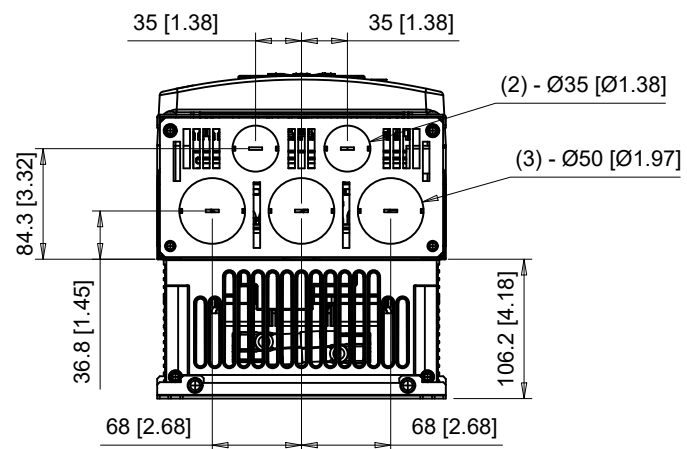


**Detail A**  
Top mounting hole dimensions  
Scale 1:1



The dimensions shown are for an IP20 Type Drive that has been converted to a NEMA Type 1 Drive by adding the parts from NEMA 1 Kit part number 900-192-121-003

C/C:	INPUT VOLTAGE	WEIGHT	COOLING
GA80□	3-PHASE (VAC)	Kg (lb)	FANS
4060□□□	380 TO 480	13 (28.7)	2

□ denotes A-Z

1	REVISED KIT PART NUMBER
0	INITIAL RELEASE

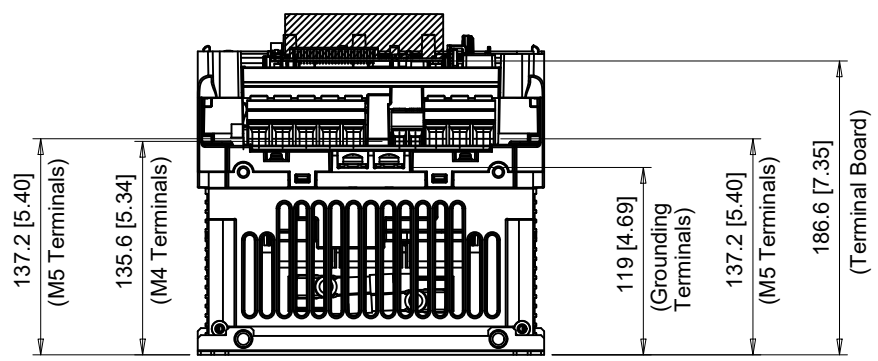
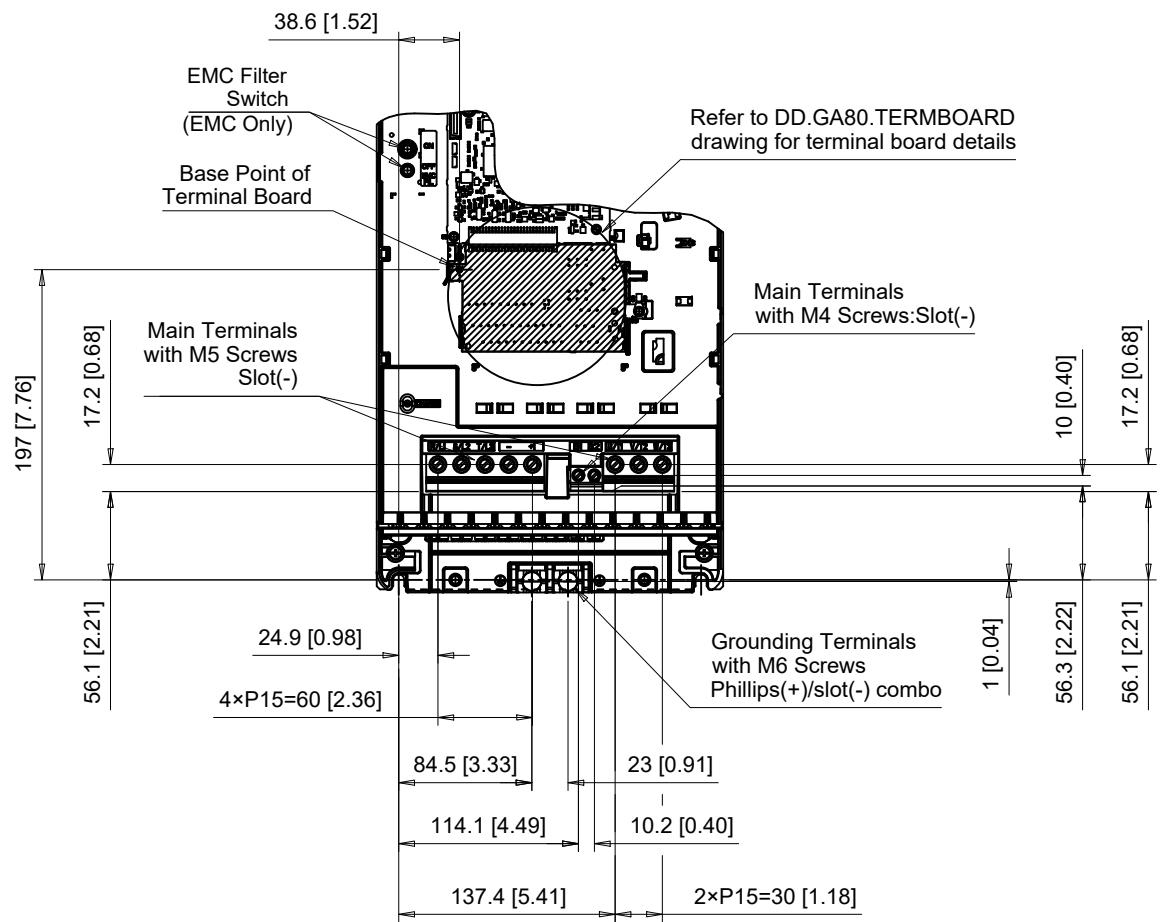


	UNITS MM [IN]
	SCALE 1:6

DRWN.	J. MATTAS	6-28-18
CHKD.	J. PIOTROWSKI	7-9-18
TECH.	L. UDDIN	7-16-18
APRV.	J. CAIRO	8-21-18

TITLE	GA800 DIMENSION DRAWING FRAME SIZE 3.5 NEMA TYPE 1 ENCLOSURE
-------	--

SIZE	A	PAGE	1 OF 3	REV	1
DWG.NO.	DD.GA80.FR3.5.N1				



C/C: GA80□	TERMINAL SYMBOL	WIRE RANGE AWG (mm <sup>2</sup> )	TERMINAL SCREW	CLAMPING TORQUE N.m. (lb.in.)
4060□□□	R/L1, S/L2, T/L3	8 - 2 (10 - 35)	M5	4.1 - 4.5 (36 - 40)
	U/T1, V/T2, W/T3	8 - 2 (10 - 35)	M5	4.1 - 4.5 (36 - 40)
	-, +1	8 - 2 (10 - 35)	M5	4.1 - 4.5 (36 - 40)
	B1, B2	14 - 6 (2.5 - 16)	M4	1.5 - 1.7 (13.5 - 15)
	⊕	8 - 4 (10 - 25)	M6	5.4 - 6.0 (47.8 - 53.1)

□ Denotes A-Z  
 Note: Refer to applicable codes and standards for proper wire type and size.

1	REVISED KIT PART NUMBER
0	INITIAL RELEASE



UNITS MM [IN]  
 SCALE 1:5

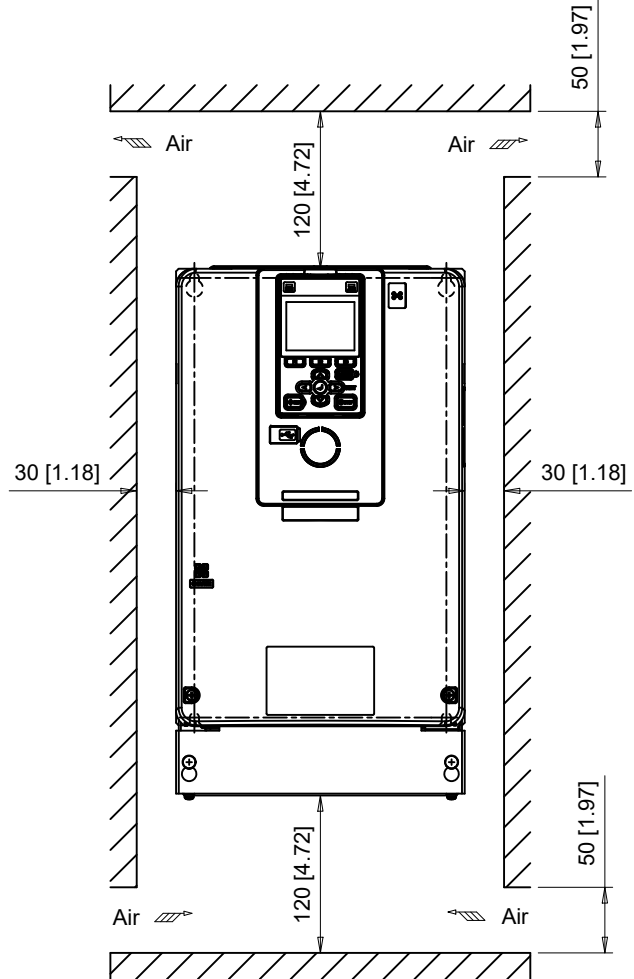
DRWN.	J. MATTAS	6-28-18
CHKD.	J. PIOTROWSKI	7-9-18
TECH.	L. UDDIN	7-16-18
APRV.	J. CAIRO	8-21-18

TITLE  
 GA800 DIMENSION DRAWING  
 FRAME SIZE 3.5  
 NEMA TYPE 1 ENCLOSURE

SIZE	A	PAGE	2 OF 3
DWG.NO.		DD.GA80.FR3.5.N1	

REV  
 1

Minimum Installation Clearances



Note:  
For alternate mounting configurations, consult manual.

1	REVISED KIT PART NUMBER
0	INITIAL RELEASE

**YASKAWA**

UNITS MM [IN]
SCALE 1:6

DRWN.	J. MATTAS	6-28-18
CHKD.	J. PIOTROWSKI	7-9-18
TECH.	L. UDDIN	7-16-18
APRV.	J. CAIRO	8-21-18

TITLE	GA800 DIMENSION DRAWING FRAME SIZE 3.5 NEMA TYPE 1 ENCLOSURE
-------	--

SIZE A	PAGE 3 OF 3
DWG.NO.	DD.GA80.FR3.5.N1

REV	1
-----	---