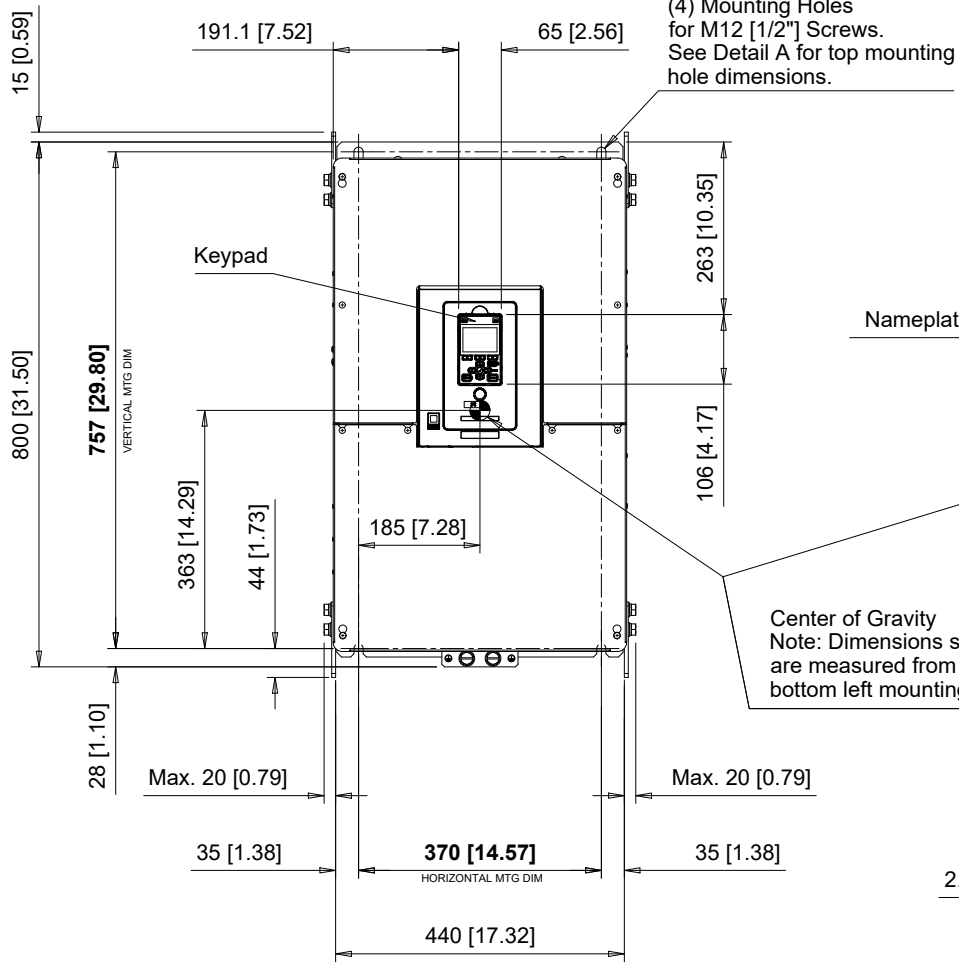
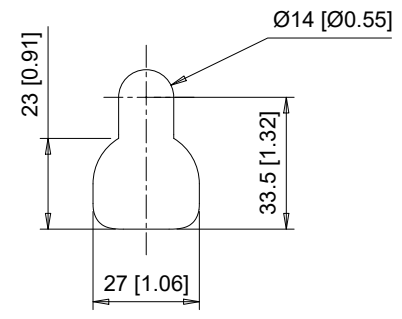
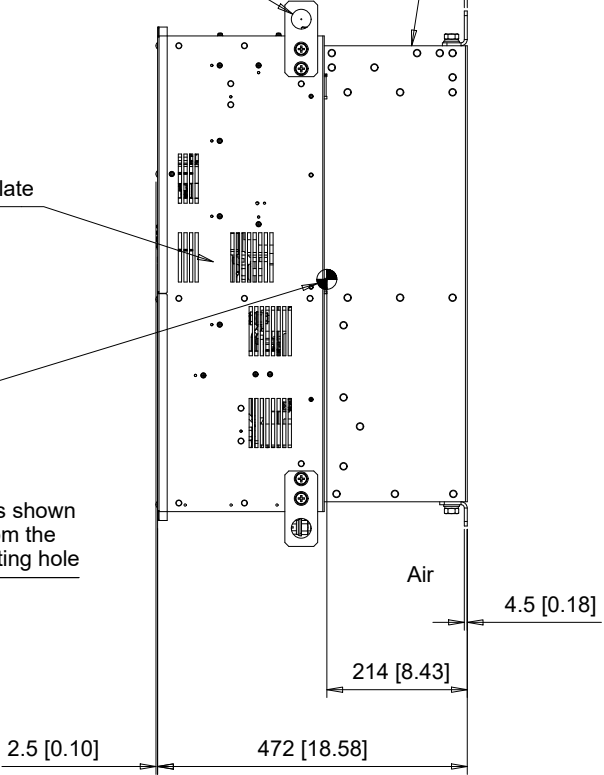


A B C D E F G H I J

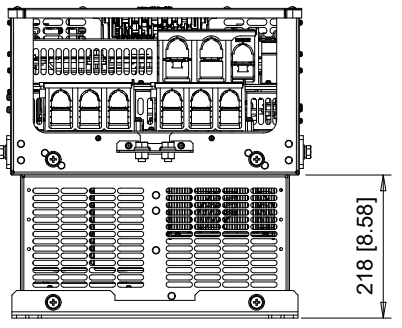


Note: Spreader bar required to avoid damage during lifting

(4)-Lifting Holes Ø30 [Ø1.18]



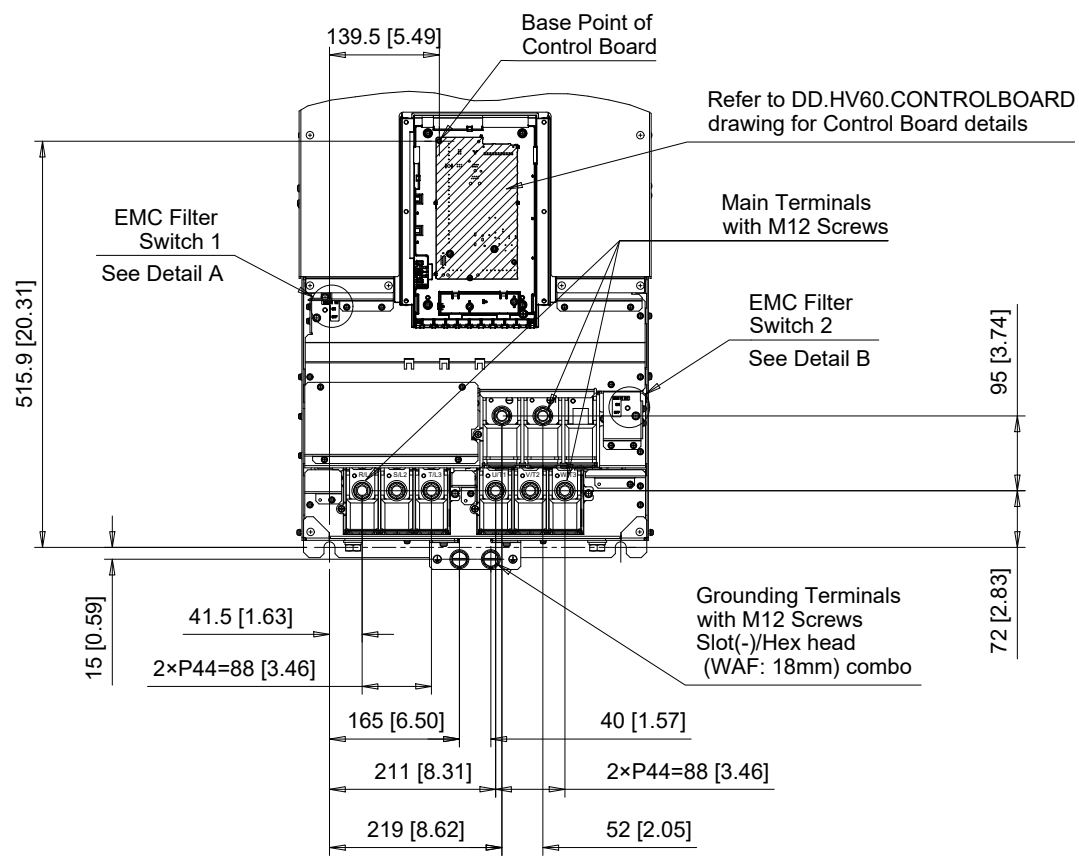
**Detail A**  
Top mounting hole dimensions  
Scale 1:2



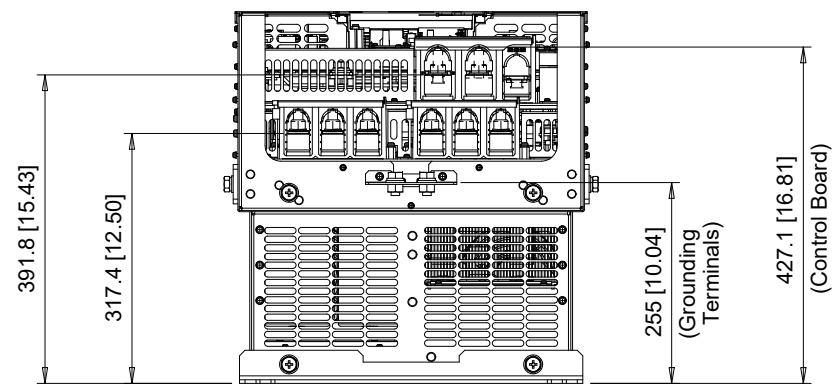
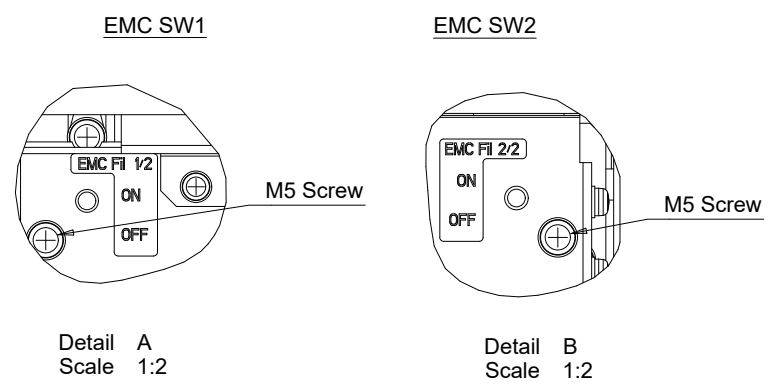
| C/C:<br>HV60□ | INPUT VOLTAGE<br>3-PHASE (VAC) | WEIGHT<br>Kg (lb) | COOLING<br>FANS |
|---------------|--------------------------------|-------------------|-----------------|
| 4302□□□       | 380 TO 480                     | 125 (276)         | 2               |

□ denotes A-Z

|                |               |                             |                               |                                     |             |                 |
|----------------|---------------|-----------------------------|-------------------------------|-------------------------------------|-------------|-----------------|
| <b>YASKAWA</b> |               | DRWN. J. MATTAS 2-20-20     | TITLE HV600 DIMENSION DRAWING | SIZE A                              | PAGE 1 OF 3 | REV<br><b>0</b> |
|                | UNITS MM [IN] | CHKD. J. PIOTROWSKI 2-26-20 | FRAME SIZE 10                 | DWG.NO.<br><b>DD.HV60.FR10.IP20</b> |             |                 |
|                | SCALE 1:12    | TECH. L. UDDIN 3-10-20      | IP20 ENCLOSURE                |                                     |             |                 |
|                |               | APRV. J. CAIRO 3-12-20      |                               |                                     |             |                 |



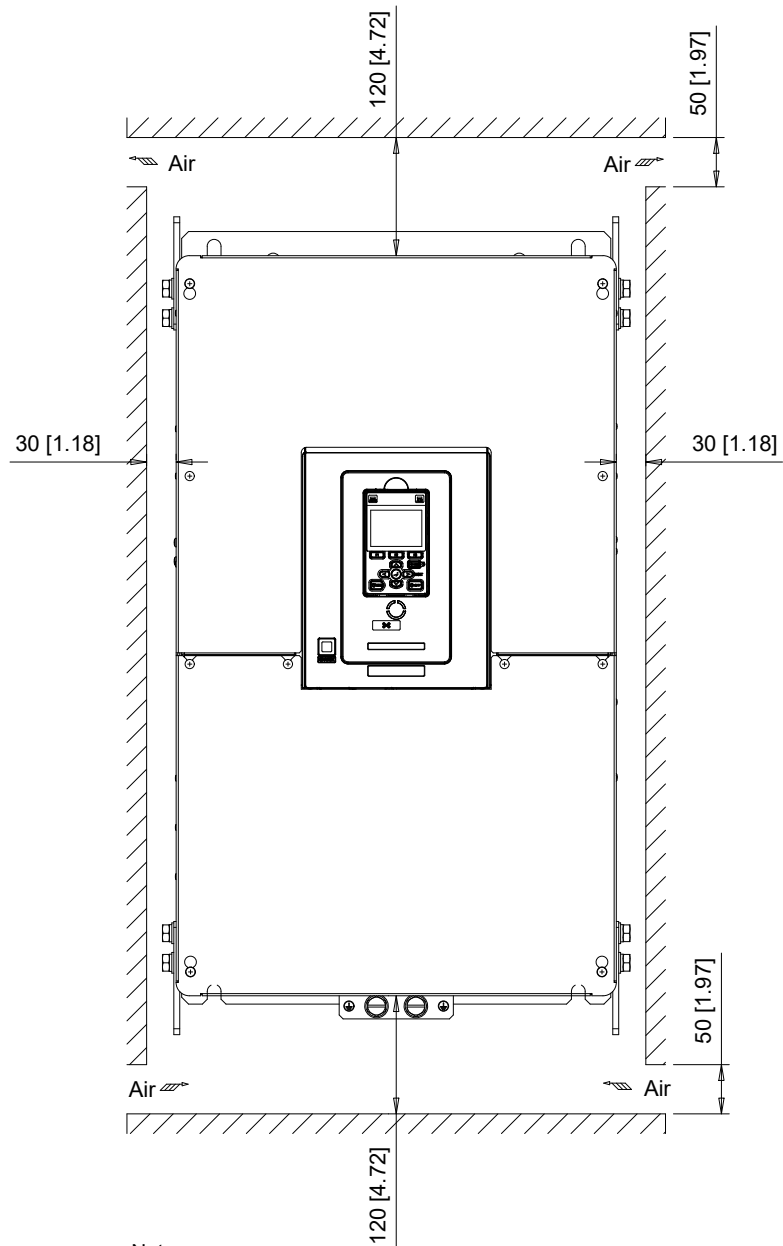
EMC FILTER SWITCHES



| C/C:    | TERMINAL SYMBOL  | WIRE RANGE AWG (mm <sup>2</sup> ) | TERMINAL SCREW | CLAMPING TORQUE N.m. (lb.in.) |
|---------|------------------|-----------------------------------|----------------|-------------------------------|
| HV60□   |                  |                                   |                |                               |
| 4302□□□ | R/L1, S/L2, T/L3 | 2/0 - 300 x 2P (70 - 150 x 2P)    | M12            | 35 (310)                      |
|         | U/T1, V/T2, W/T3 | 2/0 - 300 x 2P (70 - 150 x 2P)    | M12            | 35 (310)                      |
|         | -, +1            | 3 - 400 x 2P (30 - 205 x 2P)      | M12            | 35 (310)                      |
|         | ⊕                | 1 - 350 (40 - 185)                | M12            | 32 - 40 (283 - 354)           |

□ Denotes A-Z  
 Note: Refer to applicable codes and standards for proper wire type and size.

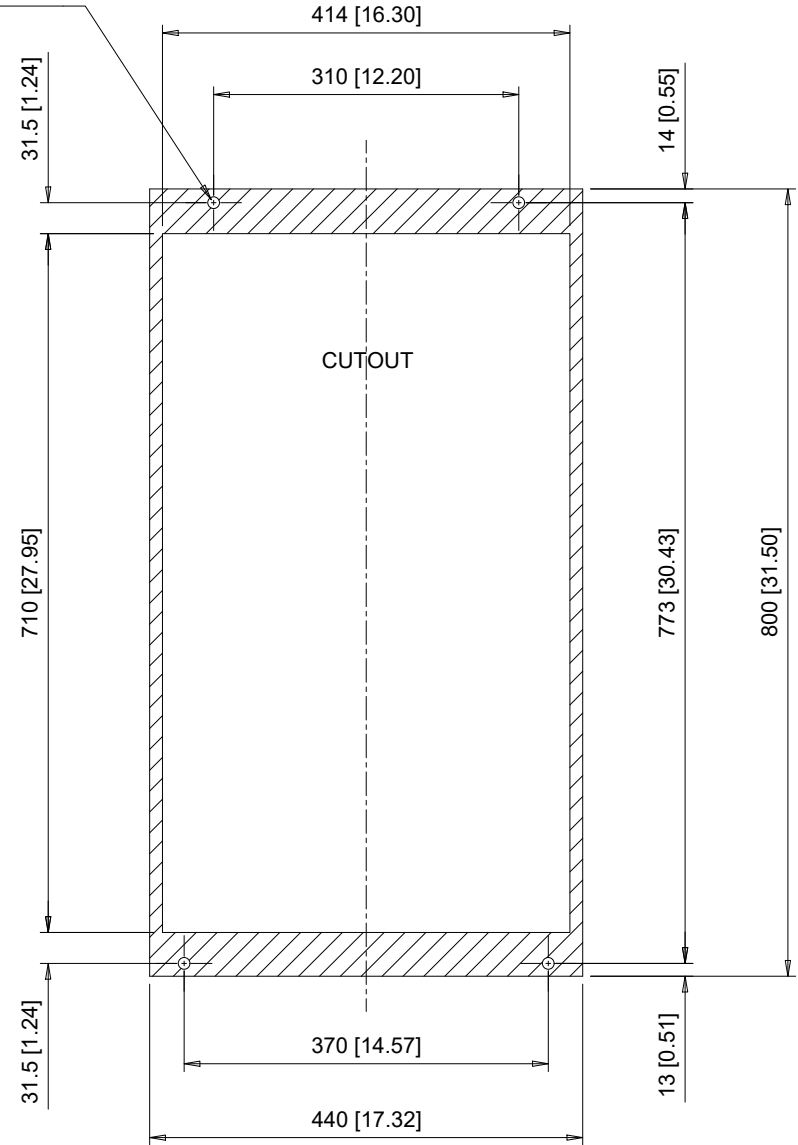
Minimum Installation Clearances



Note:  
For alternate mounting configurations, consult manual.

Panel Cutout  
For External Heatsink Mounting Configuration

(4) - M12 [1/2"]  
Threaded Hole



Notes:  
Exposed heatsink minimum clearance D = 223 [8.78].  
Refer to external heatsink instructions document for additional details.

**YASKAWA**

|               |
|---------------|
|               |
| UNITS MM [IN] |
| SCALE 1:8     |

|       |               |         |
|-------|---------------|---------|
| DRWN. | J. MATTAS     | 2-20-20 |
| CHKD. | J. PIOTROWSKI | 2-26-20 |
| TECH. | L. UDDIN      | 3-10-20 |
| APRV. | J. CAIRO      | 3-12-20 |

|       |  |
|-------|--|
| TITLE | HV600 DIMENSION DRAWING<br>FRAME SIZE 10<br>IP20 ENCLOSURE |
|-------|--|

|         |                   |      |        |
|---------|-------------------|------|--------|
| SIZE    | A                 | PAGE | 3 OF 3 |
| DWG.NO. | DD.HV60.FR10.IP20 |      |        |

|     |   |
|-----|---|
| REV | 0 |
|-----|---|