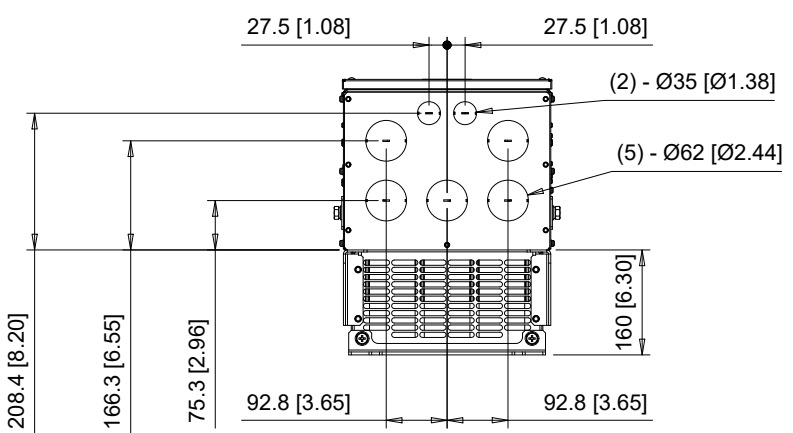
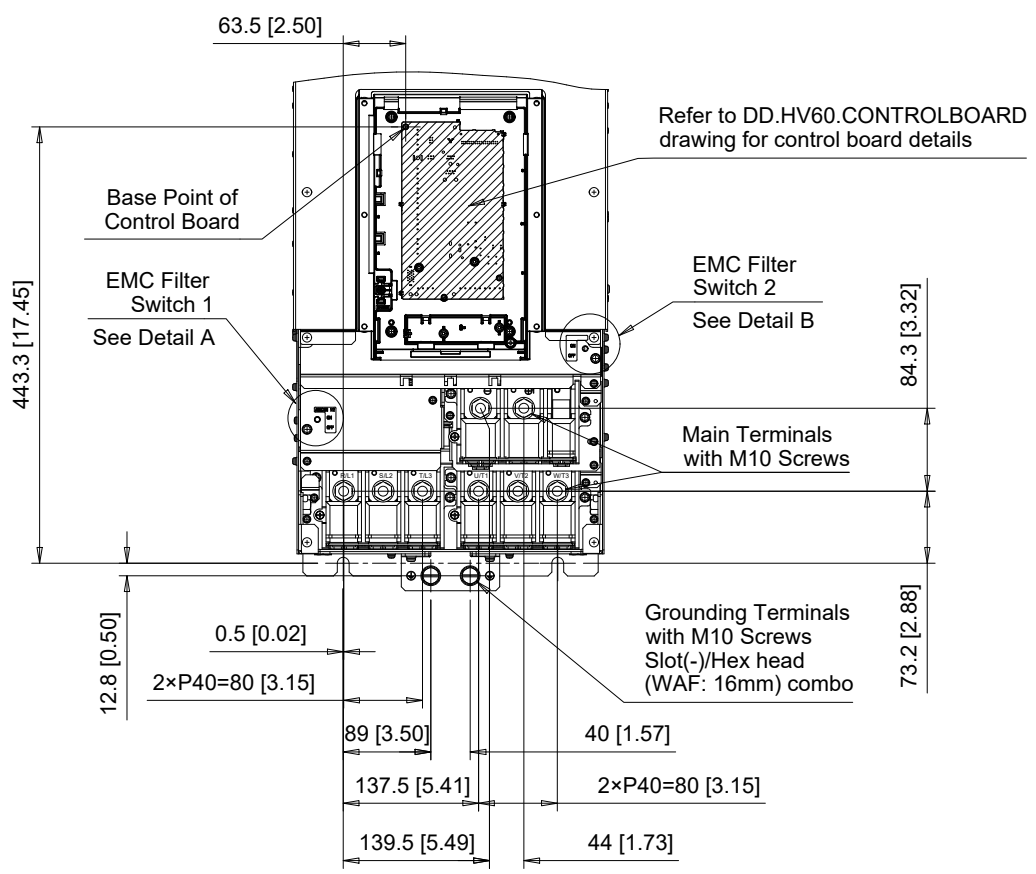


**Detail A**  
Top mounting hole dimensions  
Scale 1:1

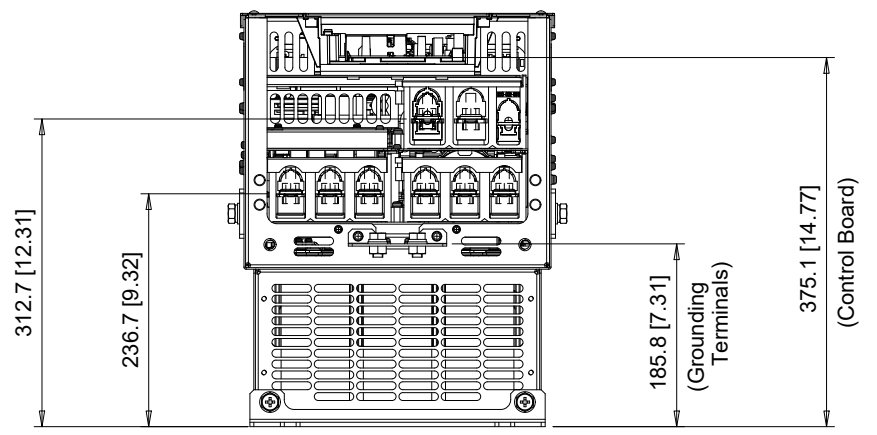
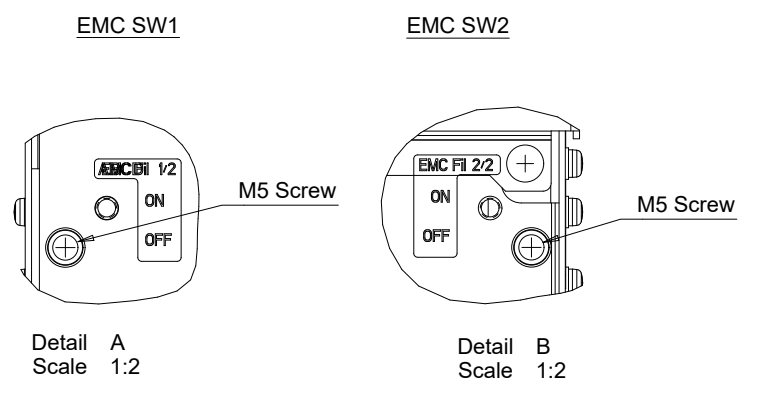


C/C: HV60□	INPUT VOLTAGE 3-PHASE (VAC)	WEIGHT Kg (lb)	COOLING FANS
2211□□□	200 TO 240	85 (187)	2
2273□□□		89 (196)	2
4180□□□	380 TO 480	86 (190)	2
4240□□□		89 (196)	2

□ denotes A-Z



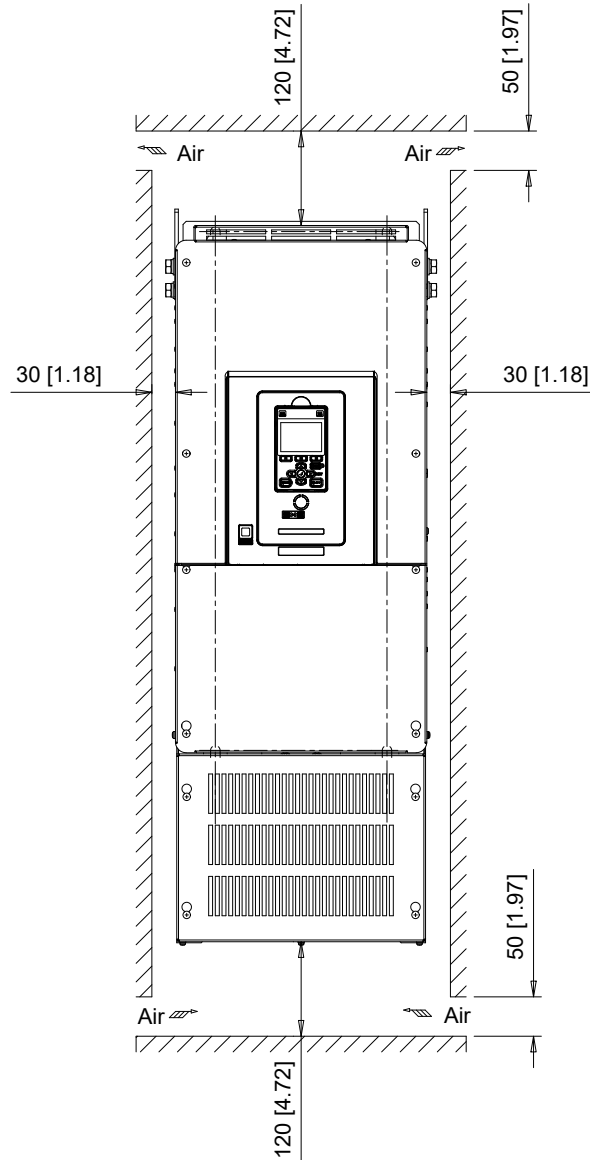
**EMC FILTER SWITCHES**



C/C: HV600	TERMINAL SYMBOL	WIRE RANGE AWG (mm <sup>2</sup> )	TERMINAL SCREW	CLAMPING TORQUE N.m. (lb.in.)
2211	R/L1, S/L2, T/L3	3 - 4/0 x 2P (30 - 120 x 2P)	M10	20 (177)
2273	U/T1, V/T2, W/T3	3 - 4/0 x 2P (30 - 120 x 2P)	M10	20 (177)
4180	-, +1	10 - 250 x 2P (6 - 120 x 2P)	M10	20 (177)
4240	⊕	2 - 350 (35 - 185)	M10	18 - 23 (159 - 204)

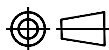
□ Denotes A-Z  
Note: Refer to applicable codes and standards for proper wire type and size.

Minimum Installation Clearances (Scale 1:10)



Note:  
For alternate mounting configurations, consult manual.

**YASKAWA**



UNITS MM [IN]  
SCALE ABOVE

DRWN.	J. MATTAS	2-20-20
CHKD.	J. PIOTROWSKI	2-26-20
TECH.	L. UDDIN	3-10-20
APRV.	J. CAIRO	3-12-20

TITLE  
HV600 DIMENSION DRAWING  
FRAME SIZE 9  
IP20/UL TYPE 1 ENCLOSURE

SIZE A PAGE 3 OF 3  
DWG.NO.  
DD.HV60.FR9.T1

REV  
0