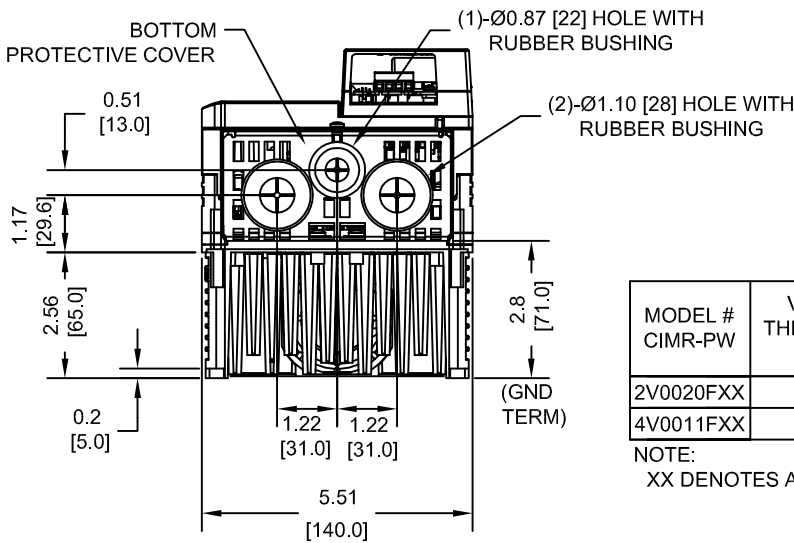
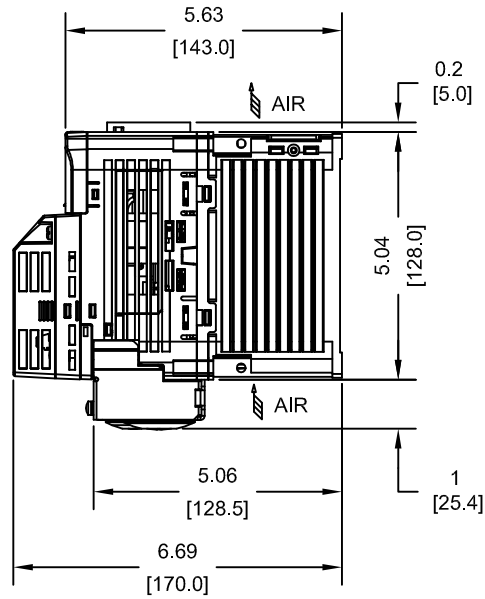
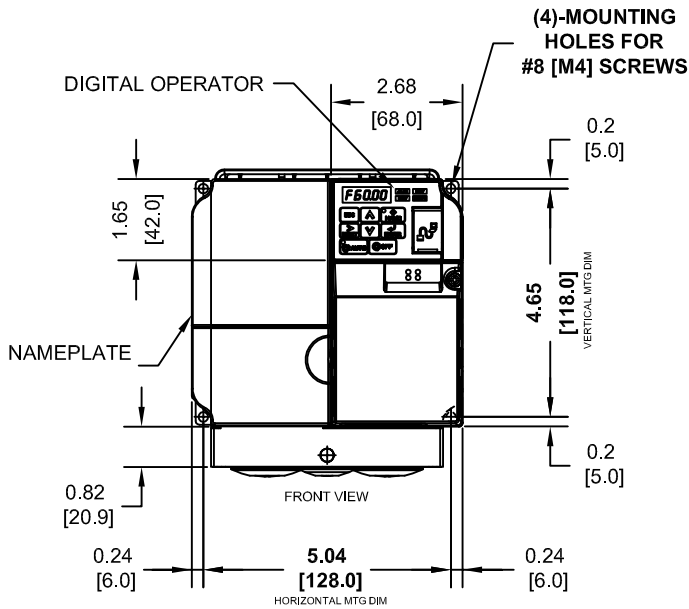
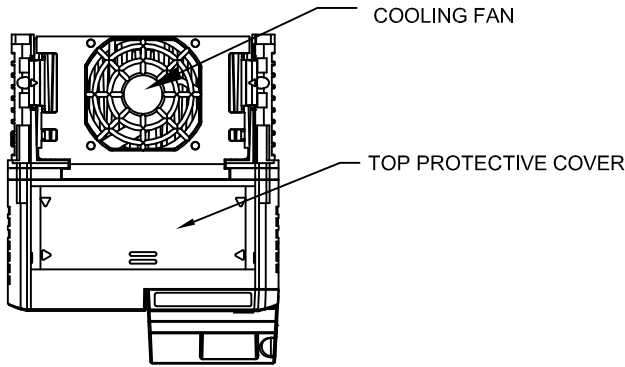


NOTE:
 PROTECTIVE COVERS ARE FACTORY INSTALLED TO THE TOP AND BOTTOM OF THE DRIVE TO MEET IP20 & NEMA TYPE 1 REQUIREMENTS, RESULTING IN AN AMBIENT TEMPERATURE RATING OF 104F(40C). REMOVE THESE COVERS WHEN OPERATING THE DRIVE WITHIN A PANEL TO OBTAIN THE MAXIMUM SURROUNDING AIR TEMPERATURE RATING OF 122F(50C). REMOVING THESE COVERS RESULTS IN AN ENCLOSURE RATING OF IP00.



MODEL # CIMR-PW	VOLTAGE THREE PHASE (VAC)	OUTPUT CURRENT (A)	WEIGHT LBS (Kg)	HEAT LOSS (W) (Fc=2kHz)		
				INT	EXT	TOT
2V0020FXX	208/240	19.6	5.7 (2.6)	46.3	98.7	145.0
4V0011FXX	380/480	11.1	5.7 (2.6)	46.0	81.7	127.7

NOTE:
 XX DENOTES AA-ZZ

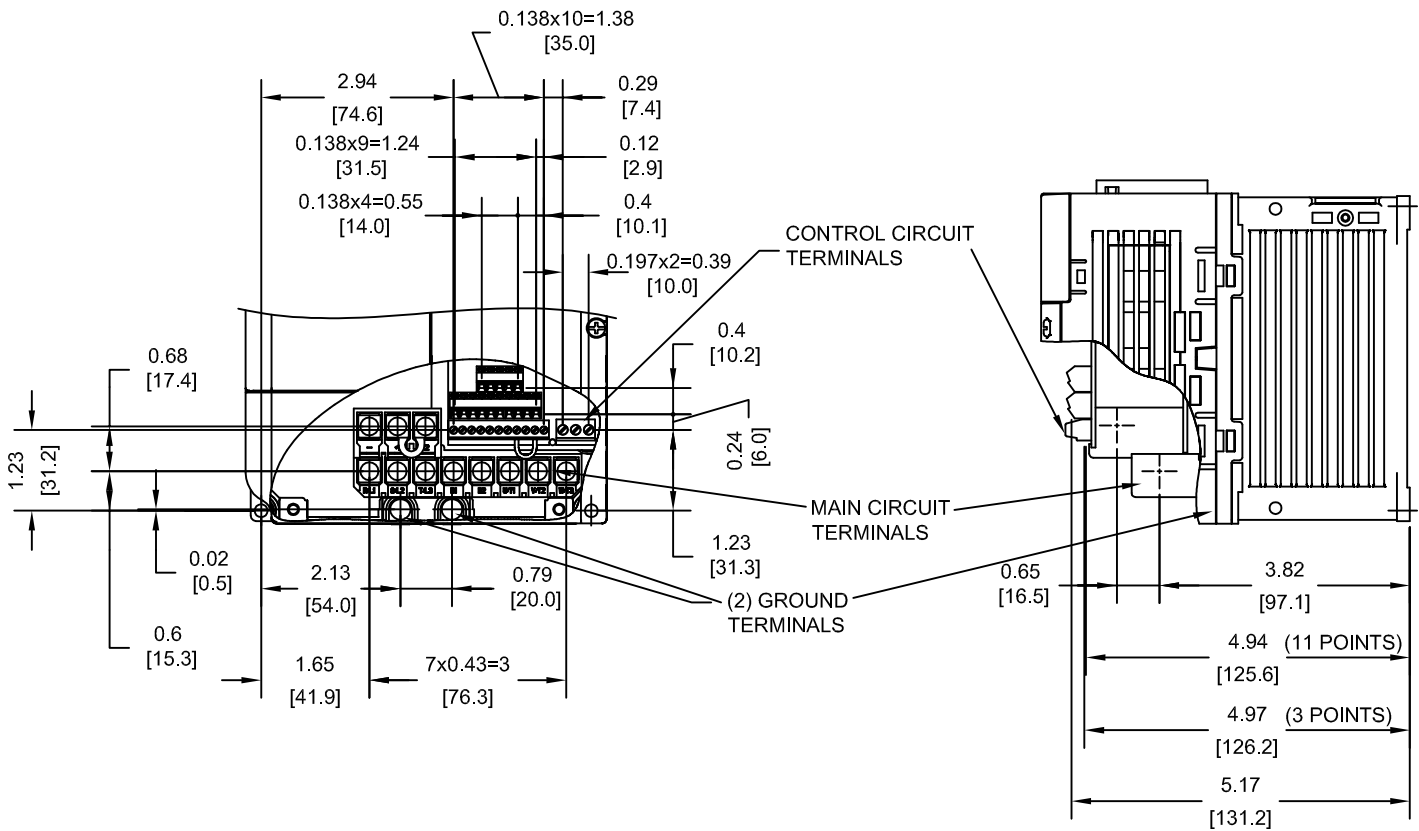
INT=INTERNAL COMPONENTS
 EXT=EXTERNAL HEATSINK
 TOT=TOTAL

FOR ADDITIONAL DETAILS AND SPECIFICATIONS, CONSULT MANUAL

TOLERANCES / REFERENCES:			DRAWN: J. MATTAS	DATE 10-28-14	TITLE: IQ PUMP MICRO DIMENSION DRAWING FRAME SIZE 11 NEMA TYPE 1 ENCLOSURE 2V0020F & 4V0011F	
			CHECKED: J. PIOTROWSKI	DATE 10-31-14		
		TECH: J. BORJA		DATE 10-31-14		
		APPROVED: J. CAIRO		DATE 11-18-14		
UNITS: IN[mm]	SCALE: 1:4	ORIGINAL DESIGN: -		DATE -	SIZE A	REVISION R00
				DATE -	PAGE 1 of 4	
				DRAWING #: DD.IQPM.FR11.N1		

THIS DOCUMENT AND INFORMATION CONTAINED
 IN IT ARE CONFIDENTIAL, AND CANNOT BE
 COPIED OR DISCLOSED IN WHOLE OR IN PART
 WITHOUT THE EXPRESS WRITTEN CONSENT
 OF YASKAWA AMERICA, INC.

TERMINAL AND WIRING DETAILS (SCALE 1:3)




TERMINAL AND WIRE SPECIFICATIONS FOR
MAIN CIRCUIT AND GROUND

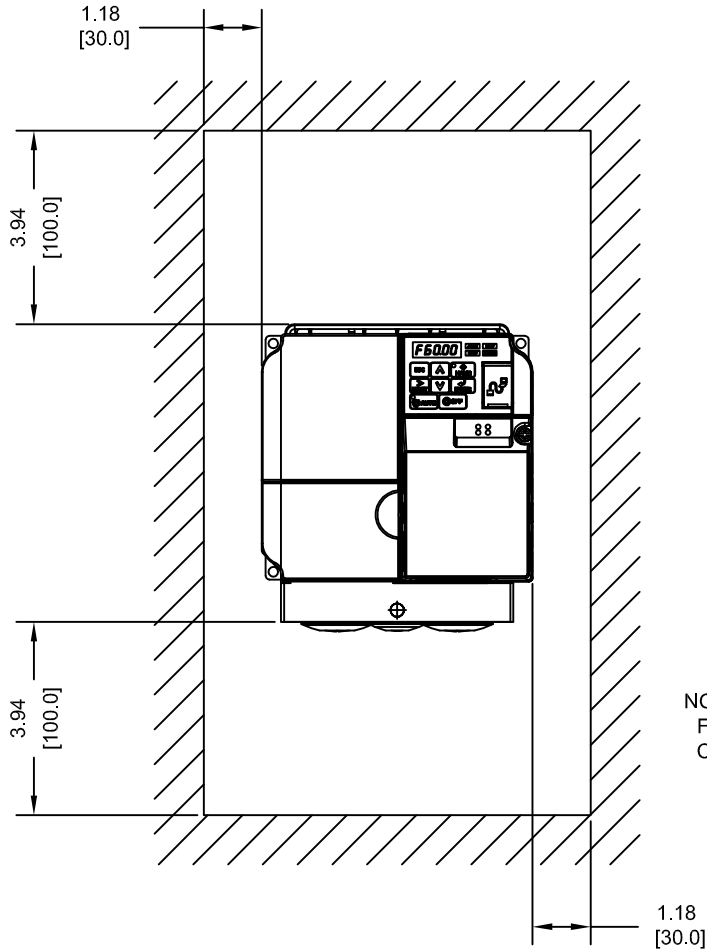
MODEL #	TERMINAL SCREW	CLAMPING TORQUE lb.in.(N.m.)	WIRE RANGE AWG(mm ²)
2V0020F	M4	10.6 TO 13.3 (1.2 TO 1.5)	22-10 (0.33-5.5)
4V0011F	M4	10.6 TO 13.3 (1.2 TO 1.5)	22-10 (0.33-5.5)

NOTE: RATINGS APPLY TO BOTH FACTORY AND FIELD WIRING
REFER TO APPLICABLE CODES FOR PROPER WIRE TYPE AND SIZE

FOR ADDITIONAL DETAILS AND SPECIFICATIONS, CONSULT MANUAL

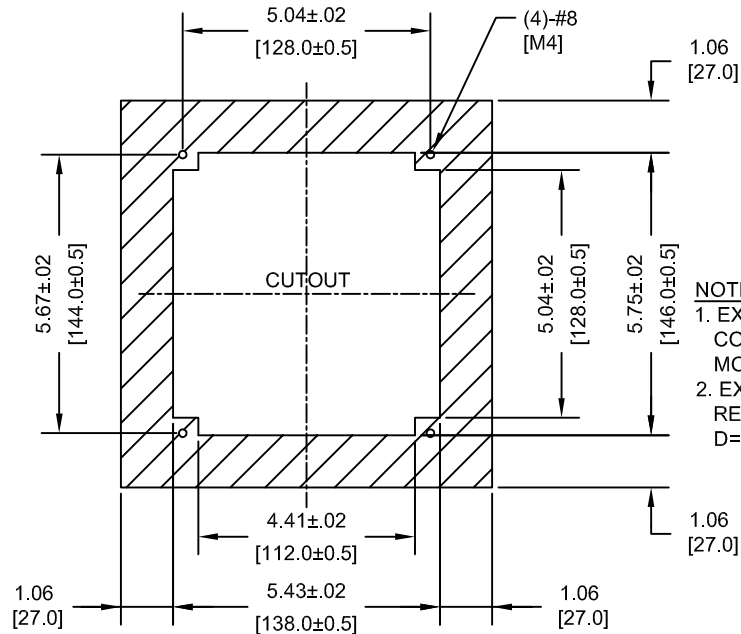
TOLERANCES / REFERENCES:		 THIS DOCUMENT AND INFORMATION CONTAINED IN IT ARE CONFIDENTIAL, AND CANNOT BE COPIED OR DISCLOSED IN WHOLE OR IN PART WITHOUT THE EXPRESS WRITTEN CONSENT OF YASKAWA AMERICA, INC.	DRAWN: J. MATTAS	DATE 10-28-14	TITLE: IQ PUMP MICRO DIMENSION DRAWING FRAME SIZE 11 NEMA TYPE 1 ENCLOSURE 2V0020F & 4V0011F
UNITS: IN[mm]	SCALE: BY VIEW		CHECKED: J. PIOTROWSKI	DATE 10-31-14	
		TECH: J. BORJA	DATE 10-31-14	SIZE A	REVISION R00
		APPROVED: J. CAIRO	DATE 11-18-14	PAGE 2 of 4	DRAWING #: DD.IQPM.FR11.N1
		ORIGINAL DESIGN: -	DATE -		

MINIMUM INSTALLATION CLEARANCES (SCALE 1:4)



NOTE:
FOR SIDE-BY-SIDE MOUNTING
CONSULT MANUAL

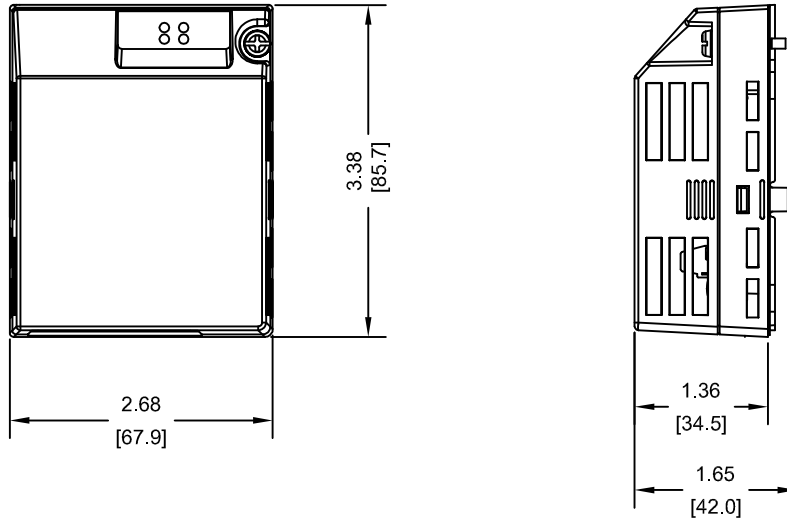
PANEL CUTOUT FOR EXTERNAL HEATSINK
MOUNTING CONFIGURATION (SCALE 1:4)



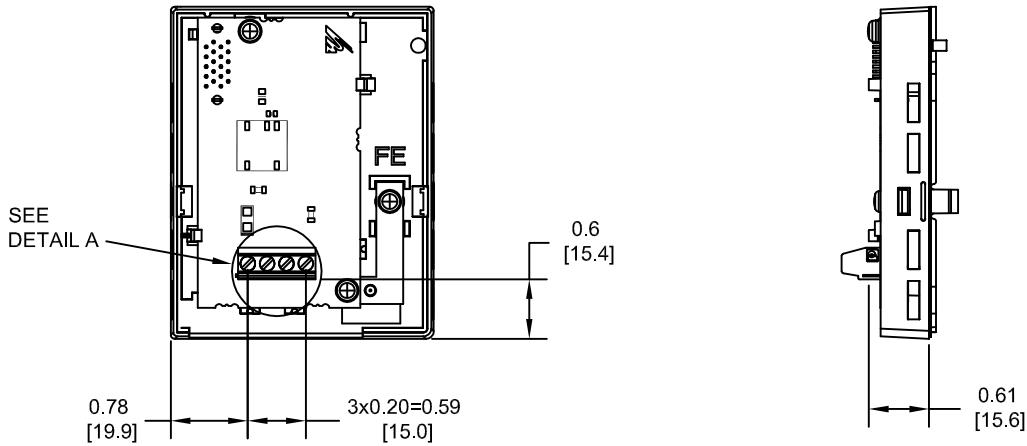
NOTES:
1. EXTERNAL HEATSINK
CONFIGURATION REQUIRES
MOUNTING KIT
2. EXPOSED HEATSINK
RECOMMENDED CLEARANCE
D=2.76" MINUS PANEL THICKNESS

TOLERANCES / REFERENCES:		<p>THIS DOCUMENT AND INFORMATION CONTAINED IN IT ARE CONFIDENTIAL, AND CANNOT BE COPIED OR DISCLOSED IN WHOLE OR IN PART WITHOUT THE EXPRESS WRITTEN CONSENT OF YASKAWA AMERICA, INC.</p>	DRAWN: J. MATTAS	DATE 10-28-14	TITLE: IQ PUMP MICRO DIMENSION DRAWING FRAME SIZE 11 NEMA TYPE 1 ENCLOSURE 2V0020F & 4V0011F	
			CHECKED: J. PIOTROWSKI	DATE 10-31-14		
			TECH: J. BORJA	DATE 10-31-14		
			APPROVED: J. CAIRO	DATE 11-18-14		
UNITS: IN[mm]	SCALE: BY VIEW	ORIGINAL DESIGN: -	DATE -	SIZE A	REVISION R00	PAGE 3 of 4
				DRAWING #: DD.IQPM.FR11.N1		

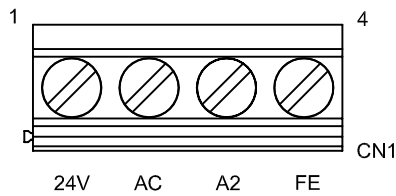
24V OPTION KIT (SCALE 1:2)



24V OPTION KIT (SCALE 1:2)
COVER REMOVED




DETAIL A (SCALE 2:1)



24V OPTION KIT - SPECIFICATIONS

TERMINAL SCREW	CLAMPING TORQUE lb.in.(N.m.)	WIRE RANGE AWG(mm ²)	OPTION KIT WEIGHT LBS(Kg)
M3	4.4 TO 5.3 (0.5 TO 0.6)	30-14 (0.05-2.0)	0.1 (0.05)

TOLERANCES / REFERENCES:		 THIS DOCUMENT AND INFORMATION CONTAINED IN IT ARE CONFIDENTIAL, AND CANNOT BE COPIED OR DISCLOSED IN WHOLE OR IN PART WITHOUT THE EXPRESS WRITTEN CONSENT OF YASKAWA AMERICA, INC.	DRAWN: J. MATTAS	DATE 10-28-14	TITLE: IQ PUMP MICRO DIMENSION DRAWING FRAME SIZE 11 NEMA TYPE 1 ENCLOSURE 2V0020F & 4V0011F	
UNITS: IN[mm]			SCALE: BY VIEW	CHECKED: J. PIOTROWSKI		DATE 10-31-14
			APPROVED: J. CAIRO	DATE 11-18-14		SIZE A
			ORIGINAL DESIGN: -	DATE -		REVISION R00
					PAGE 4 of 4	
DRAWING #: DD.IQPM.FR11.N1						