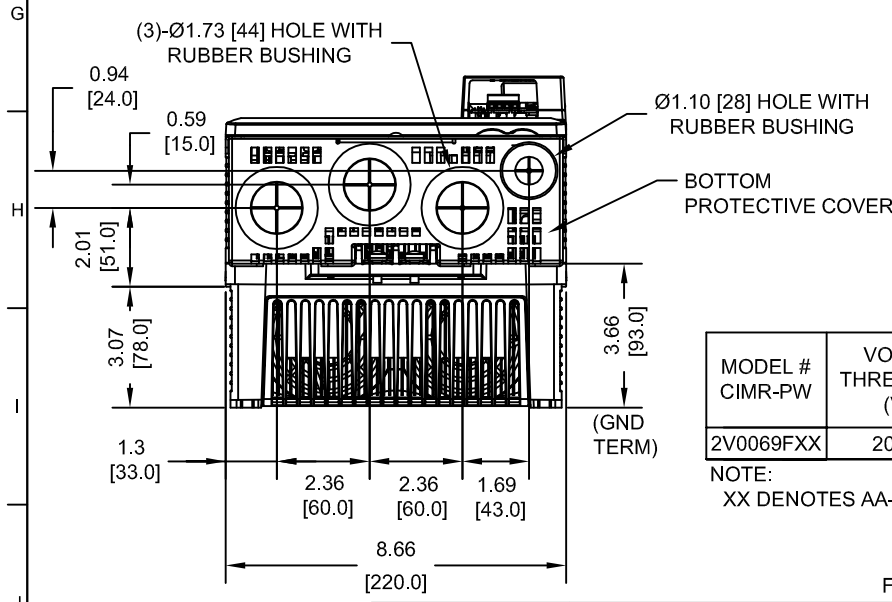
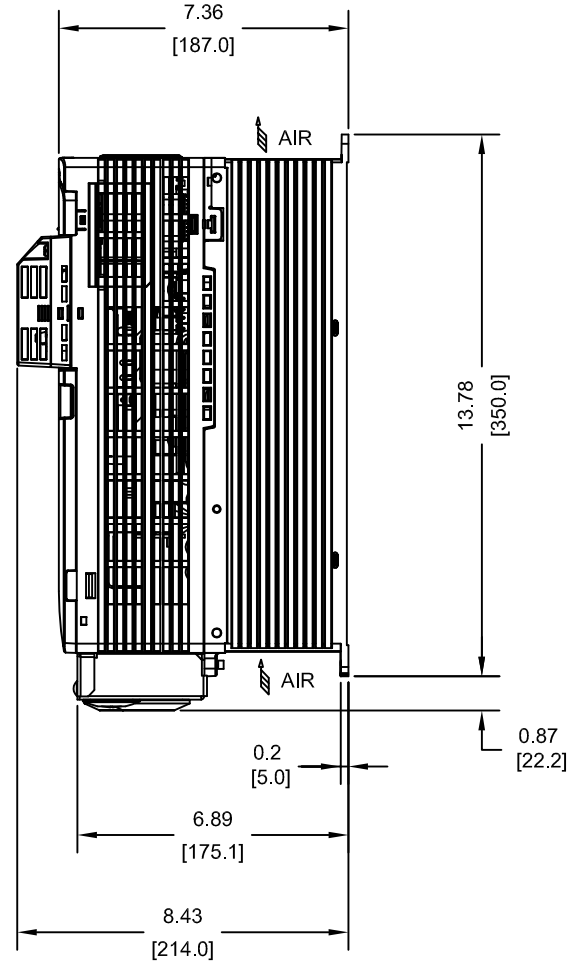
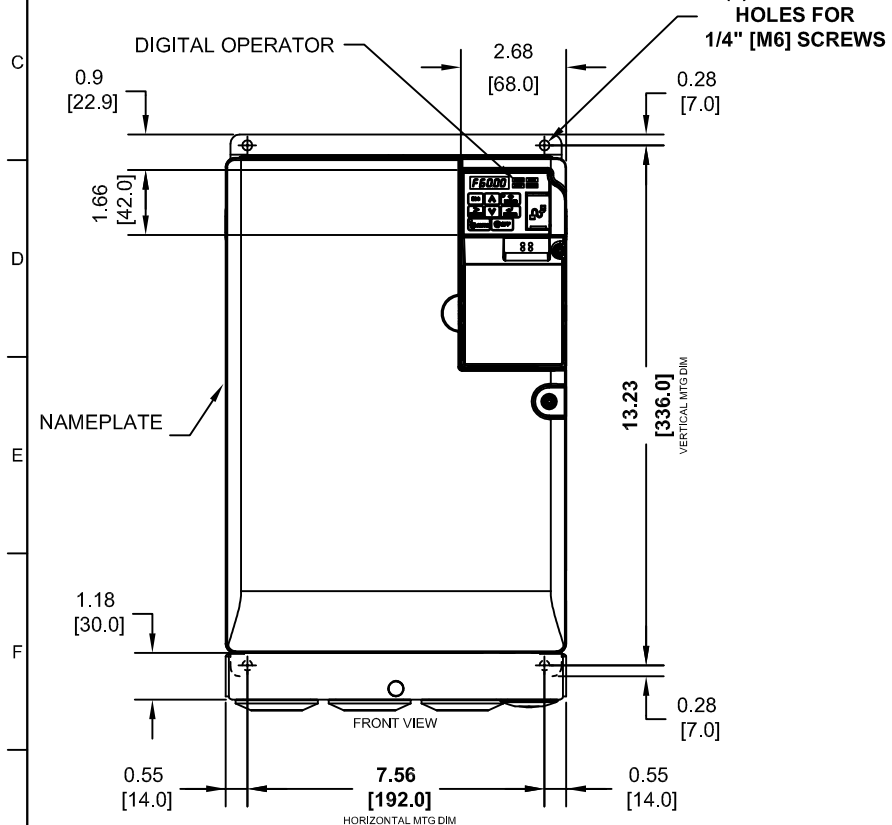


**NOTE:**  
 PROTECTIVE COVERS ARE FACTORY INSTALLED TO THE TOP AND BOTTOM OF THE DRIVE TO MEET IP20 & NEMA TYPE 1 REQUIREMENTS, RESULTING IN AN AMBIENT TEMPERATURE RATING OF 104F(40C). REMOVE THESE COVERS WHEN OPERATING THE DRIVE WITHIN A PANEL TO OBTAIN THE MAXIMUM SURROUNDING AIR TEMPERATURE RATING OF 122F(50C). REMOVING THESE COVERS RESULTS IN AN ENCLOSURE RATING OF IP00.



MODEL # CIMR-PW	VOLTAGE THREE PHASE (VAC)	OUTPUT CURRENT (A)	WEIGHT LBS (Kg)	HEAT LOSS (W) (Fc=2kHz)		
				INT	EXT	TOT
2V0069FXX	208/240	69.0	20.2 (9.2)	184.5	461.7	646.2

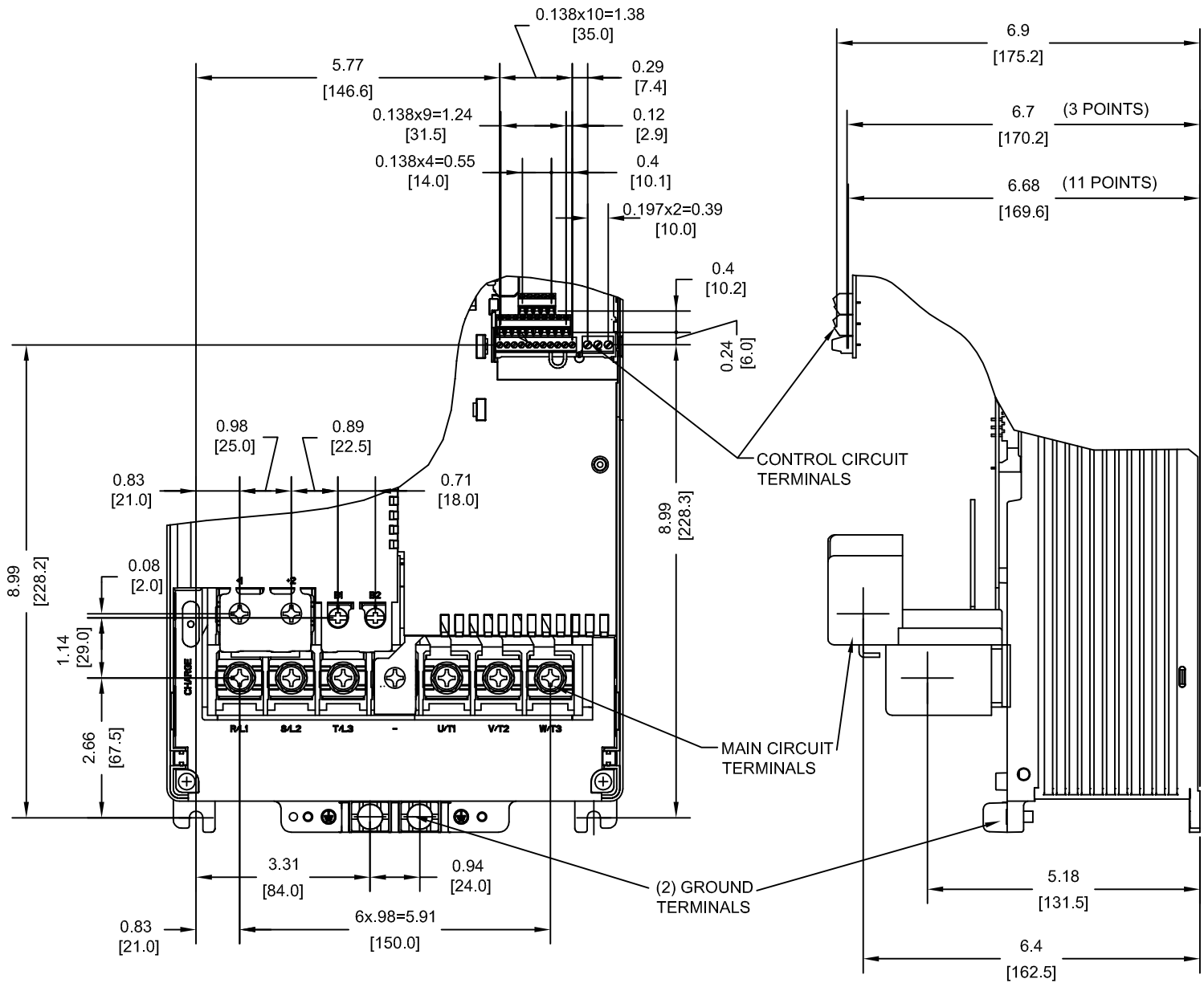
**NOTE:**  
 XX DENOTES AA-ZZ

INT=INTERNAL COMPONENTS  
 EXT=EXTERNAL HEATSINK  
 TOT=TOTAL

FOR ADDITIONAL DETAILS AND SPECIFICATIONS, CONSULT MANUAL

TOLERANCES / REFERENCES:		<p>THIS DOCUMENT AND INFORMATION CONTAINED IN IT ARE CONFIDENTIAL, AND CANNOT BE COPIED OR DISCLOSED IN WHOLE OR IN PART WITHOUT THE EXPRESS WRITTEN CONSENT OF YASKAWA AMERICA, INC.</p>	DRAWN: J. MATTAS CHECKED: J. PIOTROWSKI TECH: J. BORJA APPROVED: J. CAIRO ORIGINAL DESIGN: -	DATE 10-29-14 DATE 10-31-14 DATE 11-3-14 DATE 11-18-14 DATE -	TITLE: IQ PUMP MICRO DIMENSION DRAWING FRAME SIZE 17 NEMA TYPE 1 ENCLOSURE 2V0069F	
UNITS: IN[mm]	SCALE: 1:5		SIZE A	REVISION R00	PAGE 1 of 4	
			DRAWING #: <b>DD.IQPM.FR17.N1</b>			

TERMINAL AND WIRING DETAILS (SCALE 1:3)



TERMINAL AND WIRE SPECIFICATIONS FOR  
MAIN CIRCUIT AND GROUND

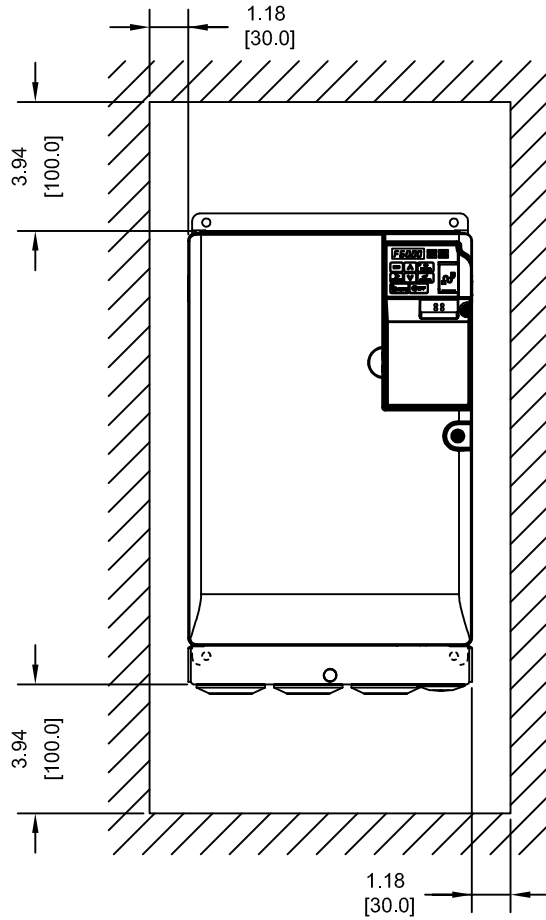
MODEL # CIMR-PW	TERMINAL SYMBOL	TERMINAL SCREW	CLAMPING TORQUE lb.in.(N.m.)	WIRE RANGE AWG(mm <sup>2</sup> )
2V0069F	R/L1, S/L2, T/L3, ⊙, ⊕1, ⊕2, U/T1, V/T2, W/T3	M8	79.7 TO 97.4 (9 TO 11)	10-2 (5.5-38)
	B1, B2	M5	17.7 TO 22.1 (2 TO 2.5)	8-6 (8-14)
	⊕	M6	35.4 TO 53.1 (4 TO 6)	8-4 (8-22)

NOTE: RATINGS APPLY TO BOTH FACTORY AND FIELD WIRING  
REFER TO APPLICABLE CODES FOR PROPER WIRE TYPE AND SIZE

FOR ADDITIONAL DETAILS AND SPECIFICATIONS, CONSULT MANUAL

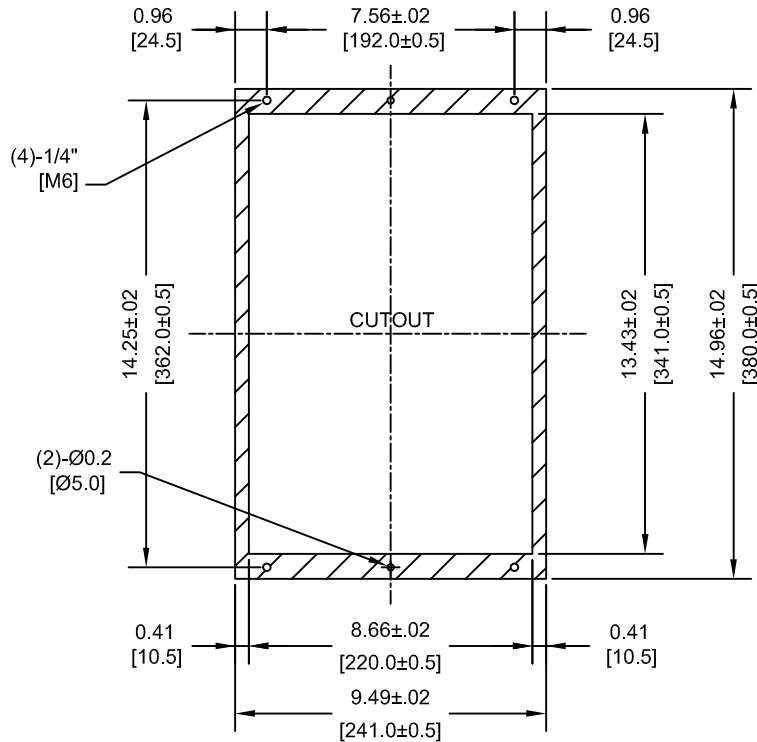
TOLERANCES / REFERENCES:		<p>THIS DOCUMENT AND INFORMATION CONTAINED IN IT ARE CONFIDENTIAL, AND CANNOT BE COPIED OR DISCLOSED IN WHOLE OR IN PART WITHOUT THE EXPRESS WRITTEN CONSENT OF YASKAWA AMERICA, INC.</p>	DRAWN: J. MATTAS	DATE: 10-29-14	TITLE: IQ PUMP MICRO DIMENSION DRAWING FRAME SIZE 17 NEMA TYPE 1 ENCLOSURE 2V0069F	
			CHECKED: J. PIOTROWSKI	DATE: 10-31-14		
			TECH: J. BORJA	DATE: 11-3-14		
			APPROVED: J. CAIRO	DATE: 11-18-14		
UNITS: IN[mm]	SCALE: BY VIEW	ORIGINAL DESIGN: -	DATE: -	SIZE: A	REVISION: R00	PAGE: 2 of 4
		DRAWING #:		DD.IQPM.FR17.N1		

MINIMUM INSTALLATION CLEARANCES (SCALE 1:6)



NOTE:  
FOR SIDE-BY-SIDE MOUNTING  
CONSULT MANUAL

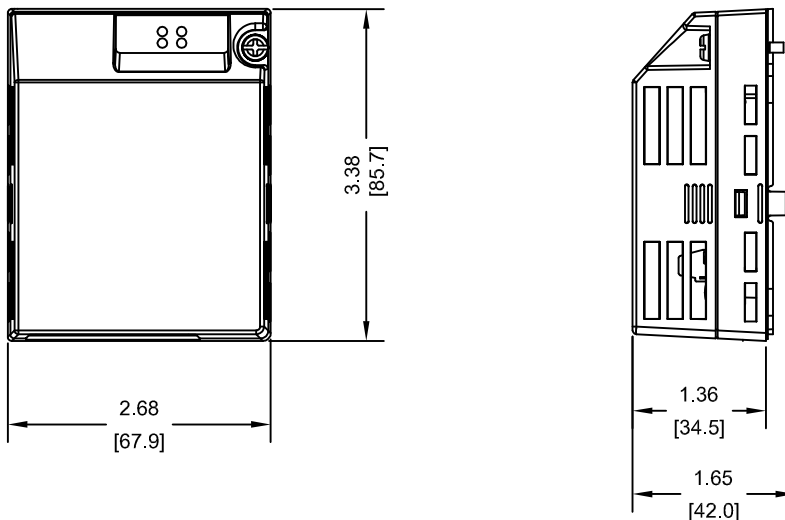
PANEL CUTOUT FOR EXTERNAL HEATSINK  
MOUNTING CONFIGURATION (SCALE 1:6)



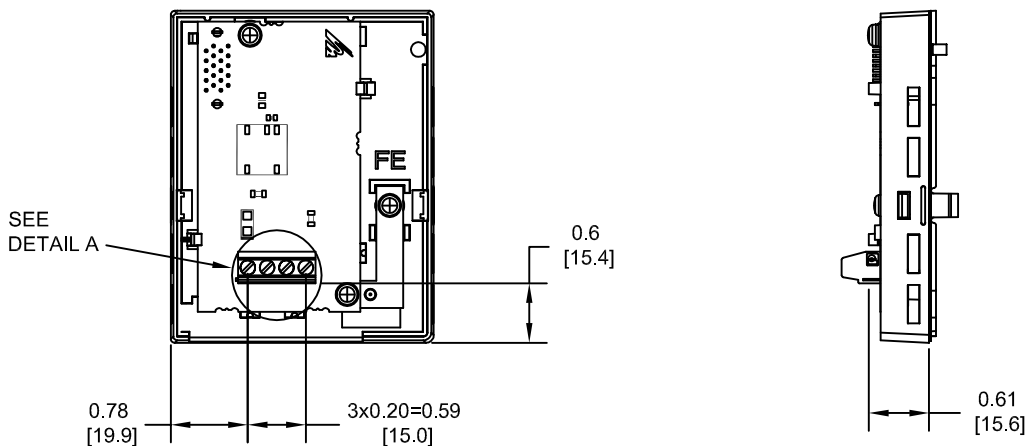
NOTES:  
1. EXTERNAL HEATSINK  
CONFIGURATION REQUIRES  
MOUNTING KIT  
2. EXPOSED HEATSINK  
RECOMMENDED CLEARANCE  
D=3.35" MINUS PANEL THICKNESS

TOLERANCES / REFERENCES:		<p><b>YASKAWA</b></p> <p>THIS DOCUMENT AND INFORMATION CONTAINED IN IT ARE CONFIDENTIAL, AND CANNOT BE COPIED OR DISCLOSED IN WHOLE OR IN PART WITHOUT THE EXPRESS WRITTEN CONSENT OF YASKAWA AMERICA, INC.</p>	DRAWN: J. MATTAS	DATE 10-29-14	TITLE: IQ PUMP MICRO DIMENSION DRAWING FRAME SIZE 17 NEMA TYPE 1 ENCLOSURE
			CHECKED: J. PIOTROWSKI	DATE 10-31-14	SIZE A
			TECH: J. BORJA	DATE 11-3-14	REVISION R00
			APPROVED: J. CAIRO	DATE 11-18-14	PAGE 3 of 4
UNITS: IN[mm]	SCALE: BY VIEW	ORIGINAL DESIGN: -	DATE -	DRAWING #: <b>DD.IQPM.FR17.N1</b>	

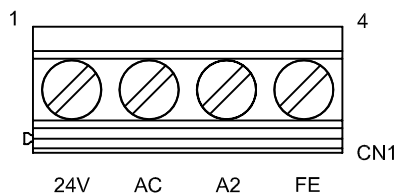
24V OPTION KIT (SCALE 1:2)



24V OPTION KIT (SCALE 1:2)  
COVER REMOVED




DETAIL A (SCALE 2:1)



24V OPTION KIT - SPECIFICATIONS

TERMINAL SCREW	CLAMPING TORQUE lb.in.(N.m.)	WIRE RANGE AWG(mm <sup>2</sup> )	OPTION KIT WEIGHT LBS(Kg)
M3	4.4 TO 5.3 (0.5 TO 0.6)	30-14 (0.05-2.0)	0.1 (0.05)

TOLERANCES / REFERENCES:		 THIS DOCUMENT AND INFORMATION CONTAINED IN IT ARE CONFIDENTIAL, AND CANNOT BE COPIED OR DISCLOSED IN WHOLE OR IN PART WITHOUT THE EXPRESS WRITTEN CONSENT OF YASKAWA AMERICA, INC.	DRAWN: J. MATTAS	DATE 10-29-14	TITLE: IQ PUMP MICRO DIMENSION DRAWING FRAME SIZE 17 NEMA TYPE 1 ENCLOSURE 2V0069F	
UNITS: IN[mm]			SCALE: BY VIEW	CHECKED: J. PIOTROWSKI		DATE 10-31-14
			APPROVED: J. CAIRO	DATE 11-3-14		DATE 11-18-14
			ORIGINAL DESIGN: -	DATE -		DATE -
			DRAWING #: <b>DD.IQPM.FR17.N1</b>		SIZE A REVISION R00 PAGE 4 of 4	