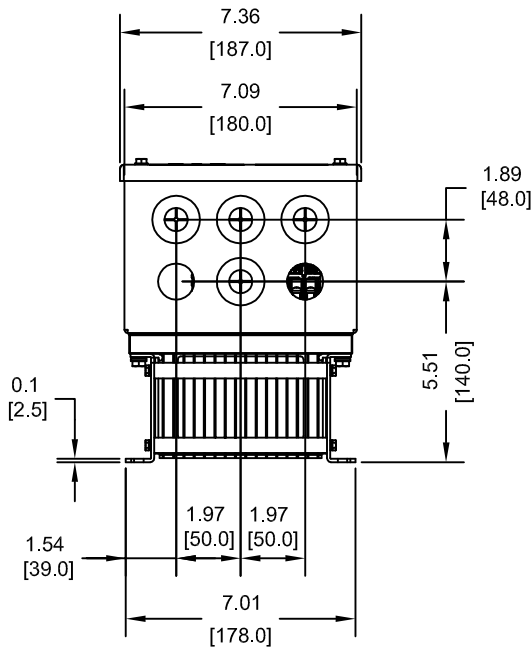
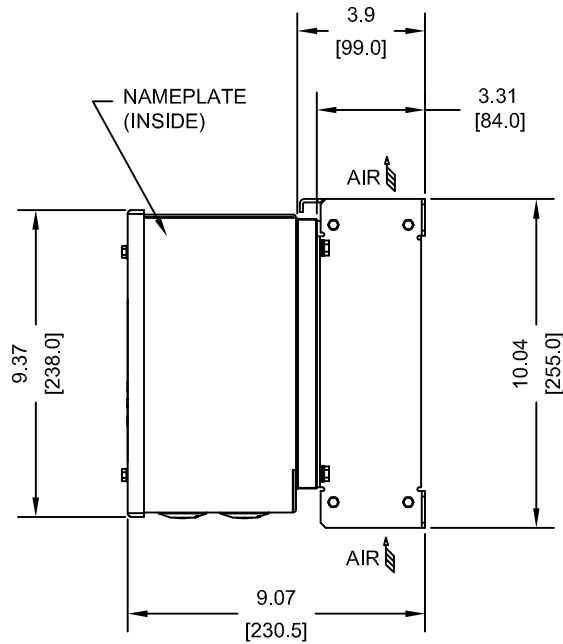
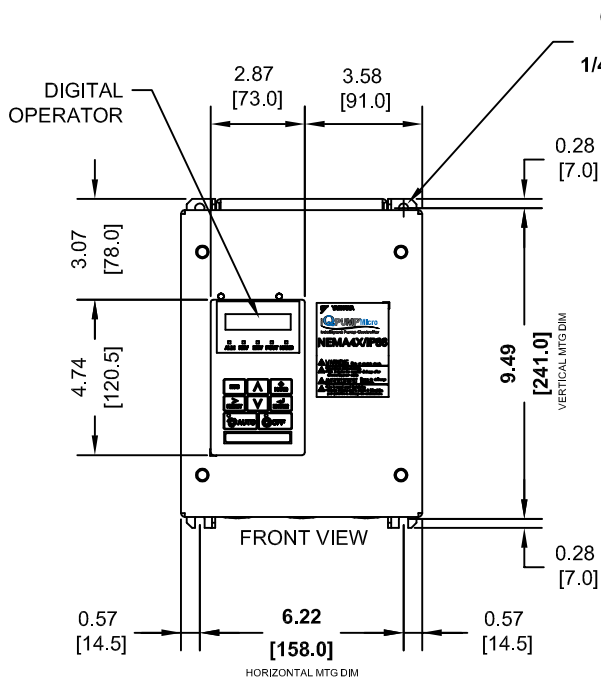


NATURAL
CONVECTION
COOLING



MODEL # CIMR-PW	VOLTAGE (VAC)	OUTPUT CURRENT (A)	WEIGHT LBS (Kg)	HEAT LOSS (W) (Fc=2kHz)		
				INT	EXT	TOT
BV0006GXX	208/240 SINGLE-PHASE	6.0	17.2 (7.8)	19.4	30.1	49.5
BV0010GXX		9.6	17.2 (7.8)	29.8	51.7	81.5
BV0012GXX		12.0	18.1 (8.2)	37.1	61.3	98.4
2V0010GXX	208/240 THREE-PHASE	9.6	17.0 (7.7)	25.8	51.7	77.5
2V0012GXX		12.0	17.0 (7.7)	30.4	61.3	91.7
2V0020GXX		19.6	17.9 (8.1)	46.3	98.7	145.0
4V0005GXX	380/480	5.4	17.0 (7.7)	21.8	44.5	66.3
4V0007GXX		6.9	17.4 (7.9)	28.4	58.5	86.9
4V0009GXX		8.8	17.4 (7.9)	31.4	63.7	95.1
4V0011GXX		11.1	17.9 (8.1)	46.0	81.7	127.7

NOTE:
XX DENOTES AA-ZZ

INT=INTERNAL COMPONENTS
EXT=EXTERNAL HEATSINK
TOT=TOTAL

FOR ADDITIONAL DETAILS AND SPECIFICATIONS, CONSULT MANUAL

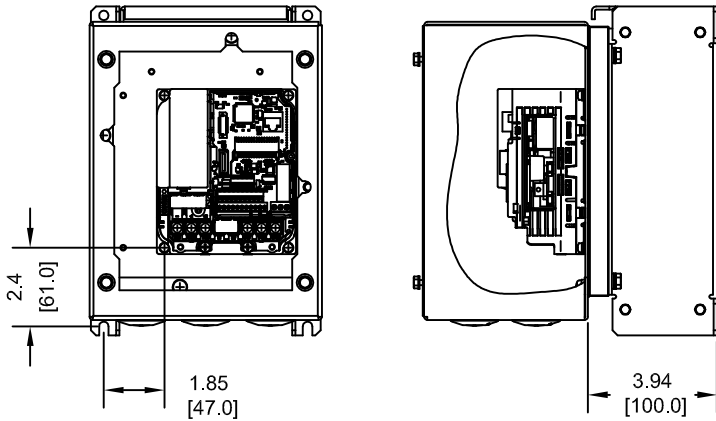
TOLERANCES / REFERENCES:			DRAWN: J. MATTAS DATE: 11-4-14	TITLE: IQ PUMP MICRO DIMENSION DRAWING FRAME SIZE 2 NEMA TYPE 4X ENCLOSURE (IP66) BV0006-0012, 2V0010-0020, 4V0005-0011
UNITS: IN[mm]	SCALE: 1:6		CHECKED: J. PIOTROWSKI DATE: 11-10-14	SIZE: A REVISION: R00 PAGE: 1 of 9
		THIS DOCUMENT AND INFORMATION CONTAINED IN IT ARE CONFIDENTIAL, AND CANNOT BE COPIED OR DISCLOSED IN WHOLE OR IN PART WITHOUT THE EXPRESS WRITTEN CONSENT OF YASKAWA AMERICA, INC.	TECH: J. BORJA DATE: 11-11-14	DRAWING #: DD.IQPM.FR2.N4
		APPROVED: J. CAIRO DATE: 11-18-14	ORIGINAL DESIGN: - DATE: -	

TERMINAL AND WIRING INFORMATION FOR: PW2V0010G

NOTE: REFER TO PAGE 9 FOR 24 VOLT OPTION KIT DETAILS

TERMINAL AND WIRING, GENERAL VIEWS (SCALE 1:6)

NOTE: FRONT COVER REMOVED

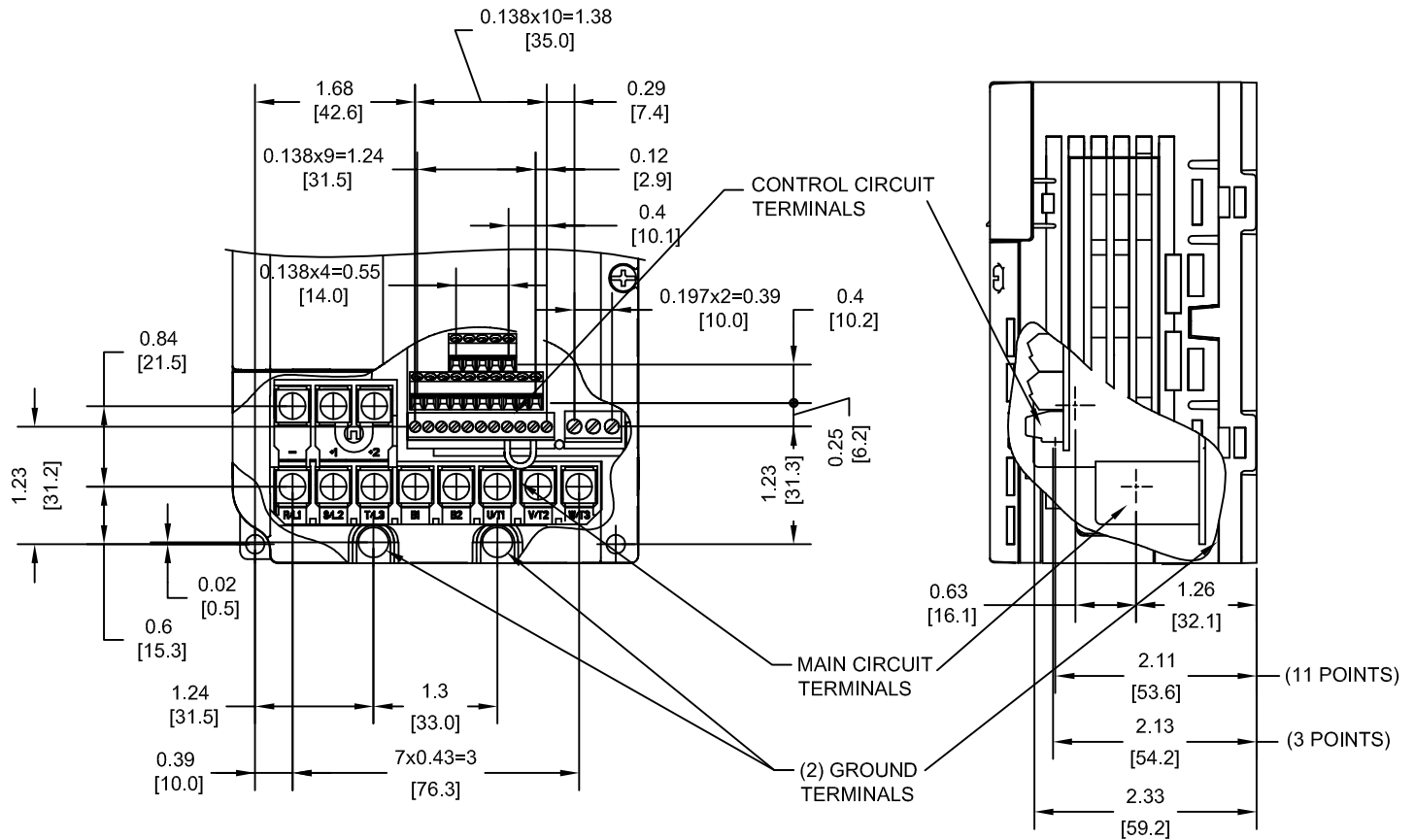


TERMINAL AND WIRE SPECIFICATIONS FOR MAIN CIRCUIT AND GROUND

MODEL #	TERMINAL SCREW	CLAMPING TORQUE lb.in.(N.m.)	WIRE RANGE AWG(mm ²)
2V0010G	M4	10.6 TO 13.3 (1.2 TO 1.5)	22-10 (0.33-5.5)

NOTE: RATINGS APPLY TO BOTH FACTORY AND FIELD WIRING
REFER TO APPLICABLE CODES FOR PROPER WIRE TYPE AND SIZE

TERMINAL AND WIRING DETAILS (SCALE 1:2)



FOR ADDITIONAL DETAILS AND SPECIFICATIONS, CONSULT MANUAL

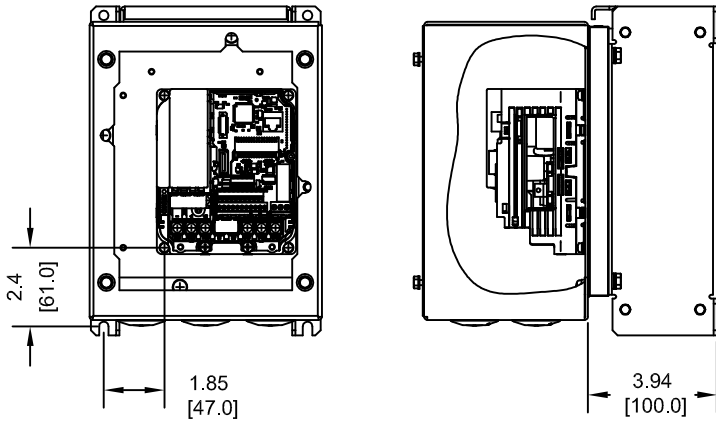
TOLERANCES / REFERENCES:			DRAWN: J. MATTAS DATE 11-4-14	TITLE: IQ PUMP MICRO DIMENSION DRAWING FRAME SIZE 2
			CHECKED: J. PIOTROWSKI DATE 11-10-14	NEMA TYPE 4X ENCLOSURE (IP66) BV0006-0012, 2V0010-0020, 4V0005-0011
		THIS DOCUMENT AND INFORMATION CONTAINED IN IT ARE CONFIDENTIAL, AND CANNOT BE COPIED OR DISCLOSED IN WHOLE OR IN PART WITHOUT THE EXPRESS WRITTEN CONSENT OF YASKAWA AMERICA, INC.	TECH: J. BORJA DATE 11-11-14	SIZE A
		APPROVED: J. CAIRO DATE 11-18-14	ORIGINAL DESIGN: -	REVISION R00
UNITS: IN[mm]	SCALE: BY VIEW			PAGE 2 of 9
				DRAWING #: DD.IQPM.FR2.N4

TERMINAL AND WIRING INFORMATION FOR: PWBV0006G & PW2V0012G

NOTE: REFER TO PAGE 9 FOR 24 VOLT OPTION KIT DETAILS

TERMINAL AND WIRING, GENERAL VIEWS (SCALE 1:6)

NOTE: FRONT COVER REMOVED

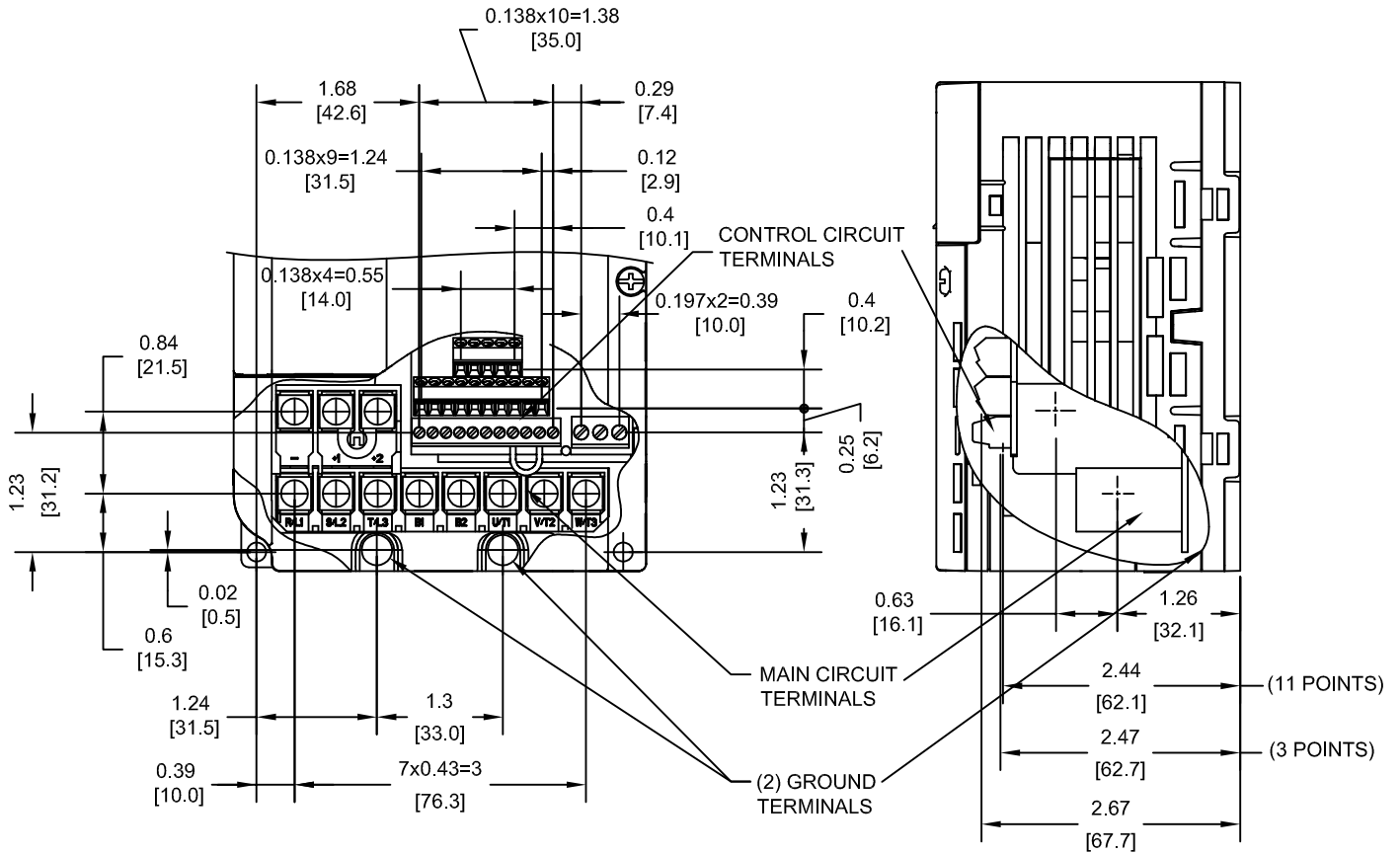


TERMINAL AND WIRE SPECIFICATIONS FOR MAIN CIRCUIT AND GROUND

MODEL #	TERMINAL SCREW	CLAMPING TORQUE lb.in.(N.m.)	WIRE RANGE AWG(mm ²)
BV0006G	M4	10.6 TO 13.3 (1.2 TO 1.5)	22-10 (0.33-5.5)
2V0012G	M4	10.6 TO 13.3 (1.2 TO 1.5)	22-10 (0.33-5.5)

NOTE: RATINGS APPLY TO BOTH FACTORY AND FIELD WIRING
REFER TO APPLICABLE CODES FOR PROPER WIRE TYPE AND SIZE

TERMINAL AND WIRING DETAILS (SCALE 1:2)



FOR ADDITIONAL DETAILS AND SPECIFICATIONS, CONSULT MANUAL

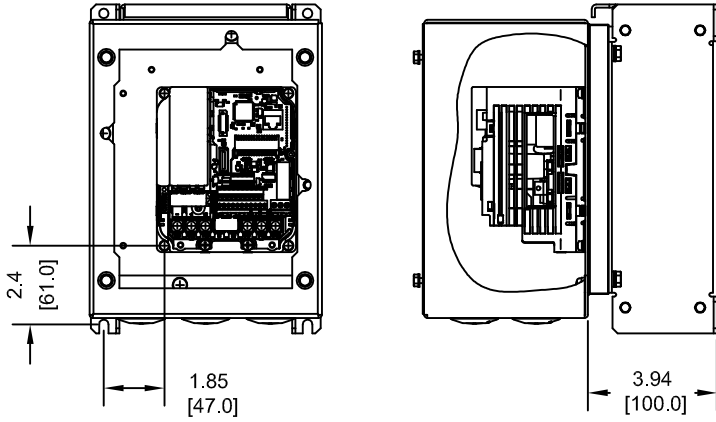
TOLERANCES / REFERENCES:			DRAWN: J. MATTAS DATE: 11-4-14	TITLE: IQ PUMP MICRO DIMENSION DRAWING FRAME SIZE 2 NEMA TYPE 4X ENCLOSURE (IP66) BV0006-0012, 2V0010-0020, 4V0005-0011
UNITS: IN[mm]	SCALE: BY VIEW		CHECKED: J. PIOTROWSKI DATE: 11-10-14	REVISION R00
THIS DOCUMENT AND INFORMATION CONTAINED IN IT ARE CONFIDENTIAL, AND CANNOT BE COPIED OR DISCLOSED IN WHOLE OR IN PART WITHOUT THE EXPRESS WRITTEN CONSENT OF YASKAWA AMERICA, INC.		TECH: J. BORJA DATE: 11-11-14	APPROVED: J. CAIRO DATE: 11-18-14	DRAWING #: DD.IQPM.FR2.N4

TERMINAL AND WIRING INFORMATION FOR: PWBV0010G

NOTE: REFER TO PAGE 9 FOR 24 VOLT OPTION KIT DETAILS

TERMINAL AND WIRING, GENERAL VIEWS (SCALE 1:6)

NOTE: FRONT COVER REMOVED

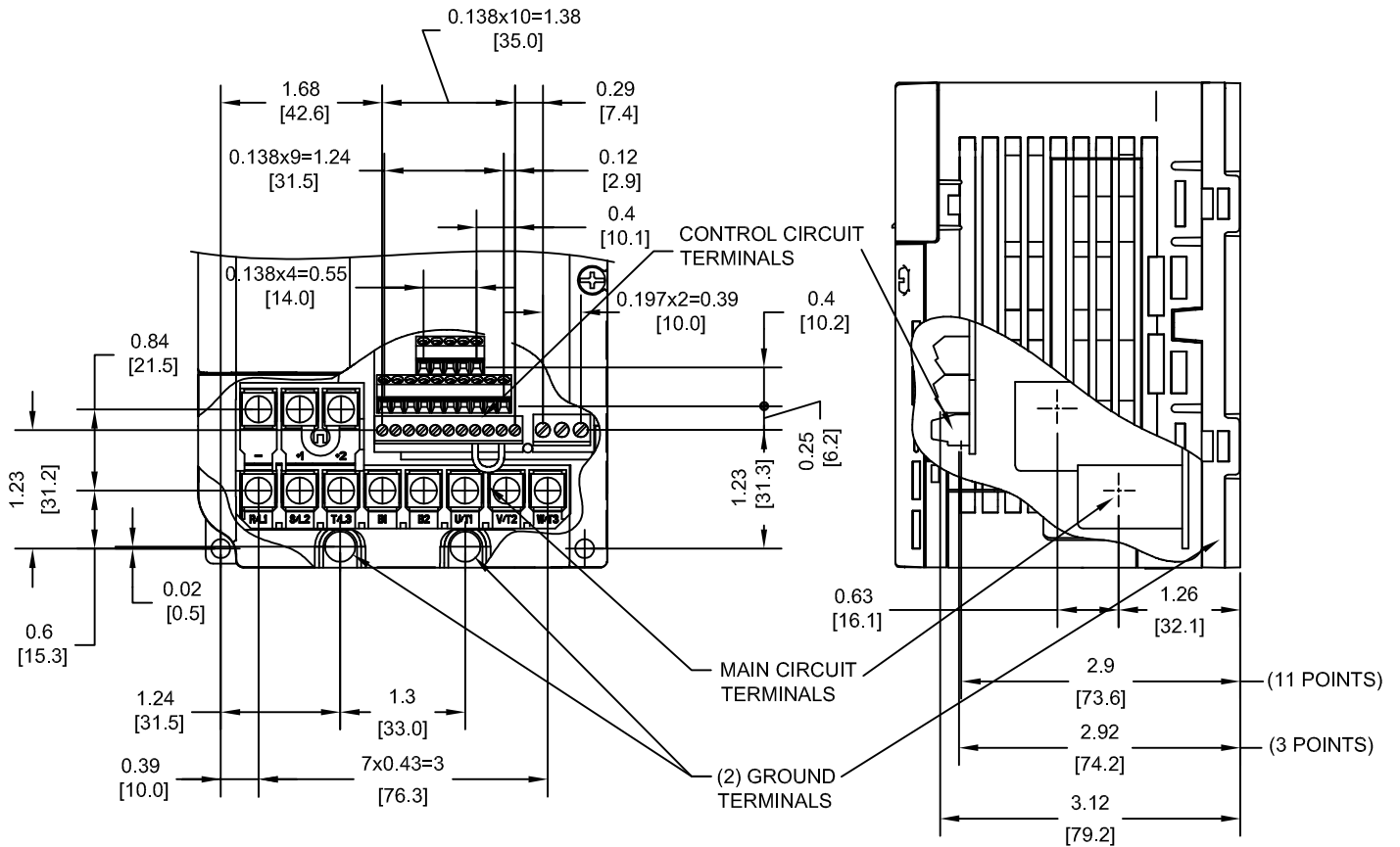


TERMINAL AND WIRE SPECIFICATIONS FOR MAIN CIRCUIT AND GROUND

MODEL #	TERMINAL SCREW	CLAMPING TORQUE lb.in.(N.m.)	WIRE RANGE AWG(mm ²)
BV0010G	M4	10.6 TO 13.3 (1.2 TO 1.5)	22-10 (0.33-5.5)

NOTE: RATINGS APPLY TO BOTH FACTORY AND FIELD WIRING
REFER TO APPLICABLE CODES FOR PROPER WIRE TYPE AND SIZE

TERMINAL AND WIRING DETAILS (SCALE 1:2)



FOR ADDITIONAL DETAILS AND SPECIFICATIONS, CONSULT MANUAL

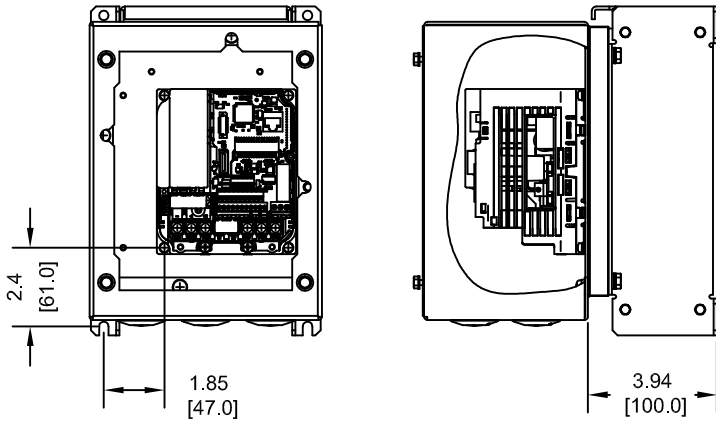
TOLERANCES / REFERENCES:			DRAWN: J. MATTAS DATE: 11-4-14	TITLE: IQ PUMP MICRO DIMENSION DRAWING FRAME SIZE 2 NEMA TYPE 4X ENCLOSURE (IP66) BV0006-0012, 2V0010-0020, 4V0005-0011
UNITS: IN[mm]			SCALE: BY VIEW	CHECKED: J. PIOTROWSKI DATE: 11-10-14
THIS DOCUMENT AND INFORMATION CONTAINED IN IT ARE CONFIDENTIAL, AND CANNOT BE COPIED OR DISCLOSED IN WHOLE OR IN PART WITHOUT THE EXPRESS WRITTEN CONSENT OF YASKAWA AMERICA, INC.		TECH: J. BORJA DATE: 11-11-14	APPROVED: J. CAIRO DATE: 11-18-14	DRAWING #: DD.IQPM.FR2.N4

TERMINAL AND WIRING INFORMATION FOR: PW4V0005G - PW4V0009G

NOTE: REFER TO PAGE 9 FOR 24 VOLT OPTION KIT DETAILS

TERMINAL AND WIRING, GENERAL VIEWS (SCALE 1:6)

NOTE: FRONT COVER REMOVED

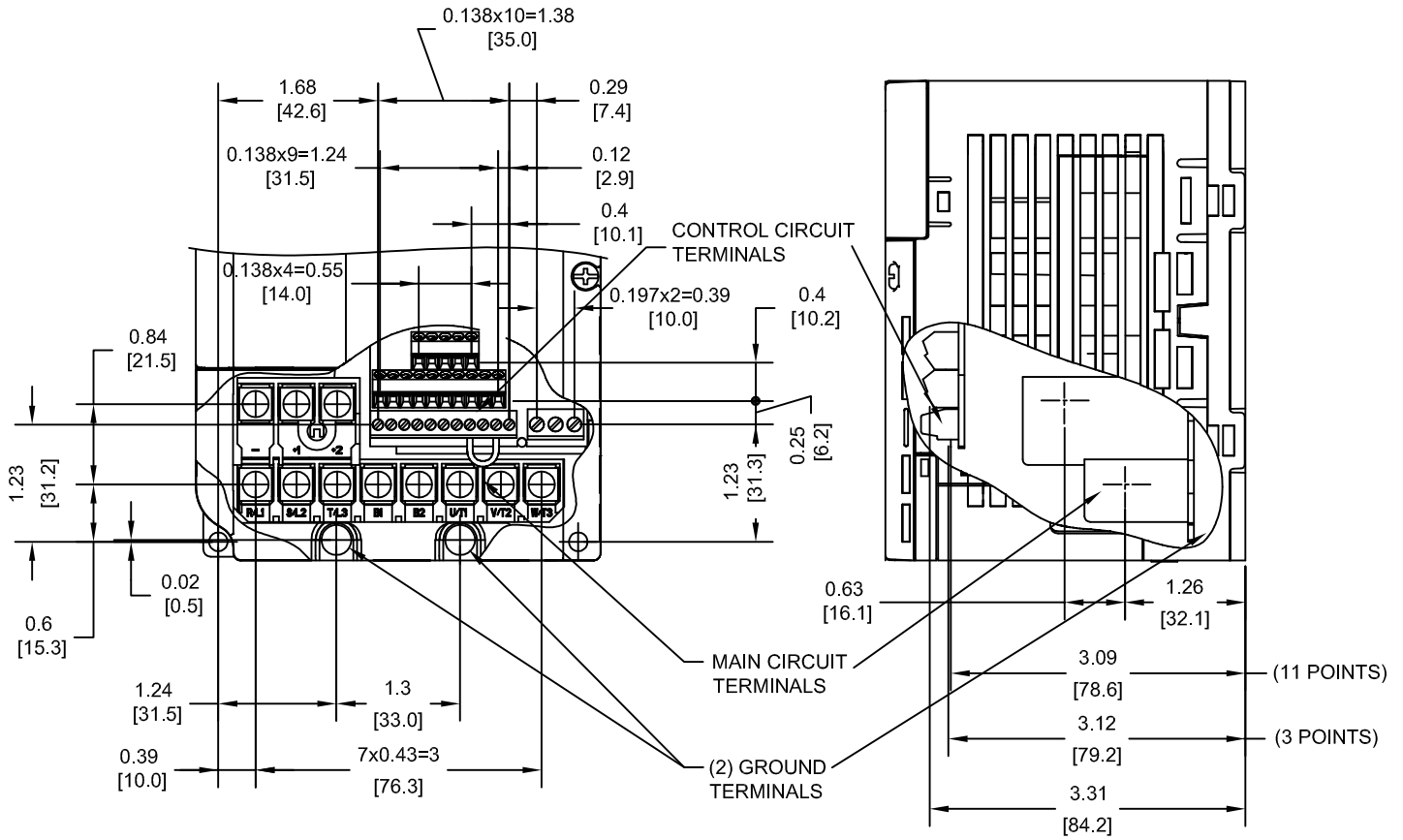


TERMINAL AND WIRE SPECIFICATIONS FOR MAIN CIRCUIT AND GROUND

MODEL # CIMR-PW	TERMINAL SCREW	CLAMPING TORQUE lb.in.(N.m.)	WIRE RANGE AWG(mm ²)
4V0005G	M4	10.6 TO 13.3 (1.2 TO 1.5)	22-10 (0.33-5.5)
4V0007G	M4	10.6 TO 13.3 (1.2 TO 1.5)	22-10 (0.33-5.5)
4V0009G	M4	10.6 TO 13.3 (1.2 TO 1.5)	22-10 (0.33-5.5)

NOTE: RATINGS APPLY TO BOTH FACTORY AND FIELD WIRING
REFER TO APPLICABLE CODES FOR PROPER WIRE TYPE
AND SIZE

TERMINAL AND WIRING DETAILS (SCALE 1:2)



FOR ADDITIONAL DETAILS AND SPECIFICATIONS, CONSULT MANUAL

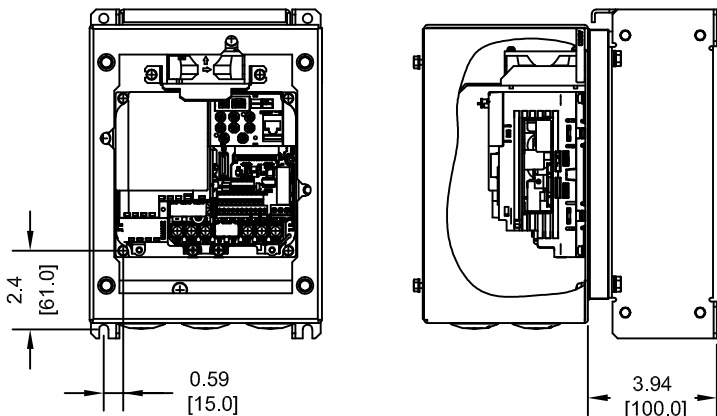
TOLERANCES / REFERENCES:			DRAWN: J. MATTAS DATE: 11-4-14	TITLE: IQ PUMP MICRO DIMENSION DRAWING FRAME SIZE 2
UNITS: IN[mm]			CHECKED: J. PIOTROWSKI DATE: 11-10-14	NEMA TYPE 4X ENCLOSURE (IP66) BV0006-0012, 2V0010-0020, 4V0005-0011
SCALE: BY VIEW		THIS DOCUMENT AND INFORMATION CONTAINED IN IT ARE CONFIDENTIAL, AND CANNOT BE COPIED OR DISCLOSED IN WHOLE OR IN PART WITHOUT THE EXPRESS WRITTEN CONSENT OF YASKAWA AMERICA, INC.	TECH: J. BORJA DATE: 11-11-14	SIZE: A REVISION: R00 PAGE: 5 of 9
		APPROVED: J. CAIRO DATE: 11-18-14	ORIGINAL DESIGN: - DATE: -	DRAWING #: DD.IQPM.FR2.N4

TERMINAL AND WIRING INFORMATION FOR: PW2V0020G & PW4V0011G

NOTE: REFER TO PAGE 9 FOR 24 VOLT OPTION KIT DETAILS

TERMINAL AND WIRING, GENERAL VIEWS (SCALE 1:6)

NOTE: FRONT COVER REMOVED

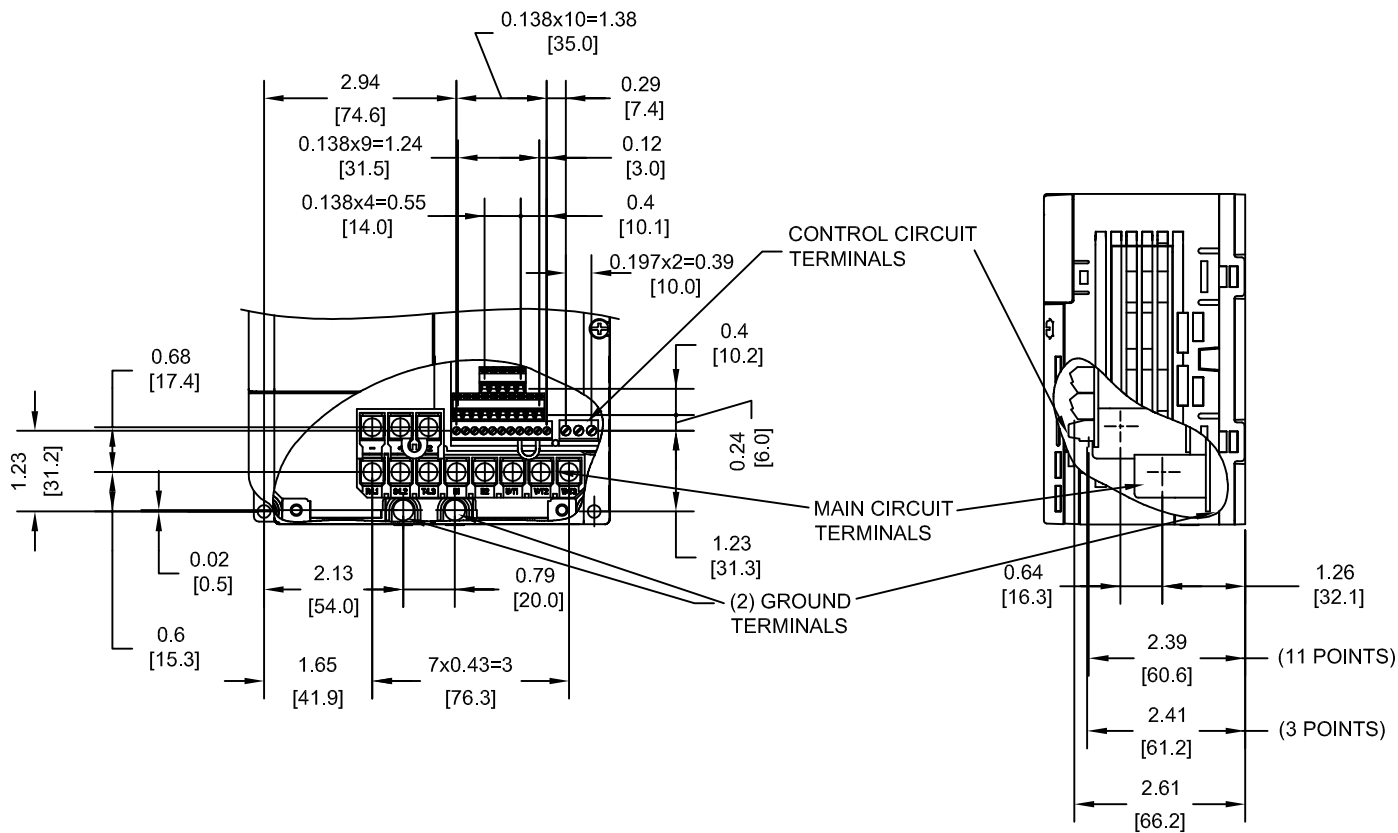


TERMINAL AND WIRE SPECIFICATIONS FOR MAIN CIRCUIT AND GROUND

MODEL # CIMR-PW	TERMINAL SCREW	CLAMPING TORQUE lb.in.(N.m.)	WIRE RANGE AWG(mm ²)
2V0020G	M4	10.6 TO 13.3 (1.2 TO 1.5)	22-10 (0.33-5.5)
4V0011G	M4	10.6 TO 13.3 (1.2 TO 1.5)	22-10 (0.33-5.5)

NOTE: RATINGS APPLY TO BOTH FACTORY AND FIELD WIRING
REFER TO APPLICABLE CODES FOR PROPER WIRE TYPE
AND SIZE

TERMINAL AND WIRING DETAILS (SCALE 1:3)



FOR ADDITIONAL DETAILS AND SPECIFICATIONS, CONSULT MANUAL

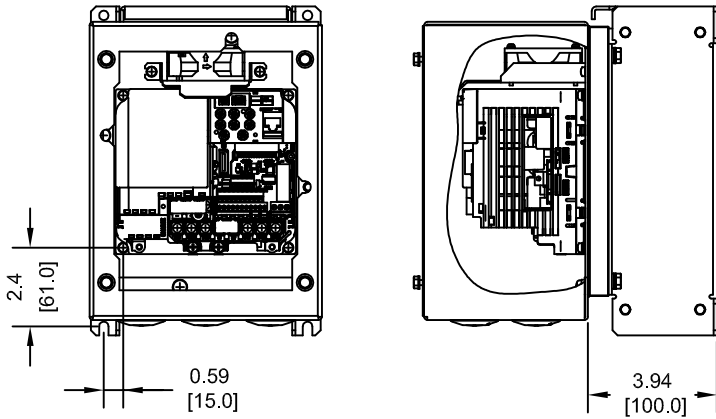
TOLERANCES / REFERENCES:			DRAWN: J. MATTAS	DATE: 11-4-14	TITLE: IQ PUMP MICRO DIMENSION DRAWING FRAME SIZE 2 NEMA TYPE 4X ENCLOSURE (IP66) BV0006-0012, 2V0010-0020, 4V0005-0011
			CHECKED: J. PIOTROWSKI	DATE: 11-10-14	
		THIS DOCUMENT AND INFORMATION CONTAINED IN IT ARE CONFIDENTIAL, AND CANNOT BE COPIED OR DISCLOSED IN WHOLE OR IN PART WITHOUT THE EXPRESS WRITTEN CONSENT OF YASKAWA AMERICA, INC.	TECH: J. BORJA	DATE: 11-11-14	SIZE: A REVISION: R00 PAGE: 6 of 9
			APPROVED: J. CAIRO	DATE: 11-18-14	
UNITS: IN[mm]	SCALE: BY VIEW		ORIGINAL DESIGN: -	DATE: -	

TERMINAL AND WIRING INFORMATION FOR: PWBV0012G

NOTE: REFER TO PAGE 9 FOR 24 VOLT OPTION KIT DETAILS

TERMINAL AND WIRING, GENERAL VIEWS (SCALE 1:6)

NOTE: FRONT COVER REMOVED

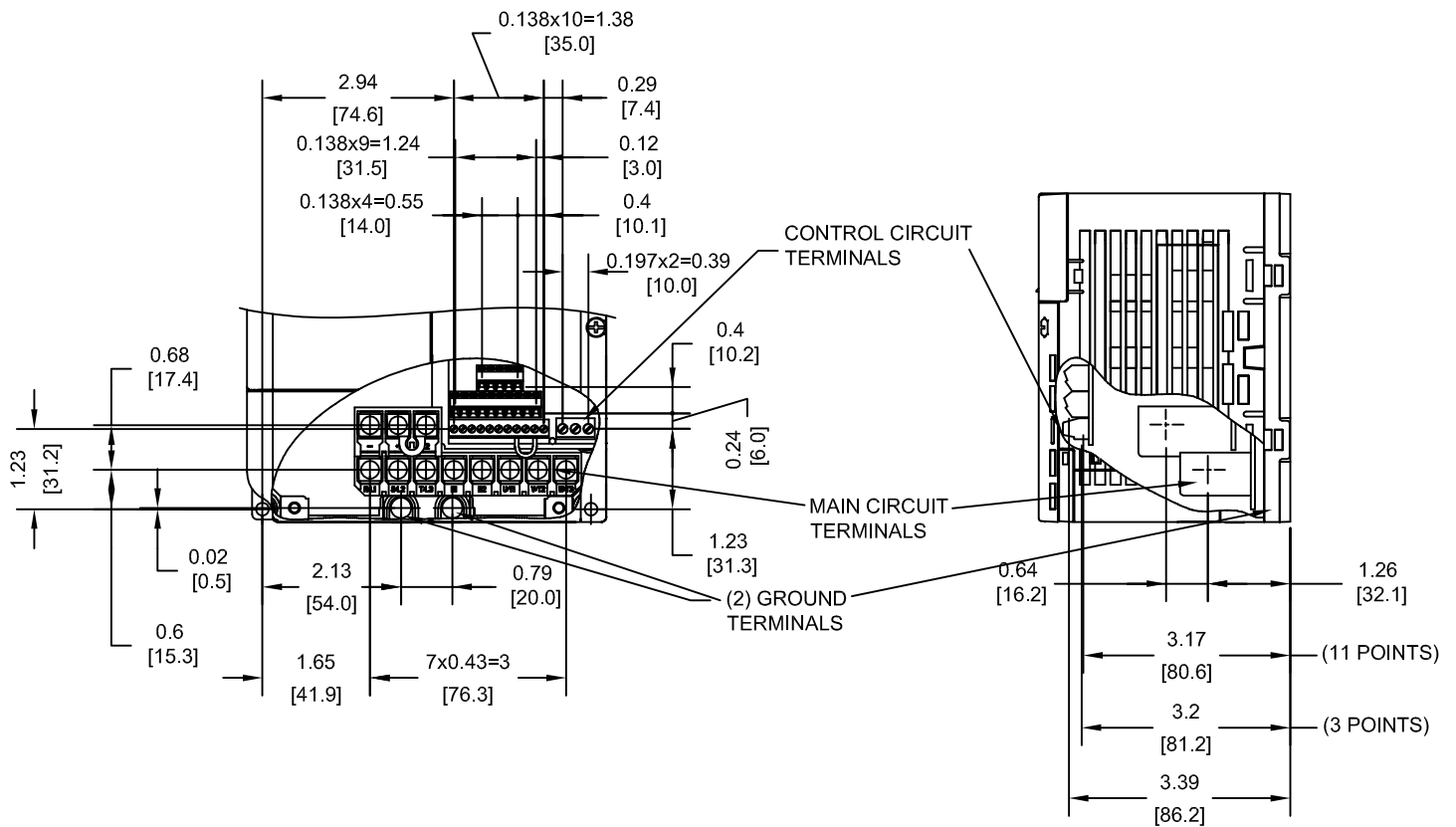


TERMINAL AND WIRE SPECIFICATIONS FOR MAIN CIRCUIT AND GROUND

MODEL #	TERMINAL SCREW	CLAMPING TORQUE lb.in.(N.m.)	WIRE RANGE AWG(mm ²)
BV0012G	M4	10.6 TO 13.3 (1.2 TO 1.5)	22-10 (0.33-5.5)

NOTE: RATINGS APPLY TO BOTH FACTORY AND FIELD WIRING
REFER TO APPLICABLE CODES FOR PROPER WIRE TYPE AND SIZE

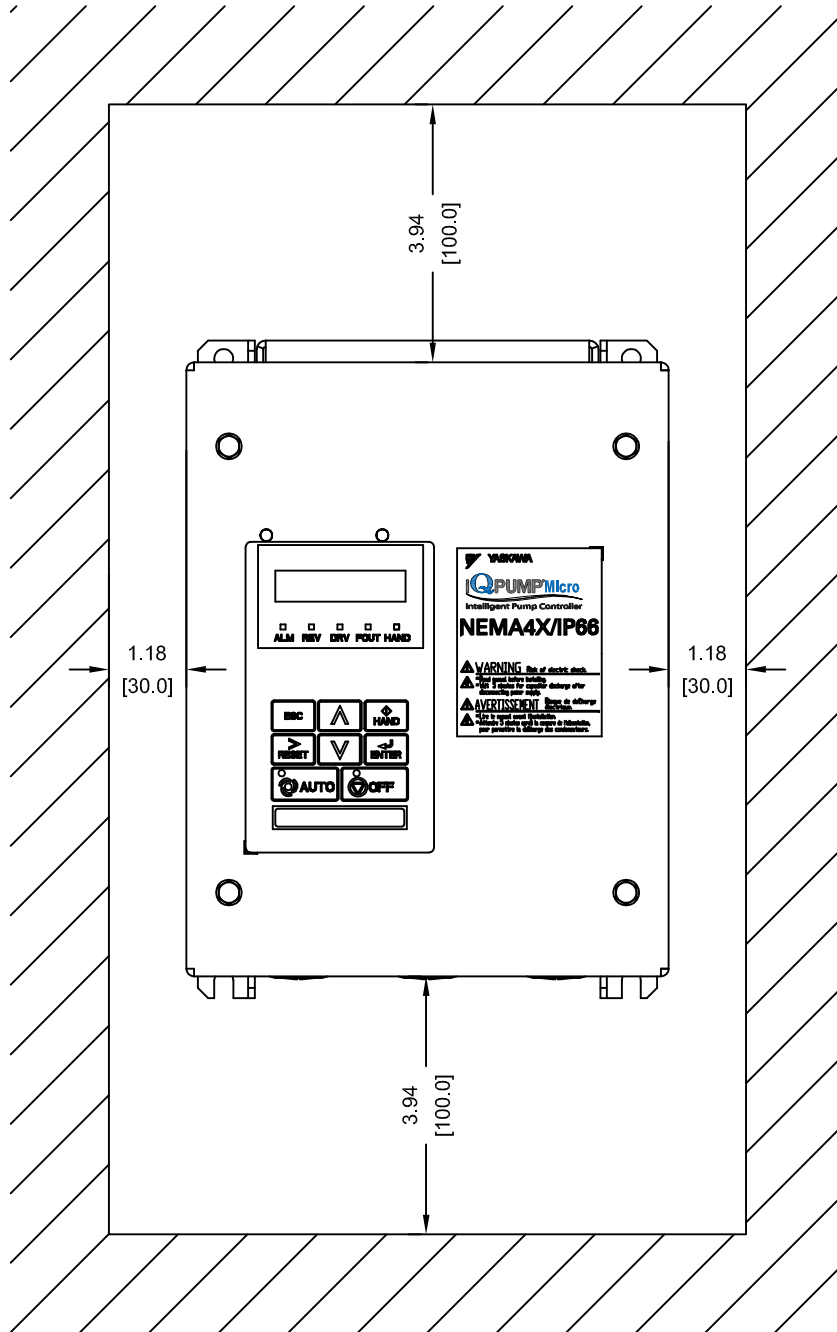
TERMINAL AND WIRING DETAILS (SCALE 1:3)




FOR ADDITIONAL DETAILS AND SPECIFICATIONS, CONSULT MANUAL

TOLERANCES / REFERENCES:			DRAWN: J. MATTAS CHECKED: J. PIOTROWSKI TECH: J. BORJA APPROVED: J. CAIRO ORIGINAL DESIGN: -	DATE: 11-4-14 DATE: 11-10-14 DATE: 11-11-14 DATE: 11-18-14 DATE: -	TITLE: IQ PUMP MICRO DIMENSION DRAWING FRAME SIZE 2 NEMA TYPE 4X ENCLOSURE (IP66) BV0006-0012, 2V0010-0020, 4V0005-0011
UNITS: IN[mm]	SCALE: BY VIEW		THIS DOCUMENT AND INFORMATION CONTAINED IN IT ARE CONFIDENTIAL, AND CANNOT BE COPIED OR DISCLOSED IN WHOLE OR IN PART WITHOUT THE EXPRESS WRITTEN CONSENT OF YASKAWA AMERICA, INC.	SIZE: A REVISION: R00 PAGE: 7 of 9	DRAWING #: DD.IQPM.FR2.N4

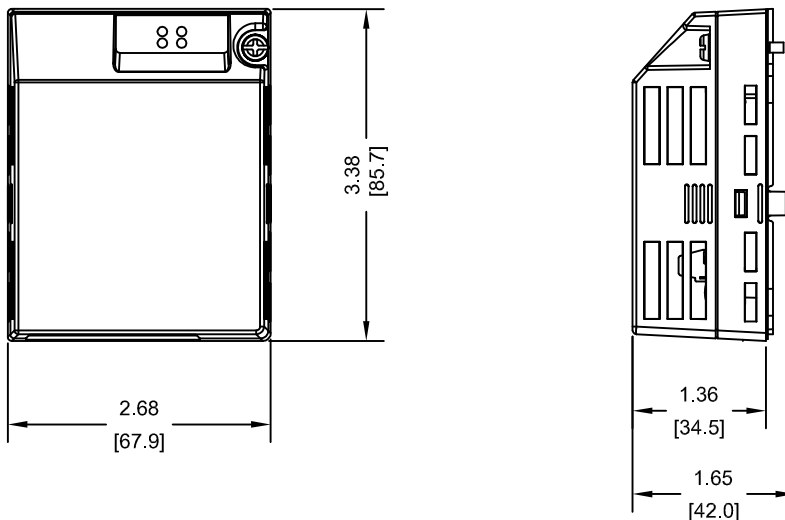
MINIMUM INSTALLATION CLEARANCES (SCALE 1:3)



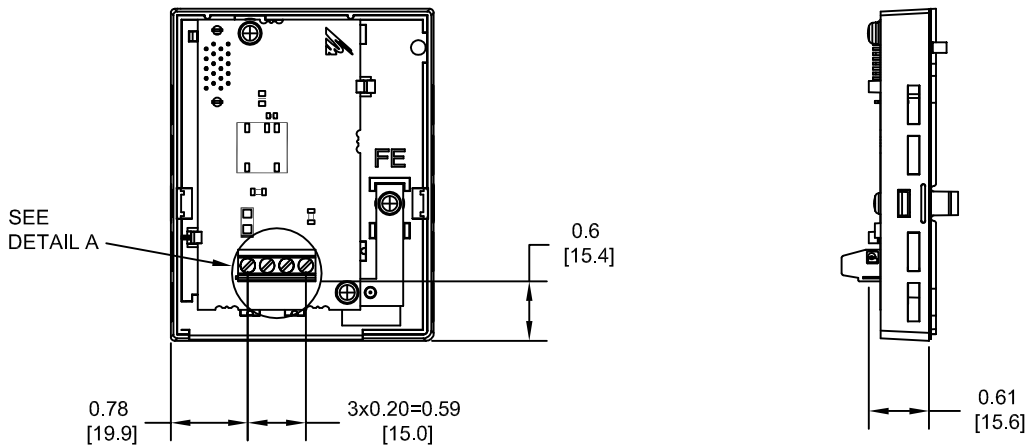
FOR ADDITIONAL DETAILS AND SPECIFICATIONS, CONSULT MANUAL

TOLERANCES / REFERENCES:		 THIS DOCUMENT AND INFORMATION CONTAINED IN IT ARE CONFIDENTIAL, AND CANNOT BE COPIED OR DISCLOSED IN WHOLE OR IN PART WITHOUT THE EXPRESS WRITTEN CONSENT OF YASKAWA AMERICA, INC.	DRAWN: J. MATTAS	DATE 11-4-14	TITLE: IQ PUMP MICRO DIMENSION DRAWING FRAME SIZE 2 NEMA TYPE 4X ENCLOSURE (IP66) BV0006-0012, 2V0010-0020, 4V0005-0011
			CHECKED: J. PIOTROWSKI	DATE 11-10-14	
UNITS: IN[mm]	SCALE: BY VIEW		TECH: J. BORJA	DATE 11-11-14	SIZE A
			APPROVED: J. CAIRO	DATE 11-18-14	REVISION R00
			ORIGINAL DESIGN: -	DATE -	PAGE 8 of 9
					DRAWING #: DD.IQPM.FR2.N4

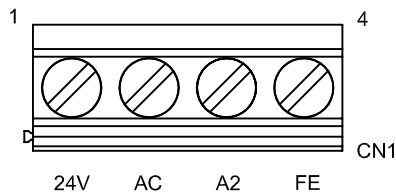
24V OPTION KIT (SCALE 1:2)



24V OPTION KIT (SCALE 1:2)
COVER REMOVED



DETAIL A (SCALE 2:1)



24V OPTION KIT - SPECIFICATIONS

TERMINAL SCREW	CLAMPING TORQUE lb.in.(N.m.)	WIRE RANGE AWG(mm ²)	OPTION KIT WEIGHT LBS(Kg)
M3	4.4 TO 5.3 (0.5 TO 0.6)	30-14 (0.05-2.0)	0.1 (0.05)

FOR ADDITIONAL DETAILS AND SPECIFICATIONS, CONSULT MANUAL

TOLERANCES / REFERENCES:		<p>THIS DOCUMENT AND INFORMATION CONTAINED IN IT ARE CONFIDENTIAL, AND CANNOT BE COPIED OR DISCLOSED IN WHOLE OR IN PART WITHOUT THE EXPRESS WRITTEN CONSENT OF YASKAWA AMERICA, INC.</p>	DRAWN: J. MATTAS DATE 11-4-14	TITLE: IQ PUMP MICRO DIMENSION DRAWING FRAME SIZE 2		
UNITS: IN[mm]			CHECKED: J. PIOTROWSKI DATE 11-10-14	NEMA TYPE 4X ENCLOSURE (IP66) BV0006-0012, 2V0010-0020, 4V0005-0011		
SCALE: BY VIEW			TECH: J. BORJA DATE 11-11-14	APPROVED: J. CAIRO DATE 11-18-14	SIZE A	REVISION R00
			ORIGINAL DESIGN: -	DATE -	PAGE 9 of 9	DRAWING #: DD.IQPM.FR2.N4