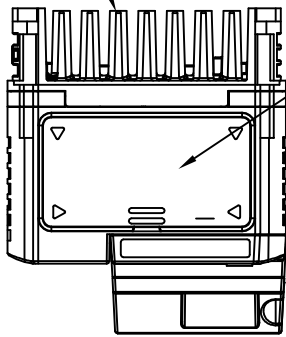


NATURAL CONVECTION COOLING



TOP PROTECTIVE COVER

NOTE:
 PROTECTIVE COVERS ARE FACTORY INSTALLED TO THE TOP AND BOTTOM OF THE DRIVE TO MEET IP20 & NEMA TYPE 1 REQUIREMENTS, RESULTING IN AN AMBIENT TEMPERATURE RATING OF 104F(40C). REMOVE THESE COVERS WHEN OPERATING THE DRIVE WITHIN A PANEL TO OBTAIN THE MAXIMUM SURROUNDING AIR TEMPERATURE RATING OF 122F(50C). REMOVING THESE COVERS RESULTS IN AN ENCLOSURE RATING OF IP00.

(4)-MOUNTING HOLES FOR #8 [M4] SCREWS

DIGITAL OPERATOR

2.68 [68.0]

0.2 [5.0]

1.65 [42.0]

NAMEPLATE

4.65 [118.0]
VERTICAL MTG DIM

0.82 [20.9]

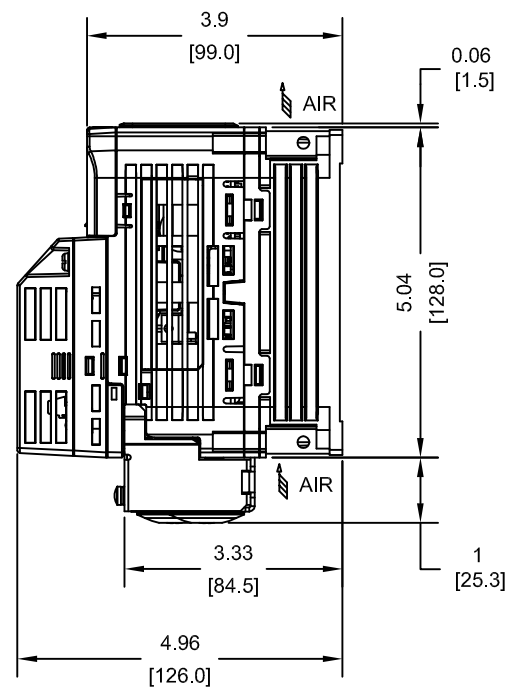
0.2 [5.0]

FRONT VIEW

0.24 [6.0]

3.78 [96.0]
HORIZONTAL MTG DIM

0.24 [6.0]



3.9 [99.0]

0.06 [1.5]

AIR

5.04 [128.0]

AIR

3.33 [84.5]

1 [25.3]

4.96 [126.0]

BOTTOM PROTECTIVE COVER

(3)-Ø0.87 [22] HOLE WITH RUBBER BUSHING

0.49 [12.5]

0.97 [24.6]

1.34 [34.0]

(GND TERM)

1.1 [28.0]

1.1 [28.0]

1.1 [28.0]

4.25 [108.0]

MODEL # CIMR-PW	VOLTAGE THREE PHASE (VAC)	OUTPUT CURRENT (A)	WEIGHT LBS (Kg)	HEAT LOSS (W) (Fc=2kHz)		
				INT	EXT	TOT
4V0002FXX	380/480	2.1	3.1(1.4)	13.9	18.5	32.4

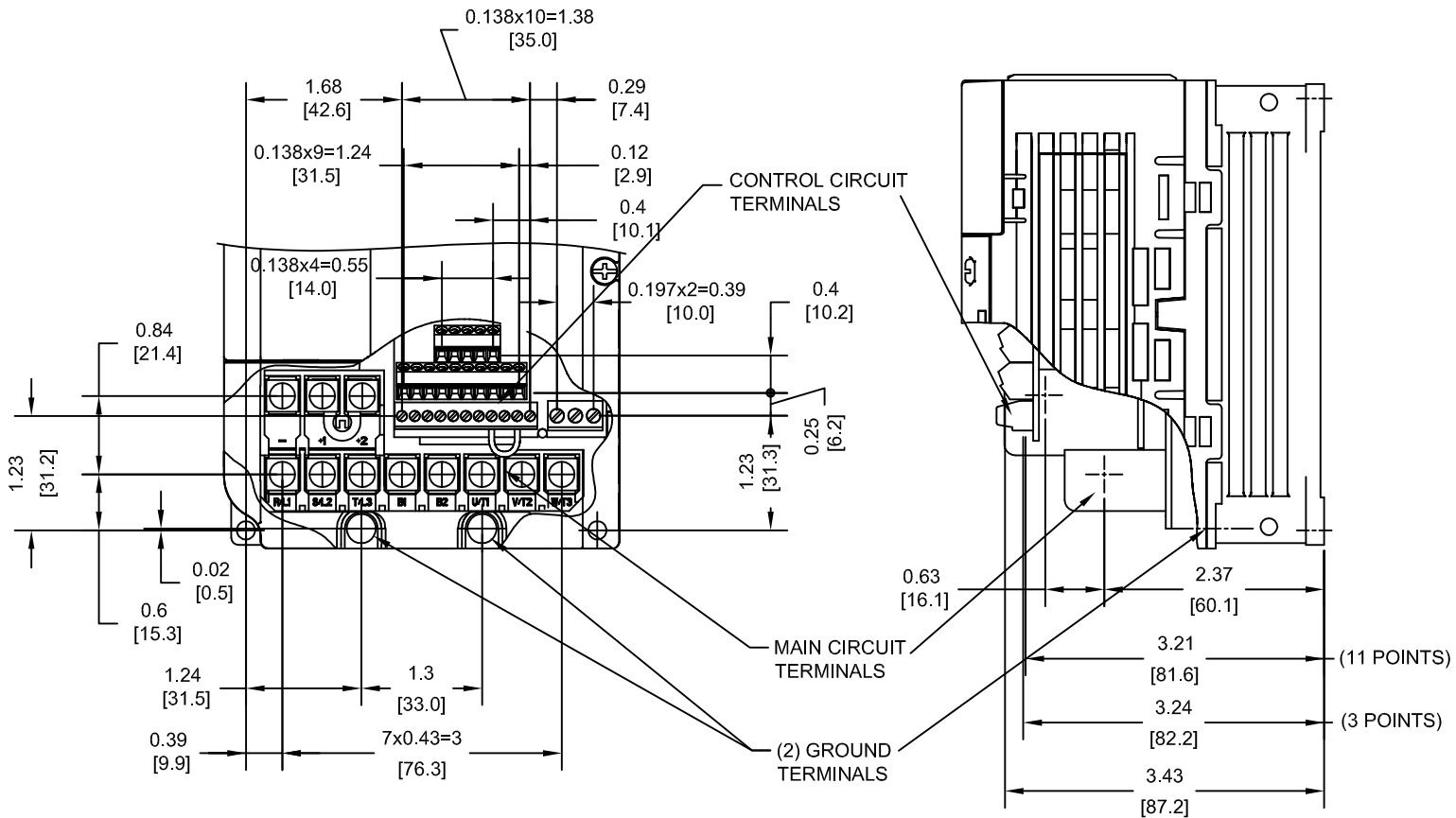
NOTE:
XX DENOTES AA-ZZ

INT=INTERNAL COMPONENTS
EXT=EXTERNAL HEATSINK
TOT=TOTAL

FOR ADDITIONAL DETAILS AND SPECIFICATIONS, CONSULT MANUAL

TOLERANCES / REFERENCES:		<p>YASKAWA</p> <p>THIS DOCUMENT AND INFORMATION CONTAINED IN IT ARE CONFIDENTIAL, AND CANNOT BE COPIED OR DISCLOSED IN WHOLE OR IN PART WITHOUT THE EXPRESS WRITTEN CONSENT OF YASKAWA AMERICA, INC.</p>	DRAWN: J. MATTAS CHECKED: J. PIOTROWSKI TECH: J. BORJA APPROVED: J. CAIRO ORIGINAL DESIGN: -	DATE 10-23-14 DATE 10-31-14 DATE 10-31-14 DATE 11-17-14 DATE -	TITLE: IQ PUMP MICRO DIMENSION DRAWING FRAME SIZE 6 NEMA TYPE 1 ENCLOSURE 4V0002F
UNITS: IN[mm]	SCALE: 1:3		SIZE A REVISION R00 DRAWING # DD.IQPM.FR6.N1	PAGE 1 of 4	

TERMINAL AND WIRING DETAILS (SCALE 1:2)



TERMINAL AND WIRE SPECIFICATIONS FOR
MAIN CIRCUIT AND GROUND

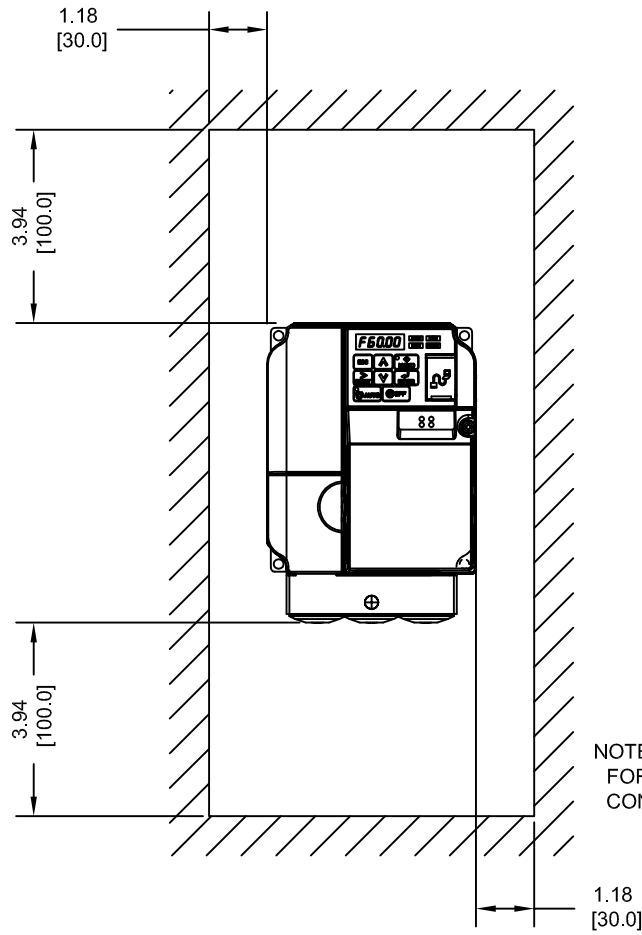
MODEL #	TERMINAL SCREW	CLAMPING TORQUE lb.in.(N.m.)	WIRE RANGE AWG(mm ²)
CIMR-PW	M4	10.6 TO 13.3 (1.2 TO 1.5)	22-10 (0.33-5.5)

NOTE: RATINGS APPLY TO BOTH FACTORY AND FIELD WIRING
REFER TO APPLICABLE CODES FOR PROPER WIRE TYPE AND SIZE

FOR ADDITIONAL DETAILS AND SPECIFICATIONS, CONSULT MANUAL

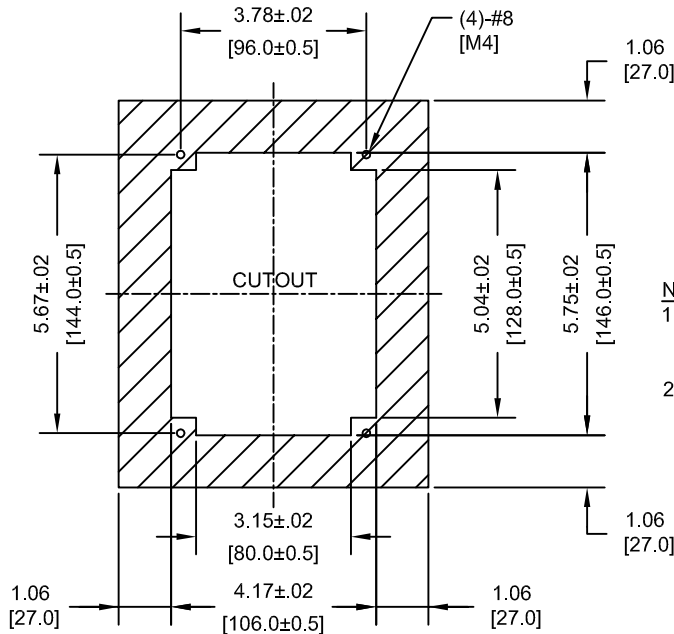
TOLERANCES / REFERENCES:			DRAWN: J. MATTAS DATE: 10-23-14	DATE: 10-23-14	TITLE: IQ PUMP MICRO DIMENSION DRAWING FRAME SIZE 6 NEMA TYPE 1 ENCLOSURE 4V0002F
			CHECKED: J. PIOTROWSKI DATE: 10-31-14	DATE: 10-31-14	
		THIS DOCUMENT AND INFORMATION CONTAINED IN IT ARE CONFIDENTIAL, AND CANNOT BE COPIED OR DISCLOSED IN WHOLE OR IN PART WITHOUT THE EXPRESS WRITTEN CONSENT OF YASKAWA AMERICA, INC.	TECH: J. BORJA DATE: 10-31-14	DATE: 10-31-14	SIZE: A REVISION: R00 PAGE: 2 of 4
UNITS: IN[mm]	SCALE: BY VIEW		APPROVED: J. CAIRO DATE: 11-17-14	DATE: 11-17-14	

MINIMUM INSTALLATION CLEARANCES (SCALE 1:4)



NOTE:
FOR SIDE-BY-SIDE MOUNTING
CONSULT MANUAL

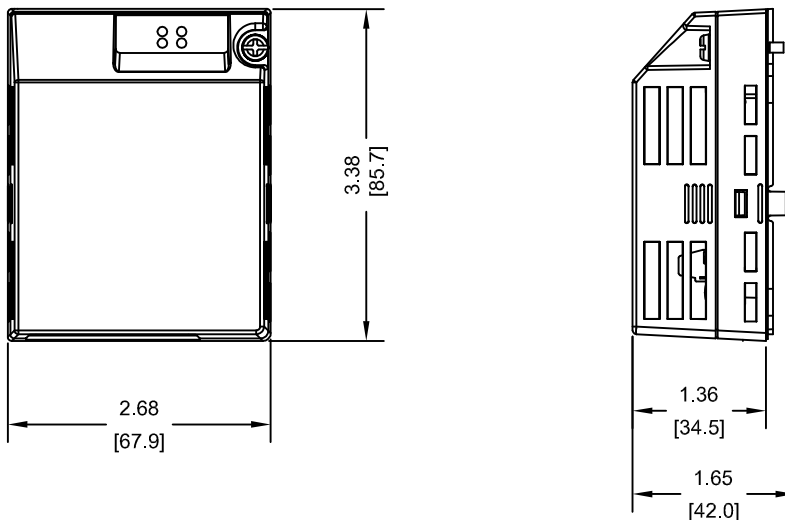
PANEL CUTOUT FOR EXTERNAL HEATSINK
MOUNTING CONFIGURATION (SCALE 1:4)



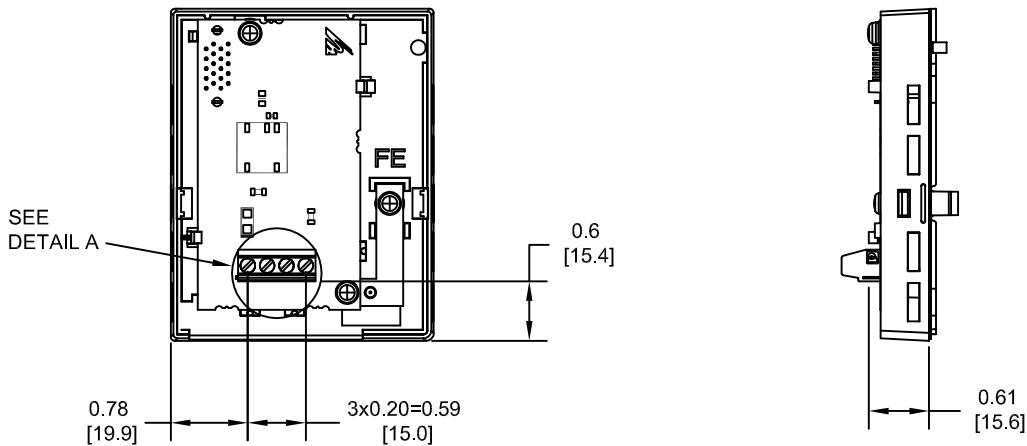
NOTES:
1. EXTERNAL HEATSINK
CONFIGURATION REQUIRES
MOUNTING KIT
2. EXPOSED HEATSINK
RECOMMENDED CLEARANCE
D=1.57" MINUS PANEL THICKNESS

TOLERANCES / REFERENCES:		<p>THIS DOCUMENT AND INFORMATION CONTAINED IN IT ARE CONFIDENTIAL, AND CANNOT BE COPIED OR DISCLOSED IN WHOLE OR IN PART WITHOUT THE EXPRESS WRITTEN CONSENT OF YASKAWA AMERICA, INC.</p>	DRAWN: J. MATTAS	DATE 10-23-14	TITLE: IQ PUMP MICRO DIMENSION DRAWING FRAME SIZE 6 NEMA TYPE 1 ENCLOSURE 4V0002F
UNITS: IN[mm]			CHECKED: J. PIOTROWSKI	DATE 10-31-14	SIZE A
SCALE: BY VIEW			TECH: J. BORJA	DATE 10-31-14	REVISION R00
			APPROVED: J. CAIRO	DATE 11-17-14	PAGE 3 of 4
		ORIGINAL DESIGN: -	DATE -	DRAWING #: DD.IQPM.FR6.N1	

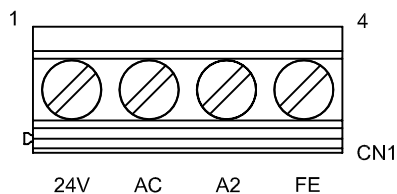
24V OPTION KIT (SCALE 1:2)



24V OPTION KIT (SCALE 1:2)
COVER REMOVED




DETAIL A (SCALE 2:1)



24V OPTION KIT - SPECIFICATIONS

TERMINAL SCREW	CLAMPING TORQUE lb.in.(N.m.)	WIRE RANGE AWG(mm ²)	OPTION KIT WEIGHT LBS(Kg)
M3	4.4 TO 5.3 (0.5 TO 0.6)	30-14 (0.05-2.0)	0.1 (0.05)

TOLERANCES / REFERENCES:		 THIS DOCUMENT AND INFORMATION CONTAINED IN IT ARE CONFIDENTIAL, AND CANNOT BE COPIED OR DISCLOSED IN WHOLE OR IN PART WITHOUT THE EXPRESS WRITTEN CONSENT OF YASKAWA AMERICA, INC.	DRAWN: J. MATTAS	DATE 10-23-14	TITLE: IQ PUMP MICRO DIMENSION DRAWING FRAME SIZE 6 NEMA TYPE 1 ENCLOSURE 4V0002F	
			CHECKED: J. PIOTROWSKI	DATE 10-31-14		
			TECH: J. BORJA	DATE 10-31-14		
			APPROVED: J. CAIRO	DATE 11-17-14		
UNITS: IN[mm]	SCALE: BY VIEW	ORIGINAL DESIGN: -	DATE -	SIZE A	REVISION R00	PAGE 4 of 4
				DRAWING #: DD.IQPM.FR6.N1		