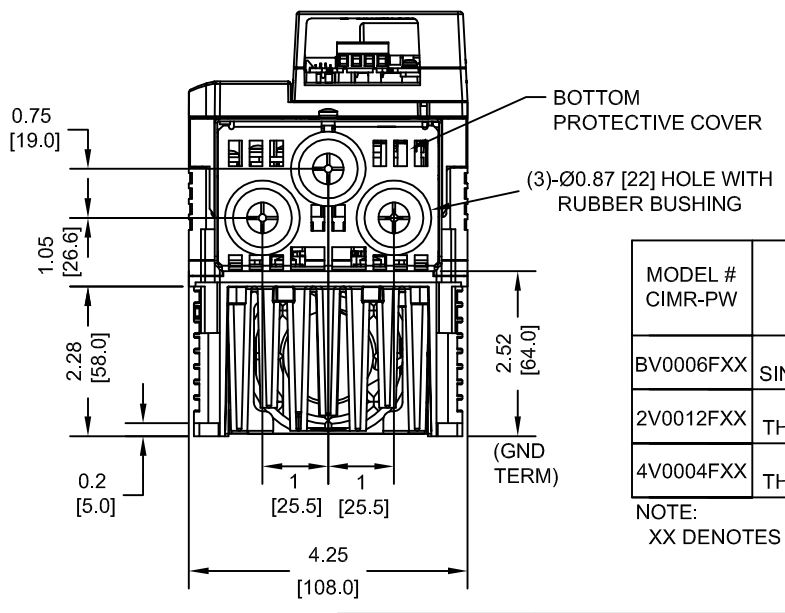
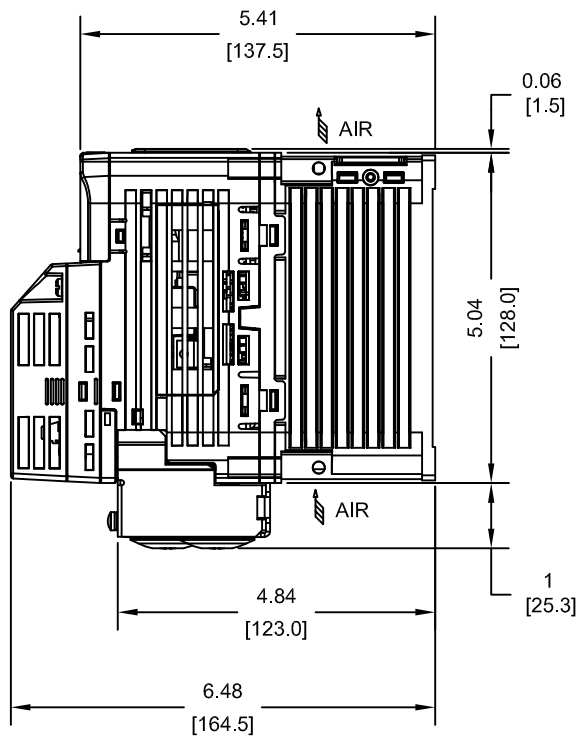
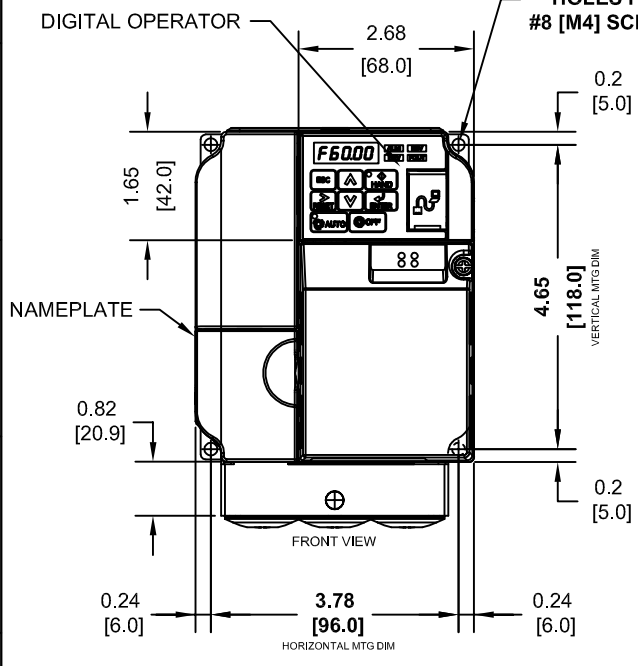


2V0012F: COOLING FAN
 BV0006F: NATURAL CONVECTION
 4V0004F: NATURAL CONVECTION

TOP PROTECTIVE COVER

NOTE:
 PROTECTIVE COVERS ARE FACTORY INSTALLED TO THE TOP AND BOTTOM OF THE DRIVE TO MEET IP20 & NEMA TYPE 1 REQUIREMENTS, RESULTING IN AN AMBIENT TEMPERATURE RATING OF 104F(40C). REMOVE THESE COVERS WHEN OPERATING THE DRIVE WITHIN A PANEL TO OBTAIN THE MAXIMUM SURROUNDING AIR TEMPERATURE RATING OF 122F(50C). REMOVING THESE COVERS RESULTS IN AN ENCLOSURE RATING OF IP00.

(4)-MOUNTING HOLES FOR #8 [M4] SCREWS



MODEL # CIMR-PW	VOLTAGE (VAC)	OUTPUT CURRENT (A)	WEIGHT LBS (Kg)	HEAT LOSS (W) (Fc=2kHz)		
				INT	EXT	TOT
BV0006FXX	208/240 SINGLE PHASE	6.0	4.2 (1.9)	19.4	30.1	49.5
2V0012FXX	208/240 THREE PHASE	12.0	4.2 (1.9)	30.4	61.3	91.7
4V0004FXX	380/480 THREE PHASE	4.1	4.2 (1.9)	16.8	30.5	47.3

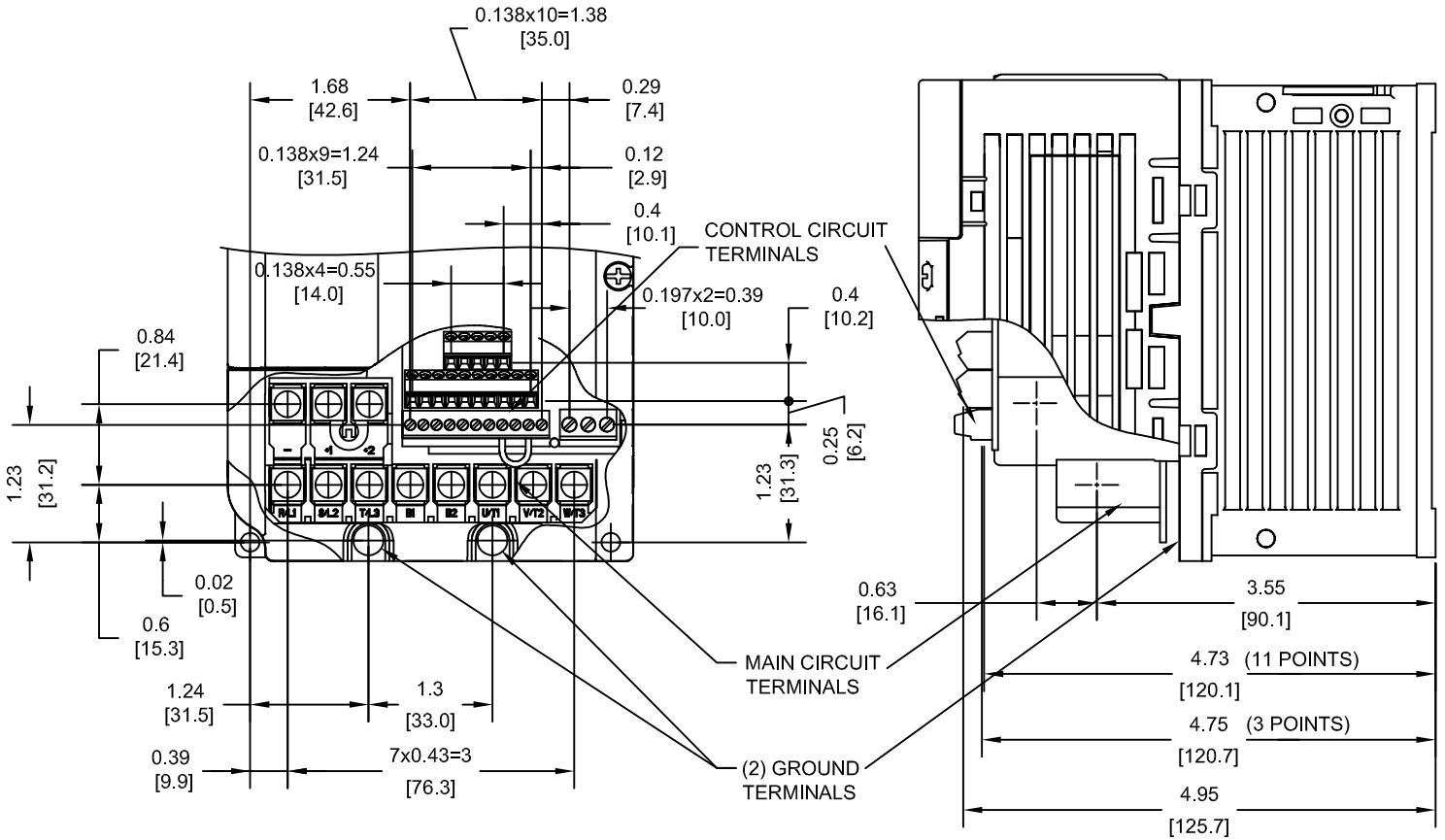
NOTE:
 XX DENOTES AA-ZZ

INT=INTERNAL COMPONENTS
 EXT=EXTERNAL HEATSINK
 TOT=TOTAL

FOR ADDITIONAL DETAILS AND SPECIFICATIONS, CONSULT MANUAL

TOLERANCES / REFERENCES:			DRAWN: J. MATTAS	DATE: 10-27-14	TITLE: IQ PUMP MICRO DIMENSION DRAWING FRAME SIZE 8 NEMA TYPE 1 ENCLOSURE BV0006F, 2V0012F & 4V0004F
			CHECKED: J. PIOTROWSKI	DATE: 10-31-14	
		THIS DOCUMENT AND INFORMATION CONTAINED IN IT ARE CONFIDENTIAL, AND CANNOT BE COPIED OR DISCLOSED IN WHOLE OR IN PART WITHOUT THE EXPRESS WRITTEN CONSENT OF YASKAWA AMERICA, INC.	TECH: J. BORJA	DATE: 10-31-14	SIZE: A REVISION: R00 PAGE: 1 of 4
UNITS: IN[mm]	SCALE: 1:3		APPROVED: J. CAIRO	DATE: 11-18-14	

TERMINAL AND WIRING DETAILS (SCALE 1:2)




TERMINAL AND WIRE SPECIFICATIONS FOR
MAIN CIRCUIT AND GROUND

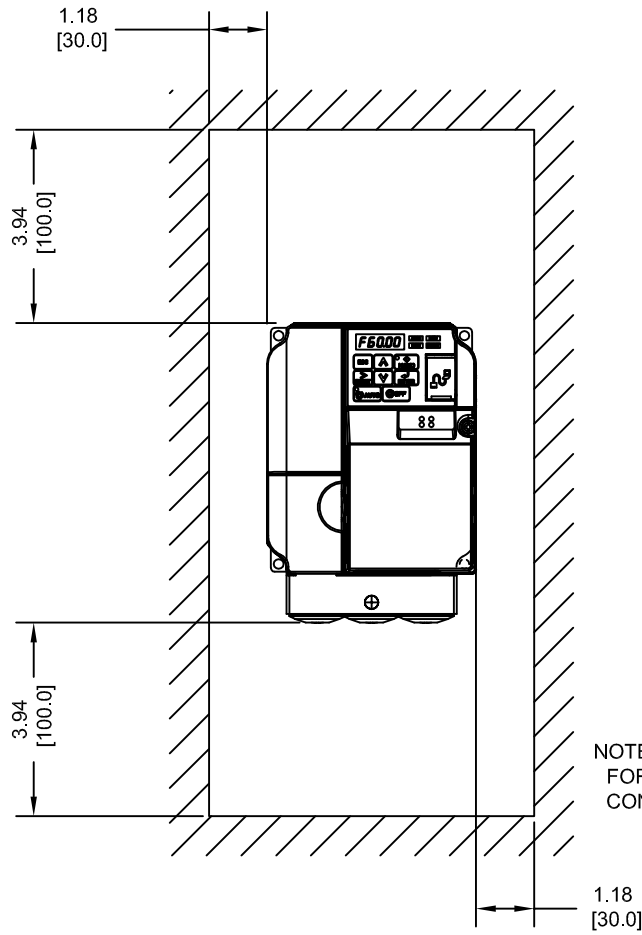
MODEL #	TERMINAL SCREW	CLAMPING TORQUE lb.in.(N.m.)	WIRE RANGE AWG(mm ²)
BV0006F	M4	10.6 TO 13.3 (1.2 TO 1.5)	22-10 (0.33-5.5)
2V0012F	M4	10.6 TO 13.3 (1.2 TO 1.5)	22-10 (0.33-5.5)
4V0004F	M4	10.6 TO 13.3 (1.2 TO 1.5)	22-10 (0.33-5.5)

NOTE: RATINGS APPLY TO BOTH FACTORY AND FIELD WIRING
REFER TO APPLICABLE CODES FOR PROPER WIRE TYPE AND SIZE

FOR ADDITIONAL DETAILS AND SPECIFICATIONS, CONSULT MANUAL

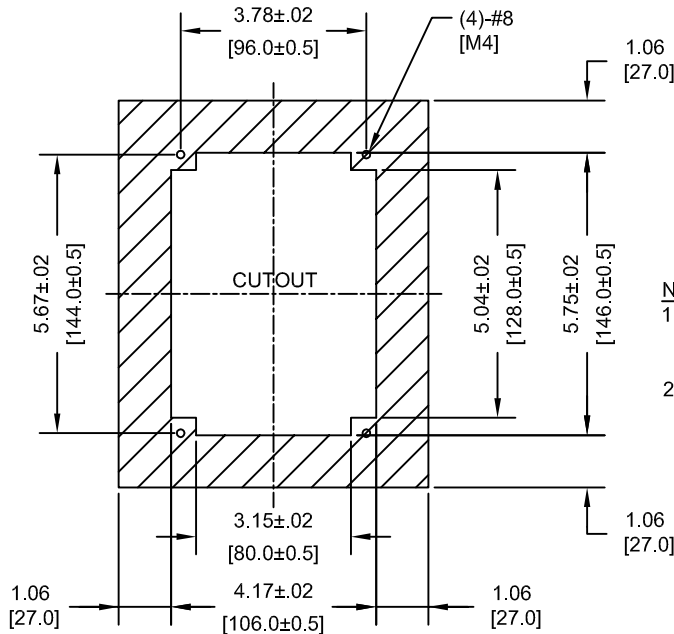
TOLERANCES / REFERENCES:		 THIS DOCUMENT AND INFORMATION CONTAINED IN IT ARE CONFIDENTIAL, AND CANNOT BE COPIED OR DISCLOSED IN WHOLE OR IN PART WITHOUT THE EXPRESS WRITTEN CONSENT OF YASKAWA AMERICA, INC.	DRAWN: J. MATTAS	DATE 10-27-14	TITLE: IQ PUMP MICRO DIMENSION DRAWING FRAME SIZE 8 NEMA TYPE 1 ENCLOSURE BV0006F, 2V0012F & 4V0004F	
			CHECKED: J. PIOTROWSKI	DATE 10-31-14		
			TECH: J. BORJA	DATE 10-31-14		
			APPROVED: J. CAIRO	DATE 11-18-14		
UNITS: IN[mm]	SCALE: BY VIEW	ORIGINAL DESIGN: -	DATE -	SIZE A	REVISION R00	PAGE 2 of 4
			DRAWING #:		DD.IQPM.FR8.N1	

MINIMUM INSTALLATION CLEARANCES (SCALE 1:4)



NOTE:
FOR SIDE-BY-SIDE MOUNTING
CONSULT MANUAL

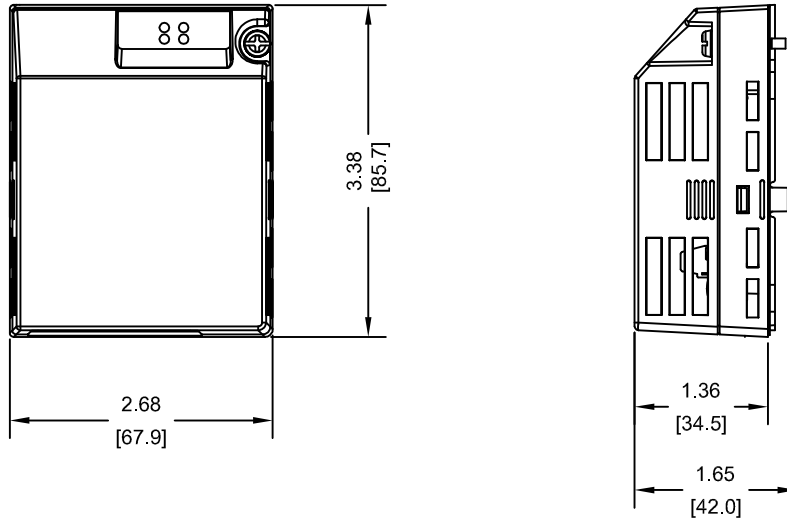
PANEL CUTOUT FOR EXTERNAL HEATSINK
MOUNTING CONFIGURATION (SCALE 1:4)



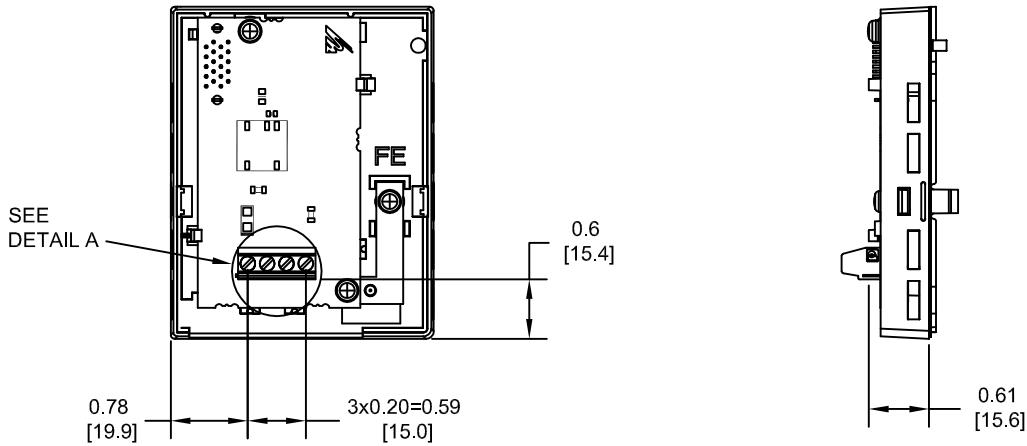
NOTES:
1. EXTERNAL HEATSINK
CONFIGURATION REQUIRES
MOUNTING KIT
2. EXPOSED HEATSINK
RECOMMENDED CLEARANCE
D=2.76" MINUS PANEL THICKNESS

TOLERANCES / REFERENCES:		<p>THIS DOCUMENT AND INFORMATION CONTAINED IN IT ARE CONFIDENTIAL, AND CANNOT BE COPIED OR DISCLOSED IN WHOLE OR IN PART WITHOUT THE EXPRESS WRITTEN CONSENT OF YASKAWA AMERICA, INC.</p>	DRAWN: J. MATTAS	DATE 10-27-14	TITLE: IQ PUMP MICRO DIMENSION DRAWING FRAME SIZE 8 NEMA TYPE 1 ENCLOSURE BV0006F, 2V0012F & 4V0004F
			CHECKED: J. PIOTROWSKI	DATE 10-31-14	SIZE A
			TECH: J. BORJA	DATE 10-31-14	REVISION R00
			APPROVED: J. CAIRO	DATE 11-18-14	PAGE 3 of 4
UNITS: IN[mm]	SCALE: BY VIEW	ORIGINAL DESIGN: -	DATE -	DRAWING #: DD.IQPM.FR8.N1	

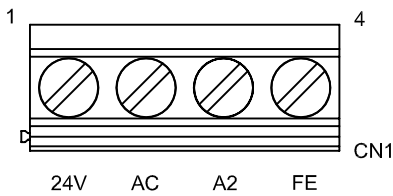
24V OPTION KIT (SCALE 1:2)



24V OPTION KIT (SCALE 1:2)
COVER REMOVED




DETAIL A (SCALE 2:1)



24V OPTION KIT - SPECIFICATIONS

TERMINAL SCREW	CLAMPING TORQUE lb.in.(N.m.)	WIRE RANGE AWG(mm ²)	OPTION KIT WEIGHT LBS(Kg)
M3	4.4 TO 5.3 (0.5 TO 0.6)	30-14 (0.05-2.0)	0.1 (0.05)

TOLERANCES / REFERENCES:		 THIS DOCUMENT AND INFORMATION CONTAINED IN IT ARE CONFIDENTIAL, AND CANNOT BE COPIED OR DISCLOSED IN WHOLE OR IN PART WITHOUT THE EXPRESS WRITTEN CONSENT OF YASKAWA AMERICA, INC.	DRAWN: J. MATTAS	DATE 10-27-14	TITLE: IQ PUMP MICRO DIMENSION DRAWING FRAME SIZE 8 NEMA TYPE 1 ENCLOSURE BV0006F, 2V0012F & 4V0004F
UNITS: IN[mm]	SCALE: BY VIEW		CHECKED: J. PIOTROWSKI	DATE 10-31-14	
			TECH: J. BORJA	DATE 10-31-14	
			APPROVED: J. CAIRO	DATE 11-18-14	SIZE A
			ORIGINAL DESIGN: -	DATE -	REVISION R00
					PAGE 4 of 4
					DRAWING #: DD.IQPM.FR8.N1