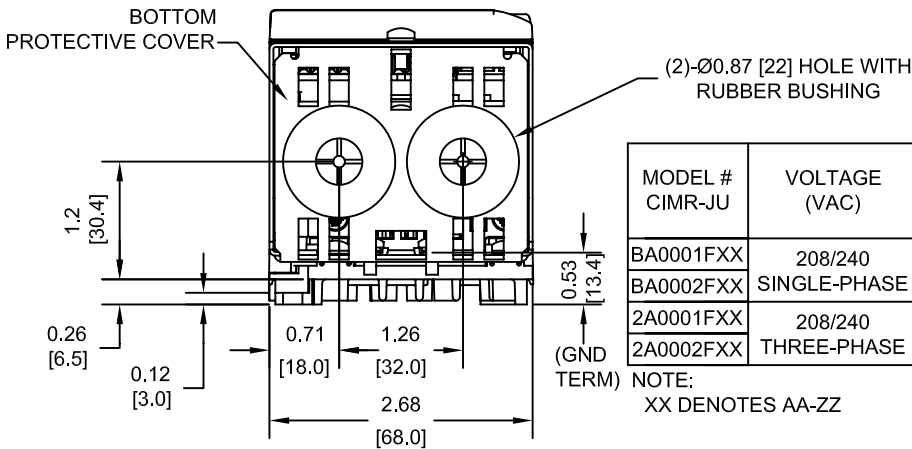
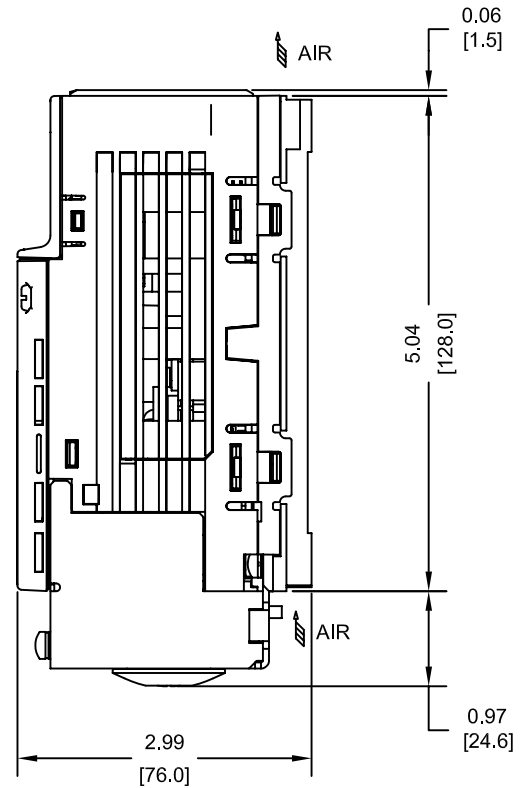
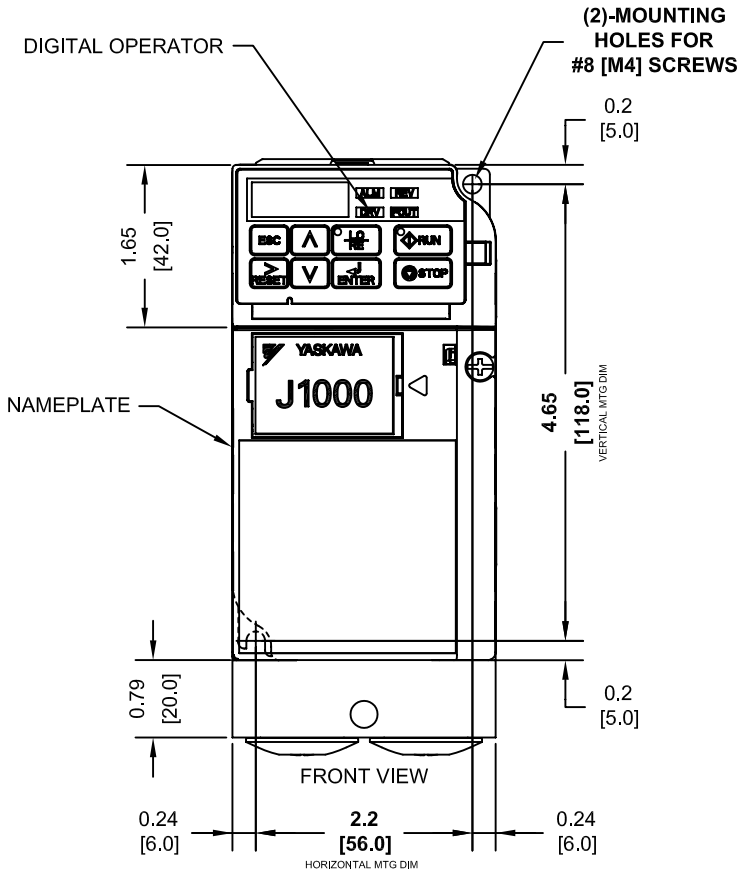
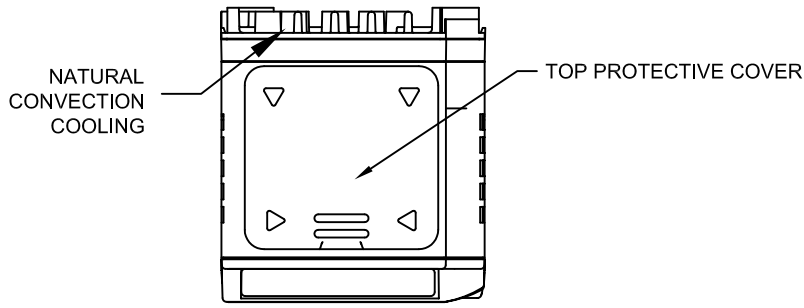


NOTE:

PROTECTIVE COVERS ARE FACTORY INSTALLED TO THE TOP AND BOTTOM OF THE DRIVE TO MEET IP20 & NEMA TYPE 1 REQUIREMENTS, RESULTING IN AN AMBIENT TEMPERATURE RATING OF 104F(40C). REMOVE THESE COVERS WHEN OPERATING THE DRIVE WITHIN A PANEL TO OBTAIN THE MAXIMUM SURROUNDING AIR TEMPERATURE RATING OF 122F(50C). REMOVING THESE COVERS RESULTS IN AN ENCLOSURE RATING OF IP00.



MODEL # CIMR-JU	VOLTAGE (VAC)	OUTPUT CURRENT (A)		WEIGHT LBS (Kg)	HEAT LOSS (W)					
		ND	HD		ND (Fc=2kHz)			HD (Fc=8kHz)		
					INT	EXT	TOT	INT	EXT	TOT
BA0001FXX	208/240	1.2	0.8	1.8 (0.8)	8.5	5.0	13.5	7.4	4.3	11.7
BA0002FXX	SINGLE-PHASE	1.9	1.6	1.8 (0.8)	9.7	7.6	17.3	8.9	7.9	16.8
2A0001FXX	208/240	1.2	0.8	1.8 (0.8)	8.0	5.0	13.0	7.3	4.3	11.6
2A0002FXX	THREE-PHASE	1.9	1.6	1.8 (0.8)	9.5	7.6	17.1	8.8	7.9	16.7

NOTE:
XX DENOTES AA-ZZ

INT=INTERNAL COMPONENTS
EXT=EXTERNAL HEATSINK
TOT=TOTAL

FOR ADDITIONAL DETAILS AND SPECIFICATIONS, CONSULT MANUAL

TOLERANCES / REFERENCES:		<p>YASKAWA The Drive for Quality™</p> <p>THIS DOCUMENT AND INFORMATION CONTAINED IN IT ARE CONFIDENTIAL, AND CANNOT BE COPIED OR DISCLOSED IN WHOLE OR IN PART WITHOUT THE EXPRESS WRITTEN CONSENT OF YASKAWA ELECTRIC AMERICA INC.</p>	DRAWN: J. MATTAS DATE 11-20-08	TITLE: J1000 DIMENSION DRAWING FRAME SIZE 1 NEMA TYPE 1 ENCLOSURE BA0001F TO 0002F, 2A0001F TO 0002F	
UNITS: IN[mm]	SCALE: 1:2		CHECKED: J. PIOTROWSKI DATE 4-16-09	DATE 5-11-09	
			TECH: J. CAIRO DATE 5-14-09	DATE 5-14-09	
			APPROVED: T. SASADA DATE 5-14-09	ORIGINAL DESIGN: - DATE -	
			SIZE A	REVISION R00	PAGE 1 of 3
			DRAWING #: DD.J1K.FR1.N1		

1 2 3 4 5 6 7 8

A

B

C

D

E

F

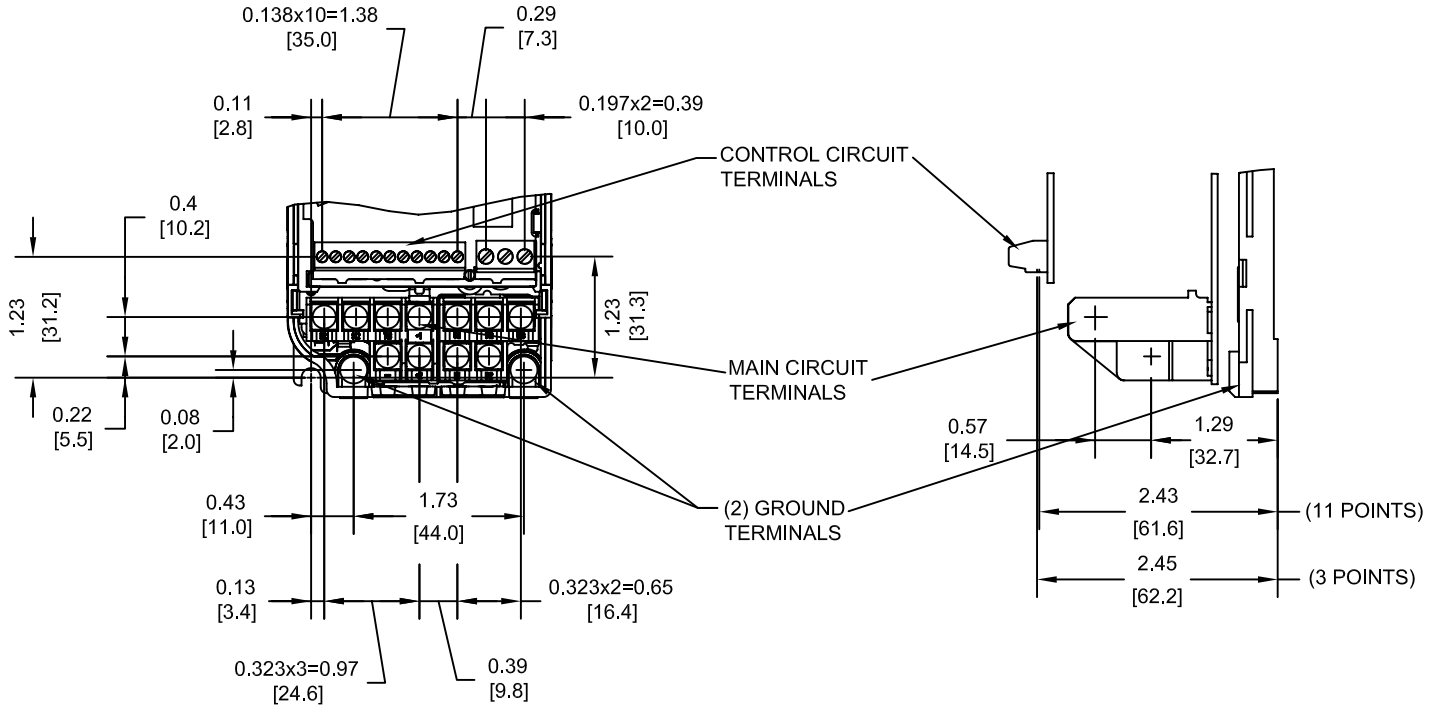
G

H

I

J

TERMINAL AND WIRING DETAILS (SCALE 1:2)



TERMINAL AND WIRE SPECIFICATIONS FOR
MAIN CIRCUIT AND GROUND

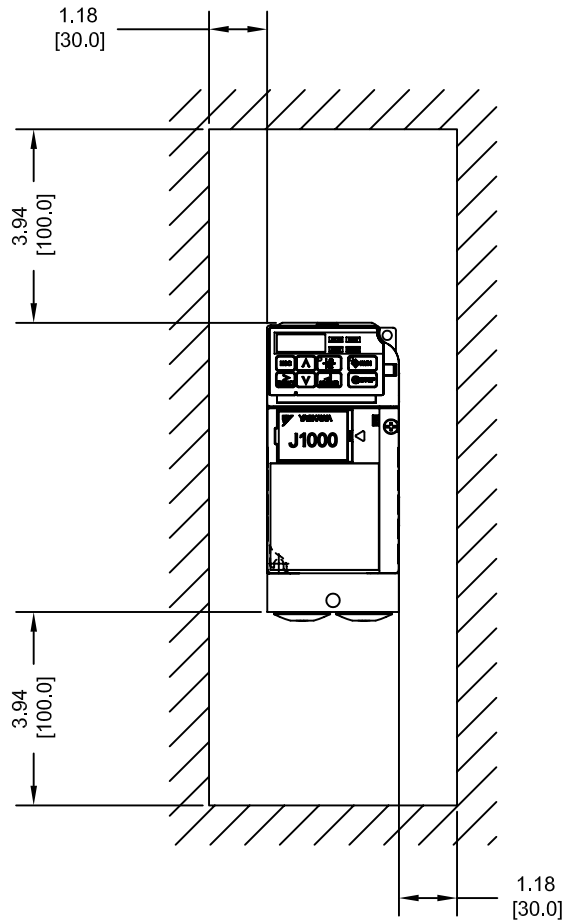
MODEL #	TERMINAL SCREW	CLAMPING TORQUE lb.in.(N.m.)	WIRE RANGE AWG(mm ²)
BA0001F	M3.5	7.1 TO 8.9 (0.8 TO 1.0)	22-14 (0.33-2.0)
BA0002F	M3.5	7.1 TO 8.9 (0.8 TO 1.0)	22-14 (0.33-2.0)
2A0001F	M3.5	7.1 TO 8.9 (0.8 TO 1.0)	22-14 (0.33-2.0)
2A0002F	M3.5	7.1 TO 8.9 (0.8 TO 1.0)	22-14 (0.33-2.0)

NOTE: RATINGS APPLY TO BOTH FACTORY AND FIELD WIRING
REFER TO APPLICABLE CODES FOR PROPER WIRE TYPE AND SIZE

FOR ADDITIONAL DETAILS AND SPECIFICATIONS, CONSULT MANUAL

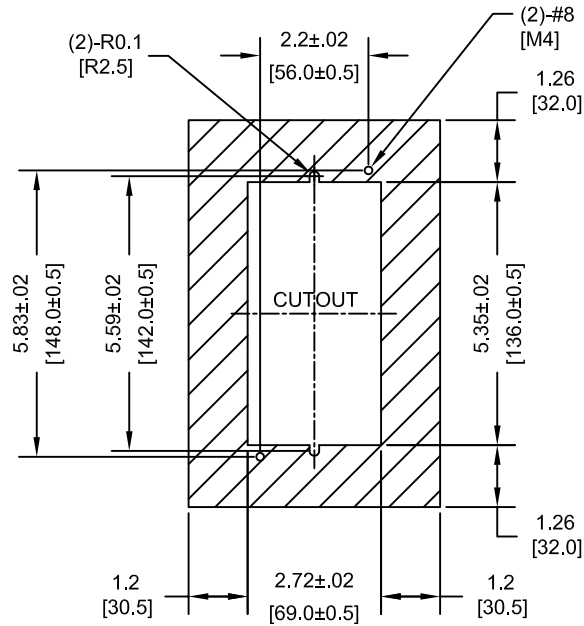
TOLERANCES / REFERENCES:		<p>THIS DOCUMENT AND INFORMATION CONTAINED IN IT ARE CONFIDENTIAL, AND CANNOT BE COPIED OR DISCLOSED IN WHOLE OR IN PART WITHOUT THE EXPRESS WRITTEN CONSENT OF YASKAWA ELECTRIC AMERICA INC.</p>	DRAWN: J. MATTAS DATE 11-20-08	TITLE: J1000 DIMENSION DRAWING FRAME SIZE 1 NEMA TYPE 1 ENCLOSURE BA0001F TO 0002F, 2A0001F TO 0002F
UNITS: IN[mm]			CHECKED: J. PIOTROWSKI DATE 4-16-09	TECH: J. CAIRO DATE 5-11-09
SCALE: BY VIEW			APPROVED: T. SASADA DATE 5-14-09	ORIGINAL DESIGN: - DATE -
			SIZE A	REVISION R00
		DRAWING #: DD.J1K.FR1.N1		

MINIMUM INSTALLATION CLEARANCES (SCALE 1:4)



NOTE:
FOR SIDE-BY-SIDE MOUNTING
CONSULT MANUAL

PANEL CUTOUT FOR EXTERNAL HEATSINK
MOUNTING CONFIGURATION (SCALE 1:4)

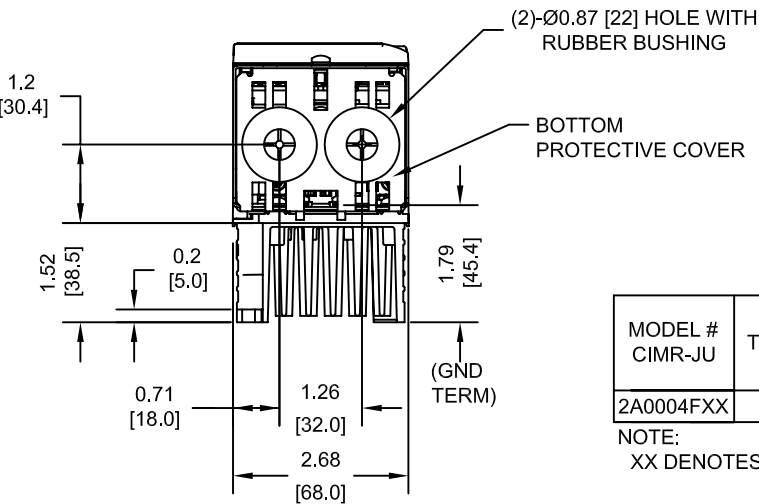
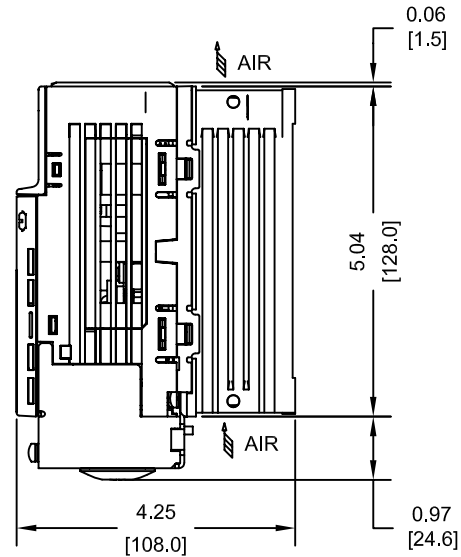
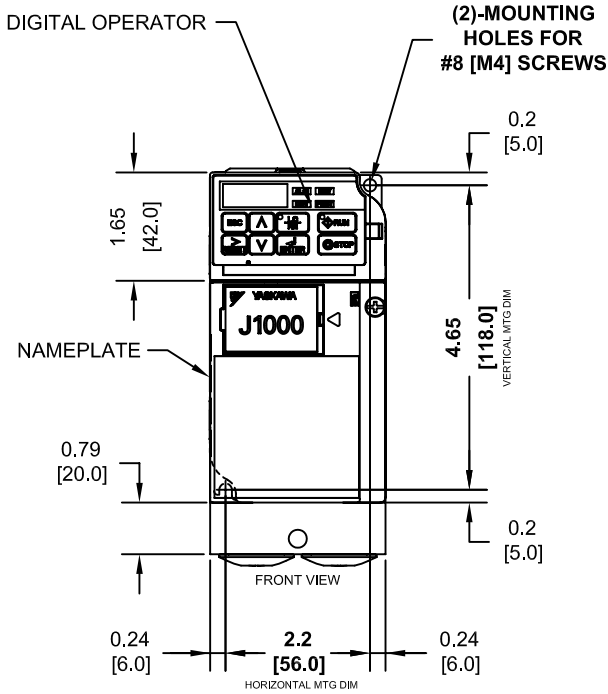
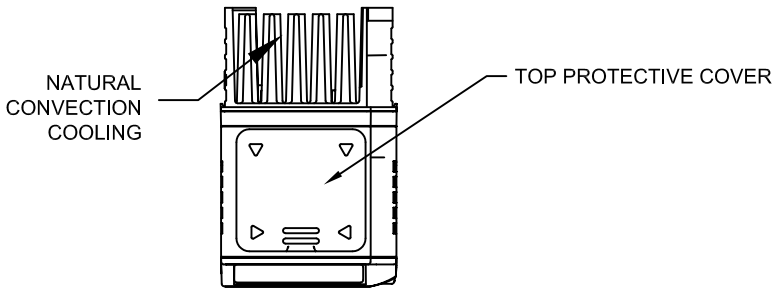


NOTES:
1. EXTERNAL HEATSINK
CONFIGURATION REQUIRES
MOUNTING KIT
2. EXPOSED HEATSINK
RECOMMENDED CLEARANCE
D=1.18" MINUS PANEL THICKNESS

TOLERANCES / REFERENCES:			DRAWN: J. MATTAS	DATE: 11-20-08	TITLE: J1000 DIMENSION DRAWING FRAME SIZE 1 NEMA TYPE 1 ENCLOSURE BA0001F TO 0002F, 2A0001F TO 0002F
			CHECKED: J. PIOTROWSKI	DATE: 4-16-09	
THIS DOCUMENT AND INFORMATION CONTAINED IN IT ARE CONFIDENTIAL, AND CANNOT BE COPIED OR DISCLOSED IN WHOLE OR IN PART WITHOUT THE EXPRESS WRITTEN CONSENT OF YASKAWA ELECTRIC AMERICA INC.		TECH: J. CAIRO		DATE: 5-11-09	SIZE: A REVISION: R00 PAGE: 3 of 3
		APPROVED: T. SASADA		DATE: 5-14-09	
UNITS: IN[mm]	SCALE: BY VIEW	ORIGINAL DESIGN: -	DATE: -	DRAWING #: DD.J1K.FR1.N1	

NOTE:

PROTECTIVE COVERS ARE FACTORY INSTALLED TO THE TOP AND BOTTOM OF THE DRIVE TO MEET IP20 & NEMA TYPE 1 REQUIREMENTS, RESULTING IN AN AMBIENT TEMPERATURE RATING OF 104F(40C). REMOVE THESE COVERS WHEN OPERATING THE DRIVE WITHIN A PANEL TO OBTAIN THE MAXIMUM SURROUNDING AIR TEMPERATURE RATING OF 122F(50C). REMOVING THESE COVERS RESULTS IN AN ENCLOSURE RATING OF IP00.



MODEL # CIMR-JU	VOLTAGE THREE PHASE (VAC)	OUTPUT CURRENT (A)		WEIGHT LBS (Kg)	HEAT LOSS (W)					
		ND	HD		ND (Fc=2kHz)			HD (Fc=8kHz)		
					INT	EXT	TOT	INT	EXT	TOT
2A0004FXX	208/240	3.5	3.0	2.4 (1.1)	13.6	15.8	29.4	11.5	16.2	27.7

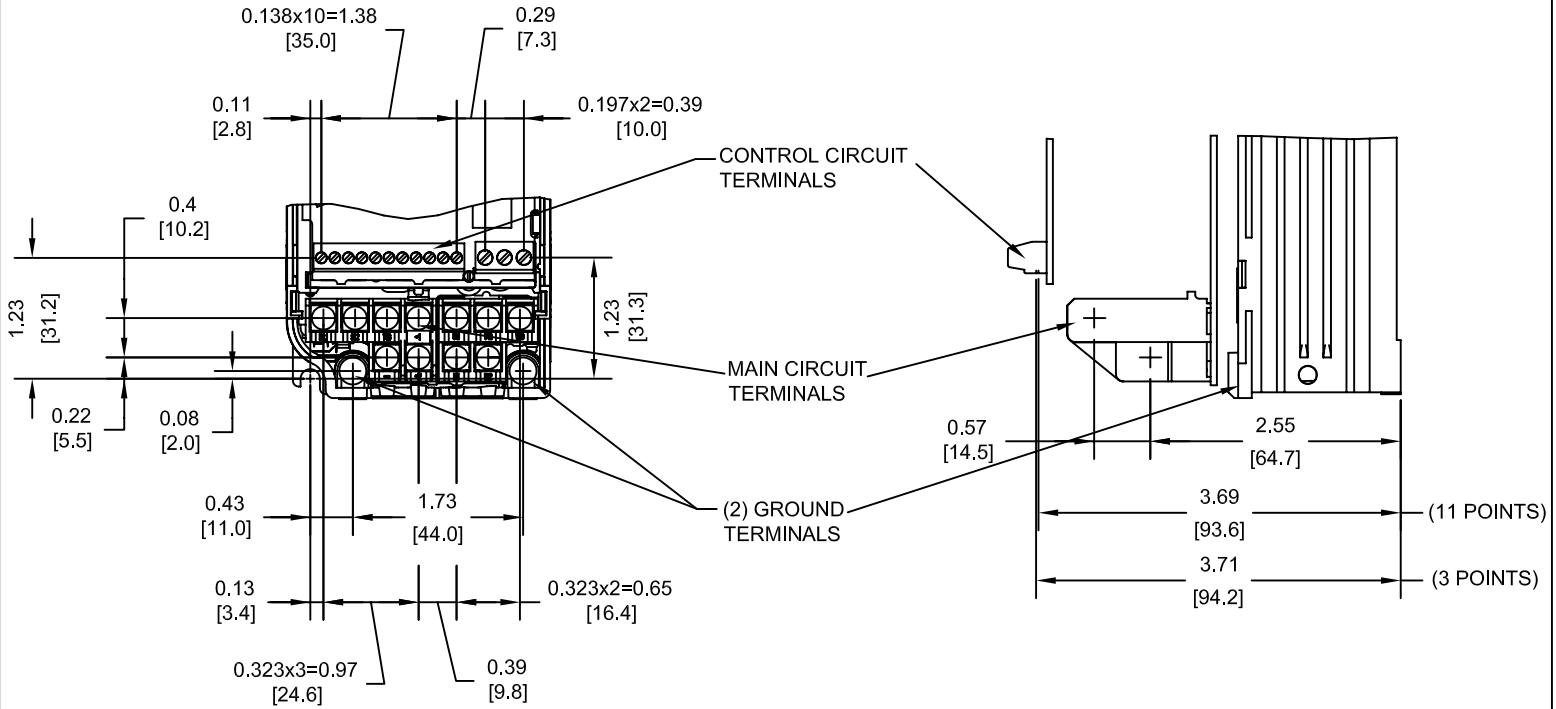
NOTE:
XX DENOTES AA-ZZ

INT=INTERNAL COMPONENTS
EXT=EXTERNAL HEATSINK
TOT=TOTAL

FOR ADDITIONAL DETAILS AND SPECIFICATIONS, CONSULT MANUAL

TOLERANCES / REFERENCES:		<p>YASKAWA The Drive for Quality™</p> <p>THIS DOCUMENT AND INFORMATION CONTAINED IN IT ARE CONFIDENTIAL, AND CANNOT BE COPIED OR DISCLOSED IN WHOLE OR IN PART WITHOUT THE EXPRESS WRITTEN CONSENT OF YASKAWA ELECTRIC AMERICA INC.</p>	DRAWN: J. MATTAS DATE 11-20-08	DATE 11-20-08	TITLE: J1000 DIMENSION DRAWING FRAME SIZE 2 NEMA TYPE 1 ENCLOSURE 2A0004F		
UNITS: IN[mm]	SCALE: 1:3		CHECKED: J. PIOTROWSKI DATE 4-16-09	DATE 4-16-09	SIZE A	REVISION R00	PAGE 1 of 3
			APPROVED: T. SASADA DATE 5-14-09	DATE 5-14-09	DRAWING #: DD.J1K.FR2.N1		
			ORIGINAL DESIGN: -	DATE -			

TERMINAL AND WIRING DETAILS (SCALE 1:2)



TERMINAL AND WIRE SPECIFICATIONS FOR
MAIN CIRCUIT AND GROUND

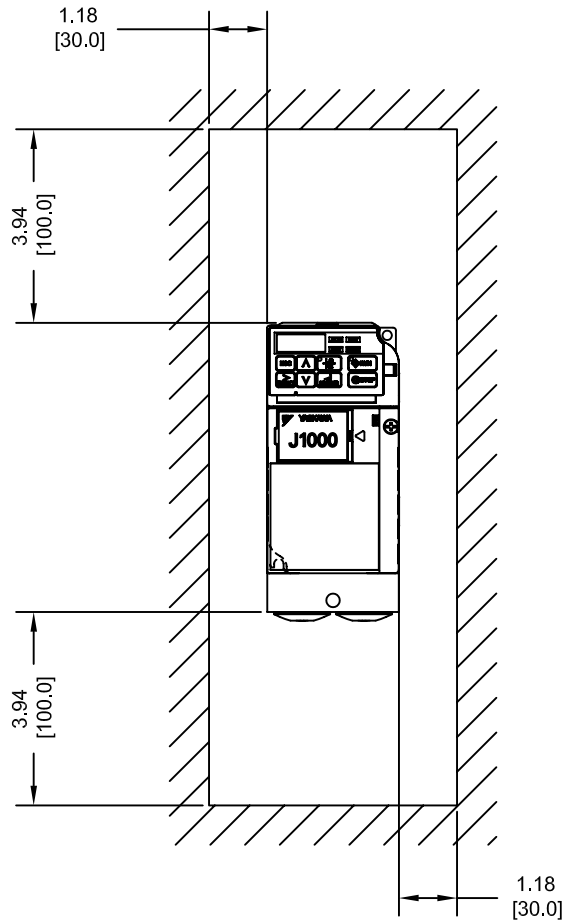
MODEL #	TERMINAL SCREW	CLAMPING TORQUE lb.in.(N.m.)	WIRE RANGE AWG(mm ²)
CIMR-JU	M3.5	7.1 TO 8.9 (0.8 TO 1.0)	22-14 (0.33-2.0)
2A0004F	M3.5	7.1 TO 8.9 (0.8 TO 1.0)	22-14 (0.33-2.0)

NOTE: RATINGS APPLY TO BOTH FACTORY AND FIELD WIRING
REFER TO APPLICABLE CODES FOR PROPER WIRE TYPE AND SIZE

FOR ADDITIONAL DETAILS AND SPECIFICATIONS, CONSULT MANUAL

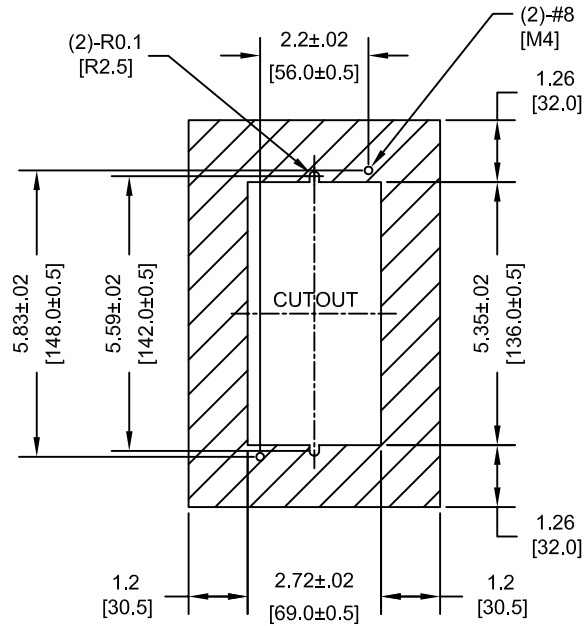
TOLERANCES / REFERENCES:		<p>THIS DOCUMENT AND INFORMATION CONTAINED IN IT ARE CONFIDENTIAL, AND CANNOT BE COPIED OR DISCLOSED IN WHOLE OR IN PART WITHOUT THE EXPRESS WRITTEN CONSENT OF YASKAWA ELECTRIC AMERICA INC.</p>	DRAWN: J. MATTAS CHECKED: J. PIOTROWSKI TECH: J. CAIRO APPROVED: T. SASADA ORIGINAL DESIGN: -	DATE 11-20-08 DATE 4-16-09 DATE 5-11-09 DATE 5-14-09 DATE -	TITLE: J1000 DIMENSION DRAWING FRAME SIZE 2 NEMA TYPE 1 ENCLOSURE 2A0004F
UNITS: IN[mm]	SCALE: BY VIEW		SIZE A	REVISION R00	PAGE 2 of 3
			DRAWING #: DD.J1K.FR2.N1		

MINIMUM INSTALLATION CLEARANCES (SCALE 1:4)



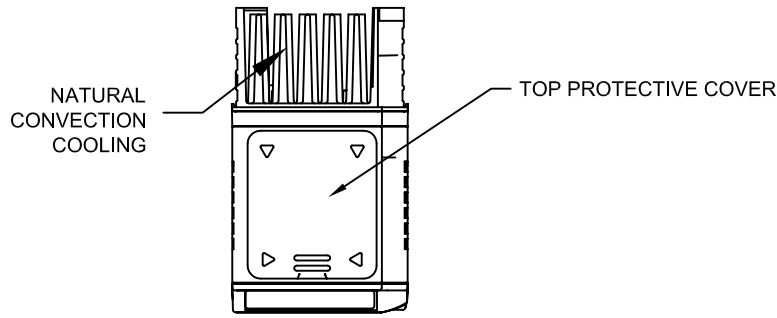
NOTE:
FOR SIDE-BY-SIDE MOUNTING
CONSULT MANUAL

PANEL CUTOUT FOR EXTERNAL HEATSINK
MOUNTING CONFIGURATION (SCALE 1:4)

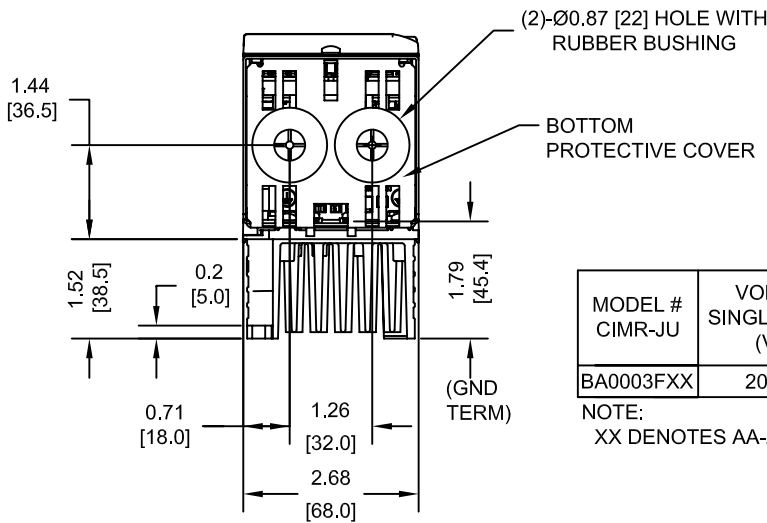
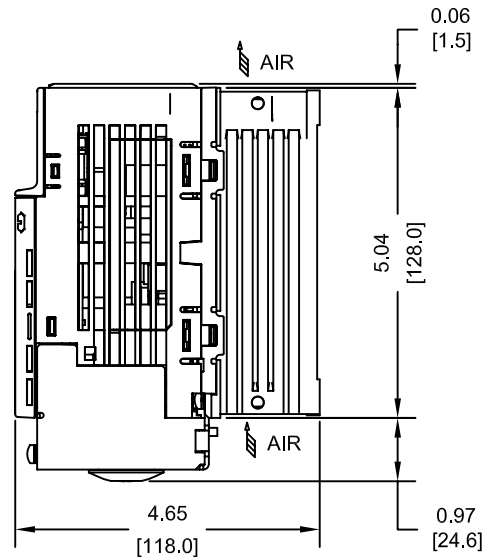
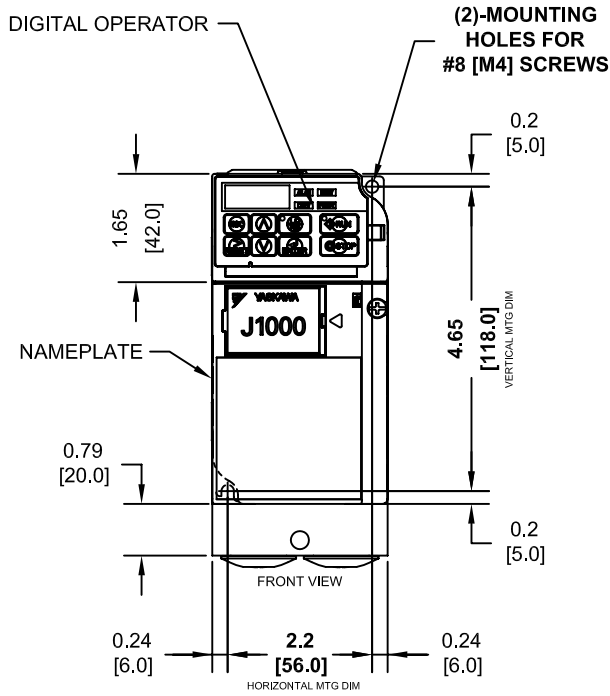


NOTES:
1. EXTERNAL HEATSINK
CONFIGURATION REQUIRES
MOUNTING KIT
2. EXPOSED HEATSINK
RECOMMENDED CLEARANCE
D=1.97" MINUS PANEL THICKNESS

TOLERANCES / REFERENCES:		<p>THIS DOCUMENT AND INFORMATION CONTAINED IN IT ARE CONFIDENTIAL, AND CANNOT BE COPIED OR DISCLOSED IN WHOLE OR IN PART WITHOUT THE EXPRESS WRITTEN CONSENT OF YASKAWA ELECTRIC AMERICA INC.</p>	DRAWN: J. MATTAS	DATE: 11-20-08	TITLE: J1000 DIMENSION DRAWING FRAME SIZE 2 NEMA TYPE 1 ENCLOSURE 2A0004F		
			CHECKED: J. PIOTROWSKI	DATE: 4-16-09			
			TECH: J. CAIRO	DATE: 5-11-09			
			APPROVED: T. SASADA	DATE: 5-14-09			
UNITS: IN[mm]	SCALE: BY VIEW	ORIGINAL DESIGN:		DATE:	SIZE: A	REVISION: R00	PAGE: 3 of 3
					DRAWING #: DD.J1K.FR2.N1		



NOTE:
 PROTECTIVE COVERS ARE FACTORY INSTALLED TO THE TOP AND BOTTOM OF THE DRIVE TO MEET IP20 & NEMA TYPE 1 REQUIREMENTS, RESULTING IN AN AMBIENT TEMPERATURE RATING OF 104F(40C). REMOVE THESE COVERS WHEN OPERATING THE DRIVE WITHIN A PANEL TO OBTAIN THE MAXIMUM SURROUNDING AIR TEMPERATURE RATING OF 122F(50C). REMOVING THESE COVERS RESULTS IN AN ENCLOSURE RATING OF IP00.



MODEL # CIMR-JU	VOLTAGE SINGLE PHASE (VAC)	OUTPUT CURRENT (A)		WEIGHT LBS (Kg)	HEAT LOSS (W)					
		ND	HD		ND (Fc=2kHz)			HD (Fc=8kHz)		
					INT	EXT	TOT	INT	EXT	TOT
BA0003FXX	208/240	3.2	3.0	2.6 (1.2)	14.4	14.6	29.0	11.5	16.1	27.6

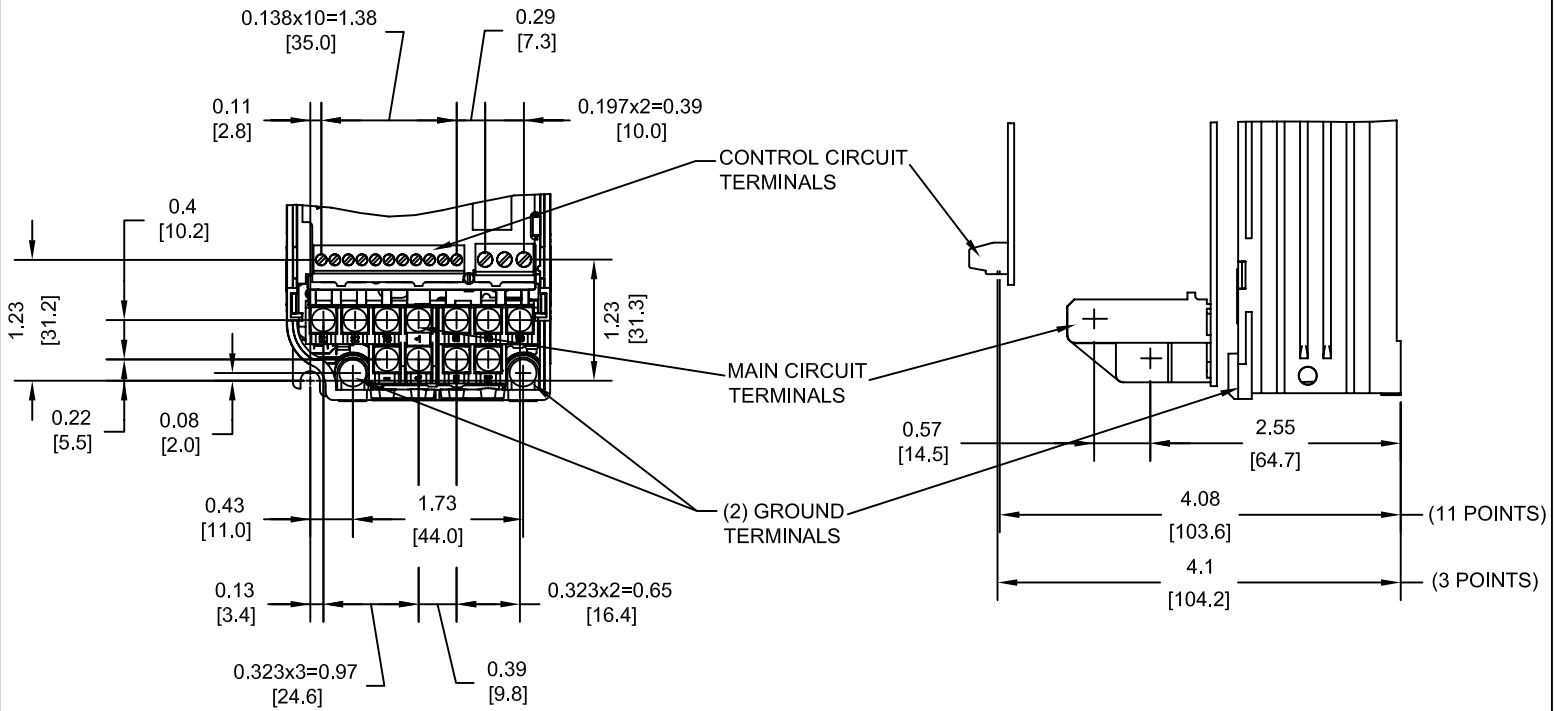
NOTE:
 XX DENOTES AA-ZZ

INT=INTERNAL COMPONENTS
 EXT=EXTERNAL HEATSINK
 TOT=TOTAL

FOR ADDITIONAL DETAILS AND SPECIFICATIONS, CONSULT MANUAL

TOLERANCES / REFERENCES:		<p>YASKAWA The Drive for Quality™</p> <p><i>THIS DOCUMENT AND INFORMATION CONTAINED IN IT ARE CONFIDENTIAL, AND CANNOT BE COPIED OR DISCLOSED IN WHOLE OR IN PART WITHOUT THE EXPRESS WRITTEN CONSENT OF YASKAWA ELECTRIC AMERICA INC.</i></p>	DRAWN: J. MATTAS DATE: 11-20-08	TITLE: J1000 DIMENSION DRAWING FRAME SIZE 3 NEMA TYPE 1 ENCLOSURE BA0003F
UNITS: IN[mm]	SCALE: 1:3		CHECKED: J. PIOTROWSKI DATE: 4-16-09	REVISION R00
			TECH: J. CAIRO DATE: 5-11-09	PAGE 1 of 3
			APPROVED: T. SASADA DATE: 5-14-09	DRAWING #: DD.J1K.FR3.N1

TERMINAL AND WIRING DETAILS (SCALE 1:2)



TERMINAL AND WIRE SPECIFICATIONS FOR
MAIN CIRCUIT AND GROUND

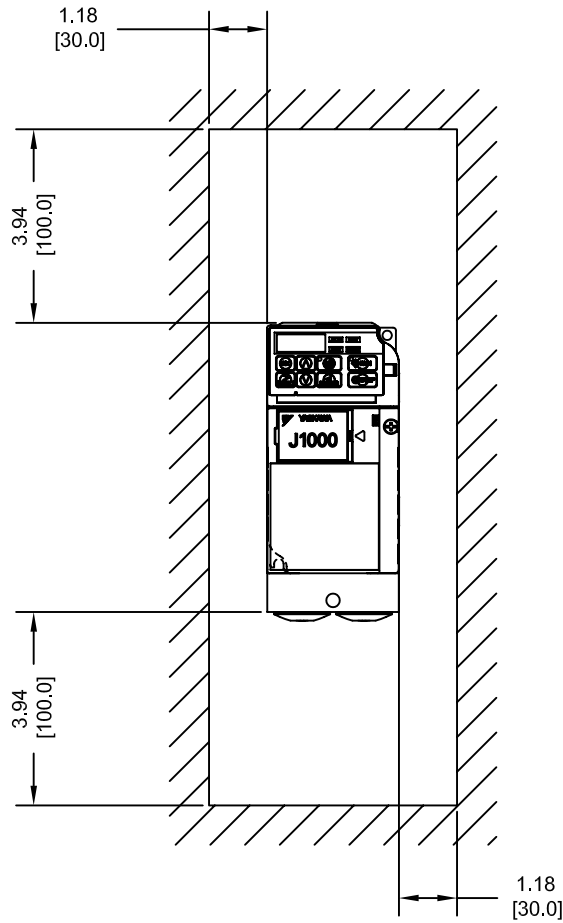
MODEL #	TERMINAL SCREW	CLAMPING TORQUE lb.in.(N.m.)	WIRE RANGE AWG(mm ²)
CIMR-JU	M3.5	7.1 TO 8.9 (0.8 TO 1.0)	22-14 (0.33-2.0)
BA0003F	M3.5	7.1 TO 8.9 (0.8 TO 1.0)	22-14 (0.33-2.0)

NOTE: RATINGS APPLY TO BOTH FACTORY AND FIELD WIRING
REFER TO APPLICABLE CODES FOR PROPER WIRE TYPE AND SIZE

FOR ADDITIONAL DETAILS AND SPECIFICATIONS, CONSULT MANUAL

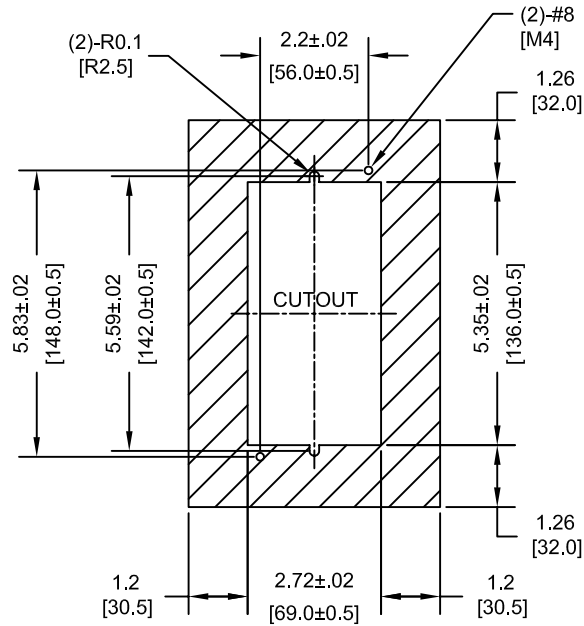
TOLERANCES / REFERENCES:		<p>THIS DOCUMENT AND INFORMATION CONTAINED IN IT ARE CONFIDENTIAL, AND CANNOT BE COPIED OR DISCLOSED IN WHOLE OR IN PART WITHOUT THE EXPRESS WRITTEN CONSENT OF YASKAWA ELECTRIC AMERICA INC.</p>	DRAWN: J. MATTAS DATE: 11-20-08	TITLE: J1000 DIMENSION DRAWING FRAME SIZE 3 NEMA TYPE 1 ENCLOSURE BA0003F
			CHECKED: J. PIOTROWSKI DATE: 4-16-09	SIZE: A REVISION: R00 PAGE: 2 of 3
			TECH: J. CAIRO DATE: 5-11-09	DRAWING #: DD.J1K.FR3.N1
			APPROVED: T. SASADA DATE: 5-14-09	
UNITS: IN[mm]	SCALE: BY VIEW	ORIGINAL DESIGN: -	DATE: -	

MINIMUM INSTALLATION CLEARANCES (SCALE 1:4)



NOTE:
FOR SIDE-BY-SIDE MOUNTING
CONSULT MANUAL

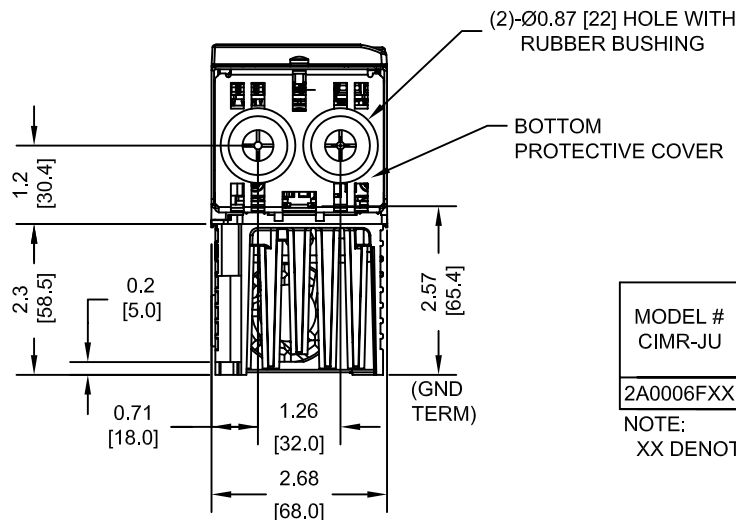
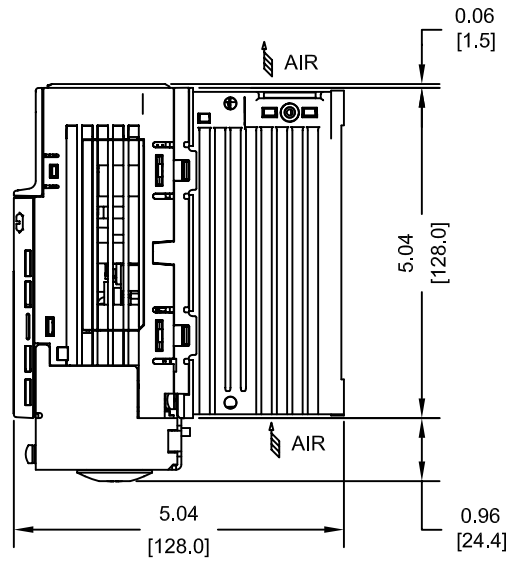
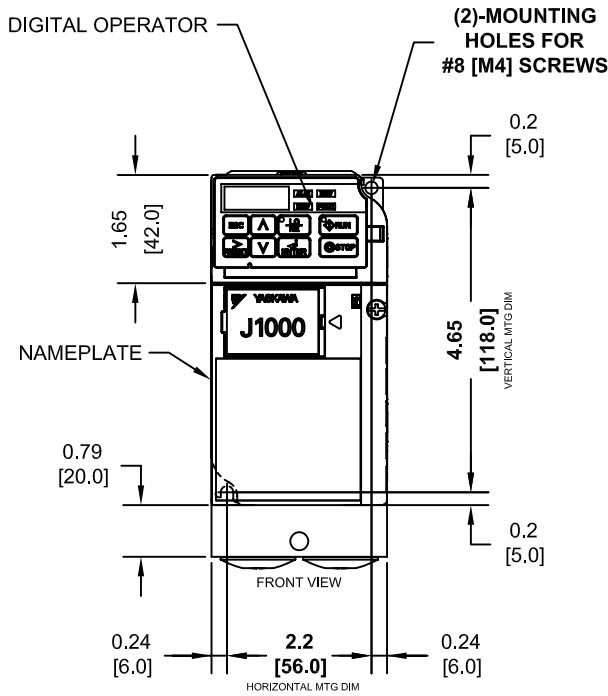
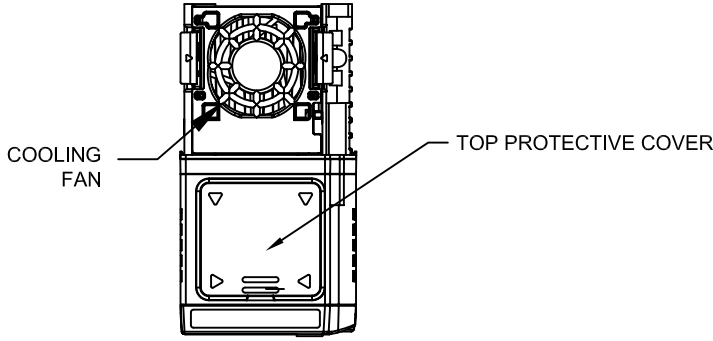
PANEL CUTOUT FOR EXTERNAL HEATSINK
MOUNTING CONFIGURATION (SCALE 1:4)



NOTES:
1. EXTERNAL HEATSINK
CONFIGURATION REQUIRES
MOUNTING KIT
2. EXPOSED HEATSINK
RECOMMENDED CLEARANCE
D=1.97" MINUS PANEL THICKNESS

TOLERANCES / REFERENCES:		<p>YASKAWA The Drive for Quality™</p> <p>THIS DOCUMENT AND INFORMATION CONTAINED IN IT ARE CONFIDENTIAL, AND CANNOT BE COPIED OR DISCLOSED IN WHOLE OR IN PART WITHOUT THE EXPRESS WRITTEN CONSENT OF YASKAWA ELECTRIC AMERICA INC.</p>	DRAWN: J. MATTAS DATE 11-20-08	DATE 11-20-08	TITLE: J1000 DIMENSION DRAWING FRAME SIZE 3 NEMA TYPE 1 ENCLOSURE BA0003F
			CHECKED: J. PIOTROWSKI DATE 4-16-09	DATE 4-16-09	
			TECH: J. CAIRO DATE 5-11-09	DATE 5-11-09	
			APPROVED: T. SASADA DATE 5-14-09	DATE 5-14-09	
UNITS: IN[mm]	SCALE: BY VIEW	ORIGINAL DESIGN:			DRAWING #: DD.J1K.FR3.N1
			SIZE A	REVISION R00	PAGE 3 of 3

NOTE:
 PROTECTIVE COVERS ARE FACTORY INSTALLED TO THE TOP AND BOTTOM OF THE DRIVE TO MEET IP20 & NEMA TYPE 1 REQUIREMENTS, RESULTING IN AN AMBIENT TEMPERATURE RATING OF 104F(40C). REMOVE THESE COVERS WHEN OPERATING THE DRIVE WITHIN A PANEL TO OBTAIN THE MAXIMUM SURROUNDING AIR TEMPERATURE RATING OF 122F(50C). REMOVING THESE COVERS RESULTS IN AN ENCLOSURE RATING OF IP00.



MODEL #	VOLTAGE THREE PHASE (VAC)	OUTPUT CURRENT (A)		WEIGHT LBS (Kg)	HEAT LOSS (W)					
		ND	HD		ND (Fc=2kHz)			HD (Fc=8kHz)		
					INT	EXT	TOT	INT	EXT	TOT
2A0006FXX	208/240	6.0	5.0	2.9 (1.3)	17.2	27.5	44.7	15.9	27.4	43.3

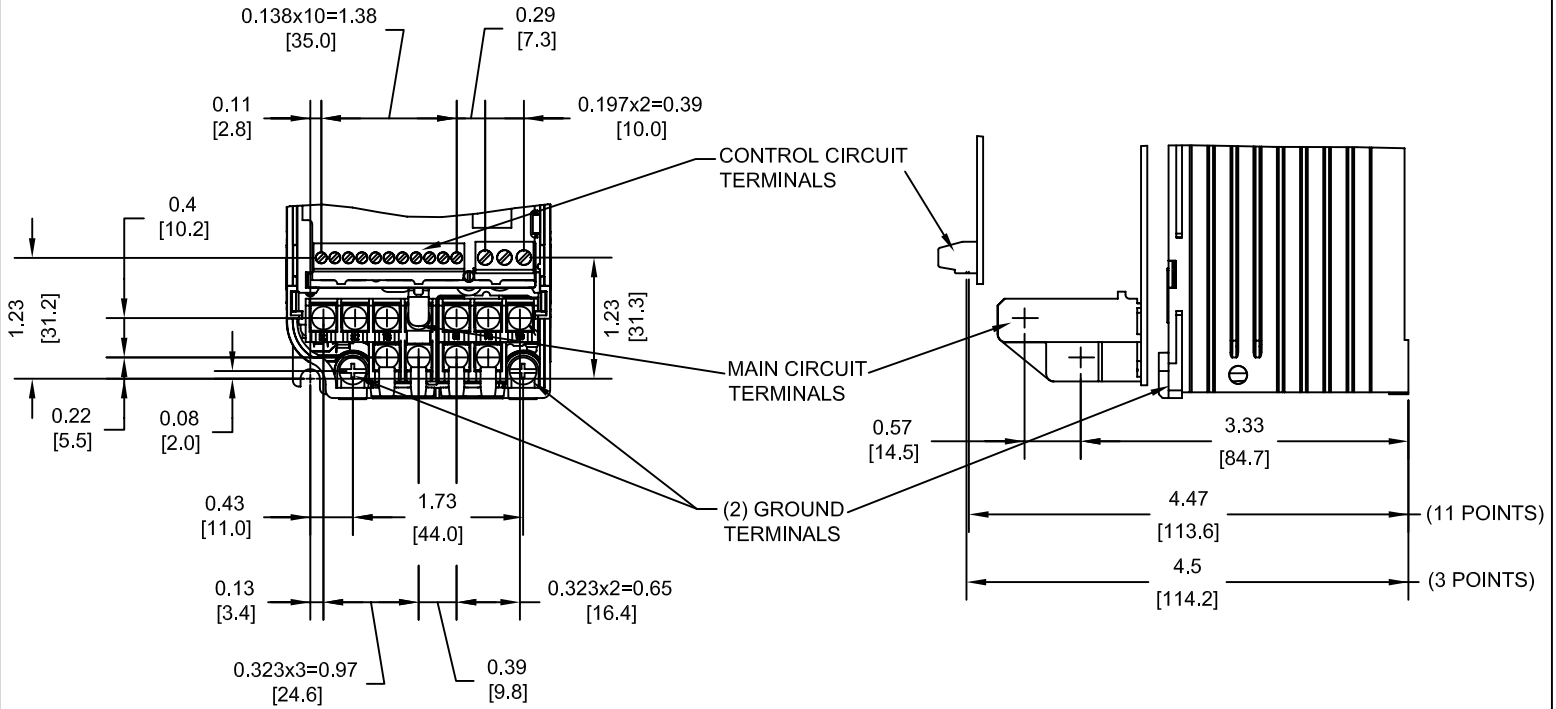
NOTE:
 XX DENOTES AA-ZZ

INT=INTERNAL COMPONENTS
 EXT=EXTERNAL HEATSINK
 TOT=TOTAL

FOR ADDITIONAL DETAILS AND SPECIFICATIONS, CONSULT MANUAL

TOLERANCES / REFERENCES:		<p>YASKAWA The Drive for Quality™</p> <p><i>THIS DOCUMENT AND INFORMATION CONTAINED IN IT ARE CONFIDENTIAL, AND CANNOT BE COPIED OR DISCLOSED IN WHOLE OR IN PART WITHOUT THE EXPRESS WRITTEN CONSENT OF YASKAWA ELECTRIC AMERICA INC.</i></p>	DRAWN: J. MATTAS DATE: 11-20-08	TITLE: J1000 DIMENSION DRAWING FRAME SIZE 4 NEMA TYPE 1 ENCLOSURE 2A0006F		
UNITS: IN[mm]	SCALE: 1:3		CHECKED: J. PIOTROWSKI DATE: 4-16-09	SIZE A	REVISION R00	PAGE 1 of 3
			TECH: J. CAIRO DATE: 5-11-09	DRAWING #: DD.J1K.FR4.N1		
			APPROVED: T. SASADA DATE: 5-14-09			
		ORIGINAL DESIGN:				

TERMINAL AND WIRING DETAILS (SCALE 1:2)



TERMINAL AND WIRE SPECIFICATIONS FOR
MAIN CIRCUIT AND GROUND

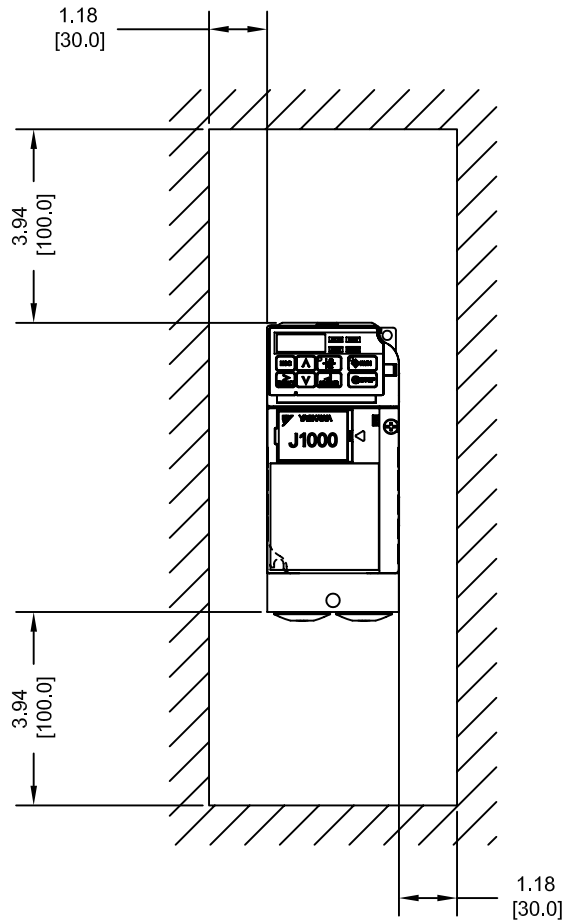
MODEL #	TERMINAL SCREW	CLAMPING TORQUE lb.in.(N.m.)	WIRE RANGE AWG(mm ²)
CIMR-JU	M3.5	7.1 TO 8.9 (0.8 TO 1.0)	22-14 (0.33-2.0)
2A0006F	M3.5	7.1 TO 8.9 (0.8 TO 1.0)	22-14 (0.33-2.0)

NOTE: RATINGS APPLY TO BOTH FACTORY AND FIELD WIRING
REFER TO APPLICABLE CODES FOR PROPER WIRE TYPE AND SIZE

FOR ADDITIONAL DETAILS AND SPECIFICATIONS, CONSULT MANUAL

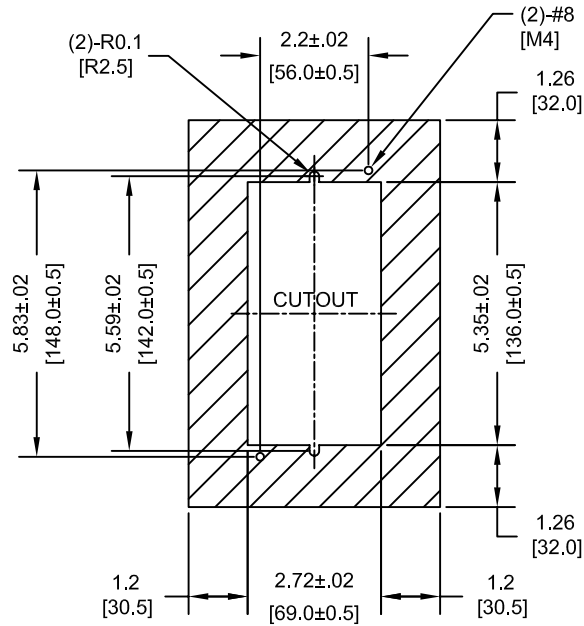
TOLERANCES / REFERENCES:		<p>THIS DOCUMENT AND INFORMATION CONTAINED IN IT ARE CONFIDENTIAL, AND CANNOT BE COPIED OR DISCLOSED IN WHOLE OR IN PART WITHOUT THE EXPRESS WRITTEN CONSENT OF YASKAWA ELECTRIC AMERICA INC.</p>	DRAWN: J. MATTAS DATE: 11-20-08	DATE: 11-20-08	TITLE: J1000 DIMENSION DRAWING FRAME SIZE 4 NEMA TYPE 1 ENCLOSURE 2A0006F
			CHECKED: J. PIOTROWSKI DATE: 4-16-09	DATE: 4-16-09	
			TECH: J. CAIRO DATE: 5-11-09	DATE: 5-11-09	
			APPROVED: T. SASADA DATE: 5-14-09	DATE: 5-14-09	
UNITS: IN[mm]	SCALE: BY VIEW	ORIGINAL DESIGN: -	DATE: -	SIZE: A REVISION: R00 PAGE: 2 of 3	DRAWING #: DD.J1K.FR4.N1

MINIMUM INSTALLATION CLEARANCES (SCALE 1:4)



NOTE:
FOR SIDE-BY-SIDE MOUNTING
CONSULT MANUAL

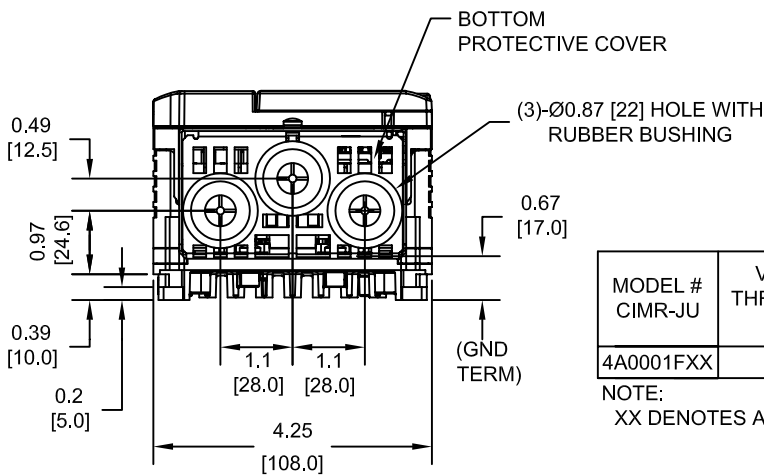
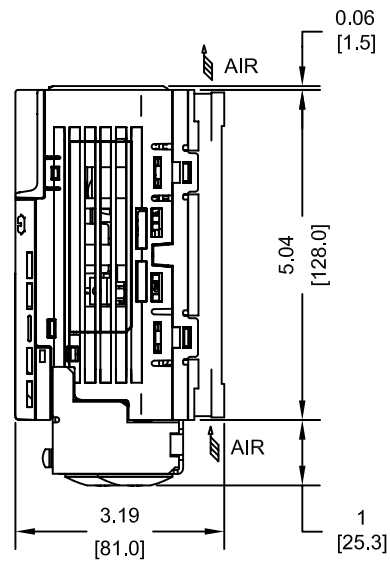
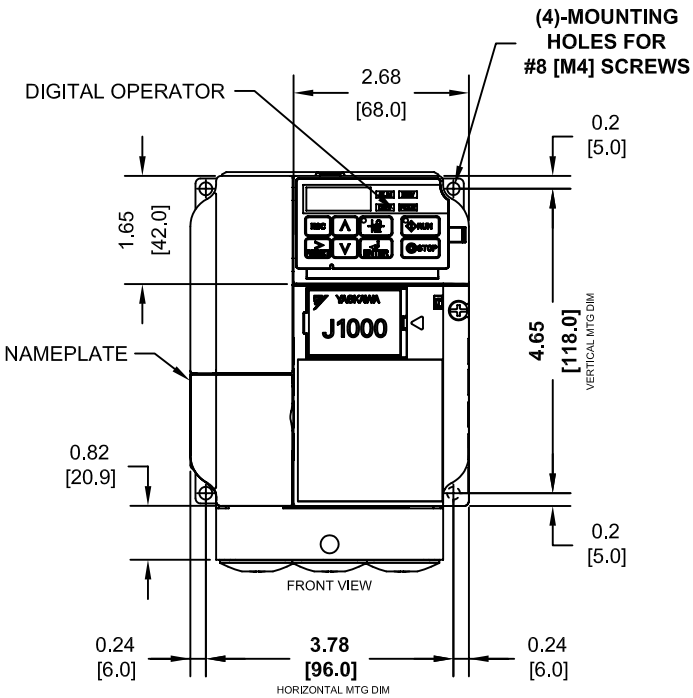
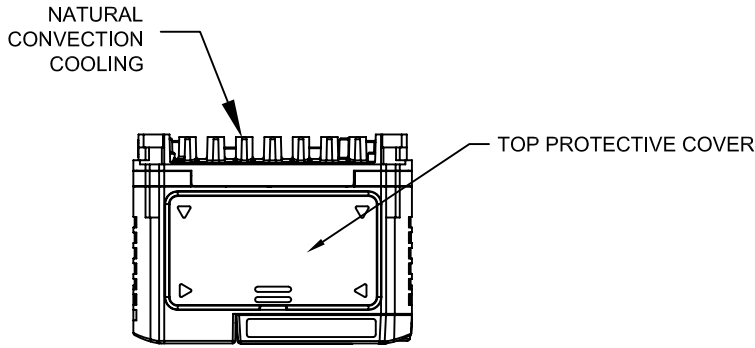
PANEL CUTOUT FOR EXTERNAL HEATSINK
MOUNTING CONFIGURATION (SCALE 1:4)



NOTES:
1. EXTERNAL HEATSINK
CONFIGURATION REQUIRES
MOUNTING KIT
2. EXPOSED HEATSINK
RECOMMENDED CLEARANCE
D=2.76" MINUS PANEL THICKNESS

TOLERANCES / REFERENCES:		<p>THIS DOCUMENT AND INFORMATION CONTAINED IN IT ARE CONFIDENTIAL, AND CANNOT BE COPIED OR DISCLOSED IN WHOLE OR IN PART WITHOUT THE EXPRESS WRITTEN CONSENT OF YASKAWA ELECTRIC AMERICA INC.</p>	DRAWN: J. MATTAS	DATE: 11-20-08	TITLE: J1000 DIMENSION DRAWING FRAME SIZE 4 NEMA TYPE 1 ENCLOSURE 2A0006F		
			CHECKED: J. PIOTROWSKI	DATE: 4-16-09			
			TECH: J. CAIRO	DATE: 5-11-09			
			APPROVED: T. SASADA	DATE: 5-14-09			
UNITS: IN[mm]	SCALE: BY VIEW	ORIGINAL DESIGN:			SIZE: A	REVISION: R00	PAGE: 3 of 3
					DRAWING #: DD.J1K.FR4.N1		

NOTE:
 PROTECTIVE COVERS ARE FACTORY INSTALLED TO THE TOP AND BOTTOM OF THE DRIVE TO MEET IP20 & NEMA TYPE 1 REQUIREMENTS, RESULTING IN AN AMBIENT TEMPERATURE RATING OF 104F(40C). REMOVE THESE COVERS WHEN OPERATING THE DRIVE WITHIN A PANEL TO OBTAIN THE MAXIMUM SURROUNDING AIR TEMPERATURE RATING OF 122F(50C). REMOVING THESE COVERS RESULTS IN AN ENCLOSURE RATING OF IP00.



MODEL # CIMR-JU	VOLTAGE THREE PHASE (VAC)	OUTPUT CURRENT (A)		WEIGHT LBS (Kg)	HEAT LOSS (W)					
		ND	HD		ND (Fc=2kHz)			HD (Fc=8kHz)		
		INT	EXT	TOT	INT	EXT	TOT	INT	EXT	TOT
4A0001FXX	380/480	1.2	1.2	2.6 (1.2)	9.6	10.0	19.6	11.5	19.2	30.7

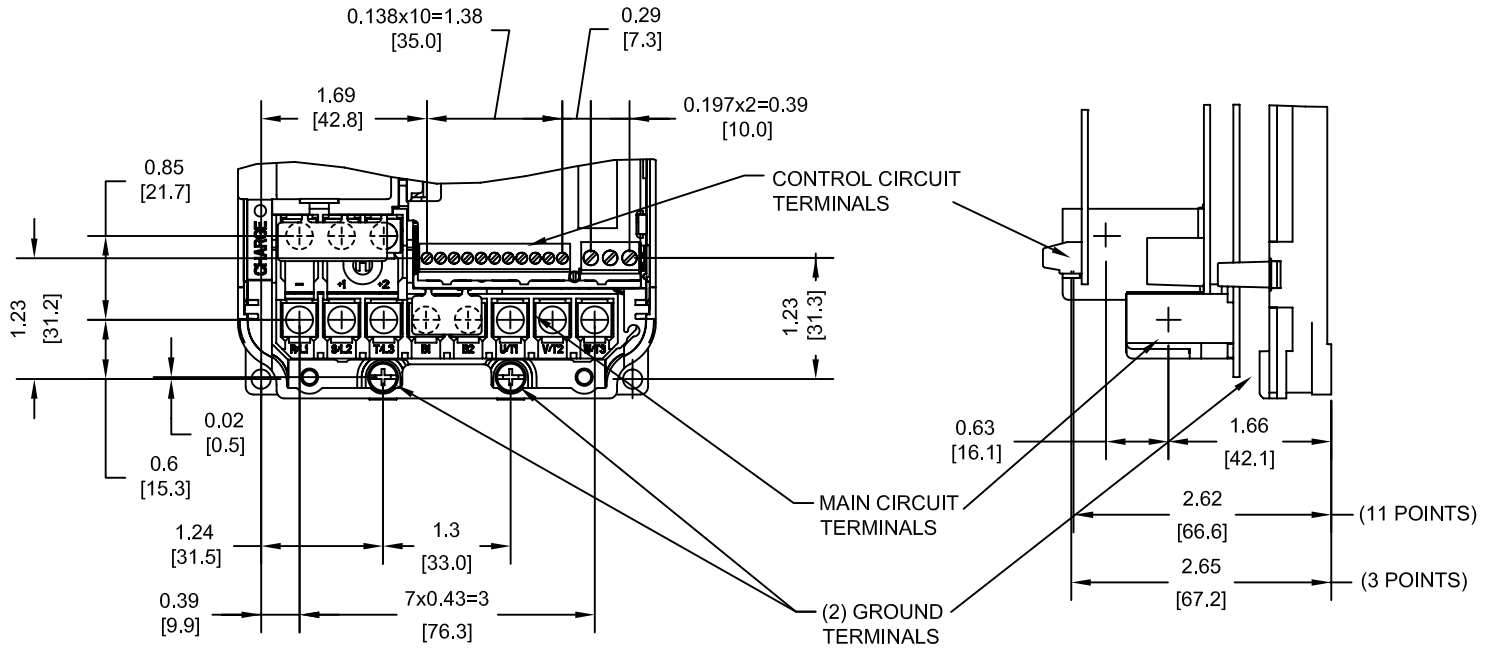
NOTE:
 XX DENOTES AA-ZZ

INT=INTERNAL COMPONENTS
 EXT=EXTERNAL HEATSINK
 TOT=TOTAL

FOR ADDITIONAL DETAILS AND SPECIFICATIONS, CONSULT MANUAL

TOLERANCES / REFERENCES:		<p>THIS DOCUMENT AND INFORMATION CONTAINED IN IT ARE CONFIDENTIAL, AND CANNOT BE COPIED OR DISCLOSED IN WHOLE OR IN PART WITHOUT THE EXPRESS WRITTEN CONSENT OF YASKAWA ELECTRIC AMERICA INC.</p>	DRAWN: J. MATTAS CHECKED: J. PIOTROWSKI TECH: J. CAIRO APPROVED: T. SASADA ORIGINAL DESIGN: -	DATE: 11-20-08 DATE: 4-16-09 DATE: 5-11-09 DATE: 5-14-09 DATE: -	TITLE: J1000 DIMENSION DRAWING FRAME SIZE 5 NEMA TYPE 1 ENCLOSURE 4A0001F	
UNITS: IN[mm]	SCALE: 1:3		SIZE A	REVISION R00	PAGE 1 of 3	
			DRAWING #: DD.J1K.FR5.N1			

TERMINAL AND WIRING DETAILS (SCALE 1:2)



TERMINAL AND WIRE SPECIFICATIONS FOR
MAIN CIRCUIT AND GROUND

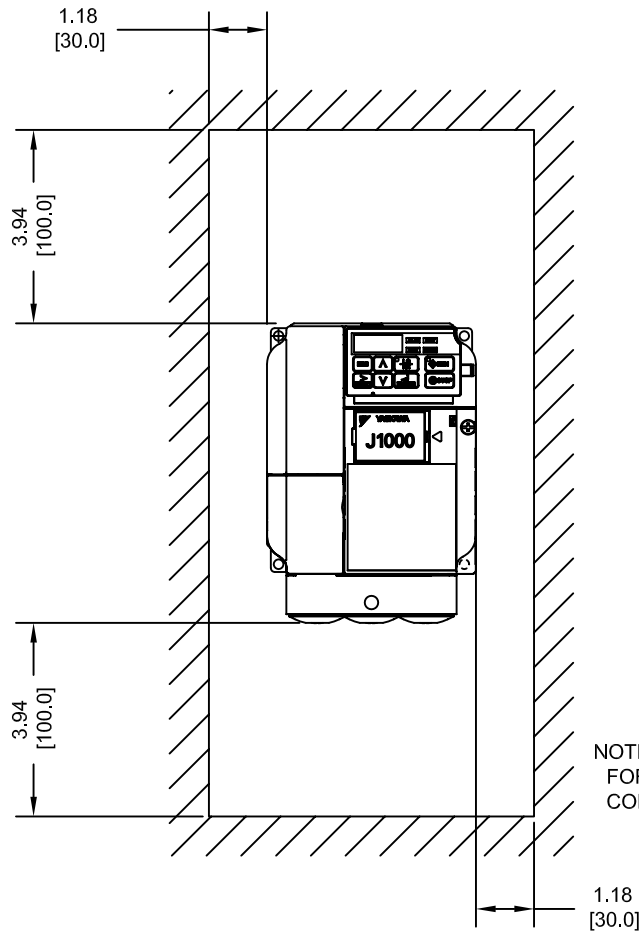
MODEL #	TERMINAL SCREW	CLAMPING TORQUE lb.in.(N.m.)	WIRE RANGE AWG(mm ²)
4A0001F	M4	10.6 TO 13.3 (1.2 TO 1.5)	22-10 (0.33-5.5)

NOTE: RATINGS APPLY TO BOTH FACTORY AND FIELD WIRING
REFER TO APPLICABLE CODES FOR PROPER WIRE TYPE AND SIZE

FOR ADDITIONAL DETAILS AND SPECIFICATIONS, CONSULT MANUAL

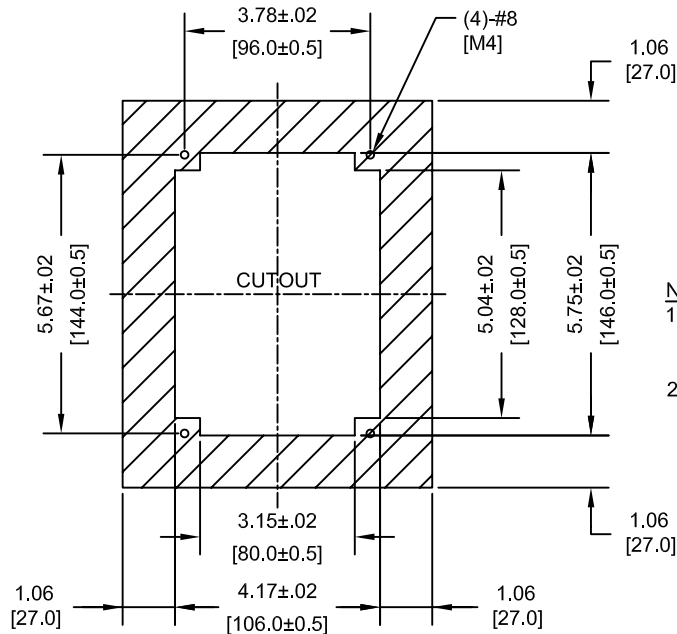
TOLERANCES / REFERENCES:		<p>THIS DOCUMENT AND INFORMATION CONTAINED IN IT ARE CONFIDENTIAL, AND CANNOT BE COPIED OR DISCLOSED IN WHOLE OR IN PART WITHOUT THE EXPRESS WRITTEN CONSENT OF YASKAWA ELECTRIC AMERICA INC.</p>	DRAWN: J. MATTAS DATE 11-20-08	TITLE: J1000 DIMENSION DRAWING FRAME SIZE 5 NEMA TYPE 1 ENCLOSURE 4A0001F		
UNITS: IN[mm]			CHECKED: J. PIOTROWSKI DATE 4-16-09	SIZE A	REVISION R00	PAGE 2 of 3
SCALE: BY VIEW			TECH: J. CAIRO DATE 5-11-09	APPROVED: T. SASADA DATE 5-14-09	DRAWING #: DD.J1K.FR5.N1	
			ORIGINAL DESIGN: -	DATE -		

MINIMUM INSTALLATION CLEARANCES (SCALE 1:4)



NOTE:
FOR SIDE-BY-SIDE MOUNTING
CONSULT MANUAL

PANEL CUTOUT FOR EXTERNAL HEATSINK
MOUNTING CONFIGURATION (SCALE 1:4)

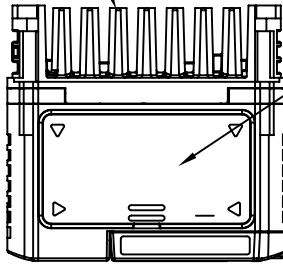


NOTES:
1. EXTERNAL HEATSINK
CONFIGURATION REQUIRES
MOUNTING KIT
2. EXPOSED HEATSINK
RECOMMENDED CLEARANCE
D=1.18" MINUS PANEL THICKNESS

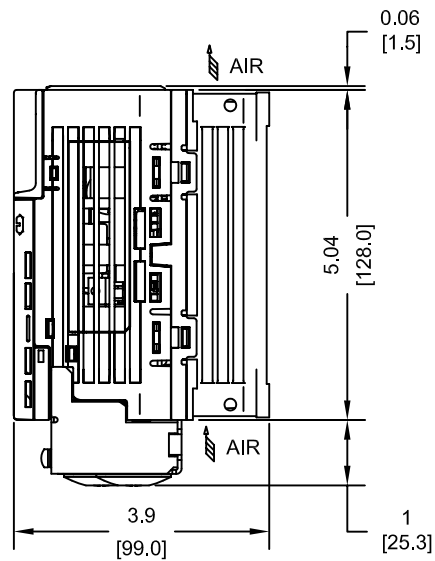
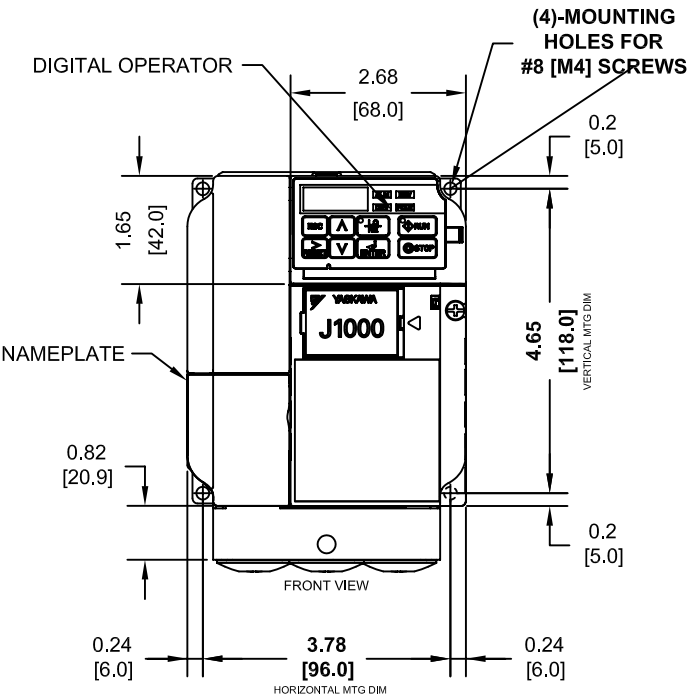
TOLERANCES / REFERENCES:		<p>YASKAWA The Drive for Quality™</p> <p>THIS DOCUMENT AND INFORMATION CONTAINED IN IT ARE CONFIDENTIAL, AND CANNOT BE COPIED OR DISCLOSED IN WHOLE OR IN PART WITHOUT THE EXPRESS WRITTEN CONSENT OF YASKAWA ELECTRIC AMERICA INC.</p>	DRAWN: J. MATTAS DATE 11-20-08	TITLE: J1000 DIMENSION DRAWING FRAME SIZE 5 NEMA TYPE 1 ENCLOSURE 4A0001F		
UNITS: IN[mm]			CHECKED: J. PIOTROWSKI DATE 4-16-09	SIZE A	REVISION R00	PAGE 3 of 3
SCALE: BY VIEW			TECH: J. CAIRO DATE 5-11-09	DATE 5-14-09	DRAWING #: DD.J1K.FR5.N1	
			APPROVED: T. SASADA DATE 5-14-09	ORIGINAL DESIGN: -		

NOTE:
 PROTECTIVE COVERS ARE FACTORY INSTALLED TO THE TOP AND BOTTOM OF THE DRIVE TO MEET IP20 & NEMA TYPE 1 REQUIREMENTS, RESULTING IN AN AMBIENT TEMPERATURE RATING OF 104F(40C). REMOVE THESE COVERS WHEN OPERATING THE DRIVE WITHIN A PANEL TO OBTAIN THE MAXIMUM SURROUNDING AIR TEMPERATURE RATING OF 122F(50C). REMOVING THESE COVERS RESULTS IN AN ENCLOSURE RATING OF IP00.

NATURAL CONVECTION COOLING

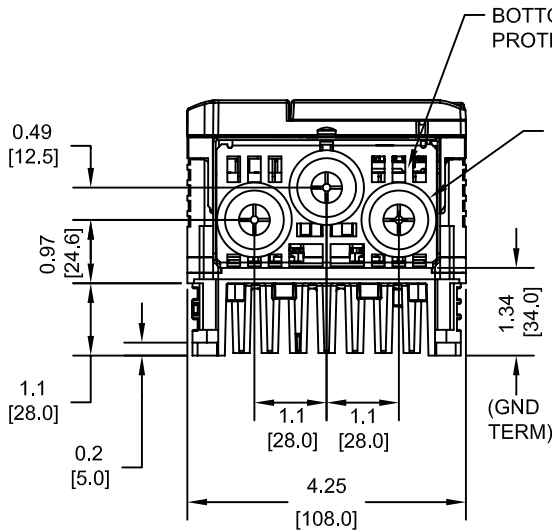


TOP PROTECTIVE COVER



BOTTOM PROTECTIVE COVER

(3)-Ø0.87 [22] HOLE WITH RUBBER BUSHING



MODEL # CIMR-JU	VOLTAGE THREE PHASE (VAC)	OUTPUT CURRENT (A)		WEIGHT LBS (Kg)	HEAT LOSS (W)					
		ND	HD		ND (Fc=2kHz)			HD (Fc=8kHz)		
					INT	EXT	TOT	INT	EXT	TOT
4A0002FXX	380/480	2.1	1.8	3.1 (1.4)	13.9	18.5	32.4	14.8	28.9	43.7

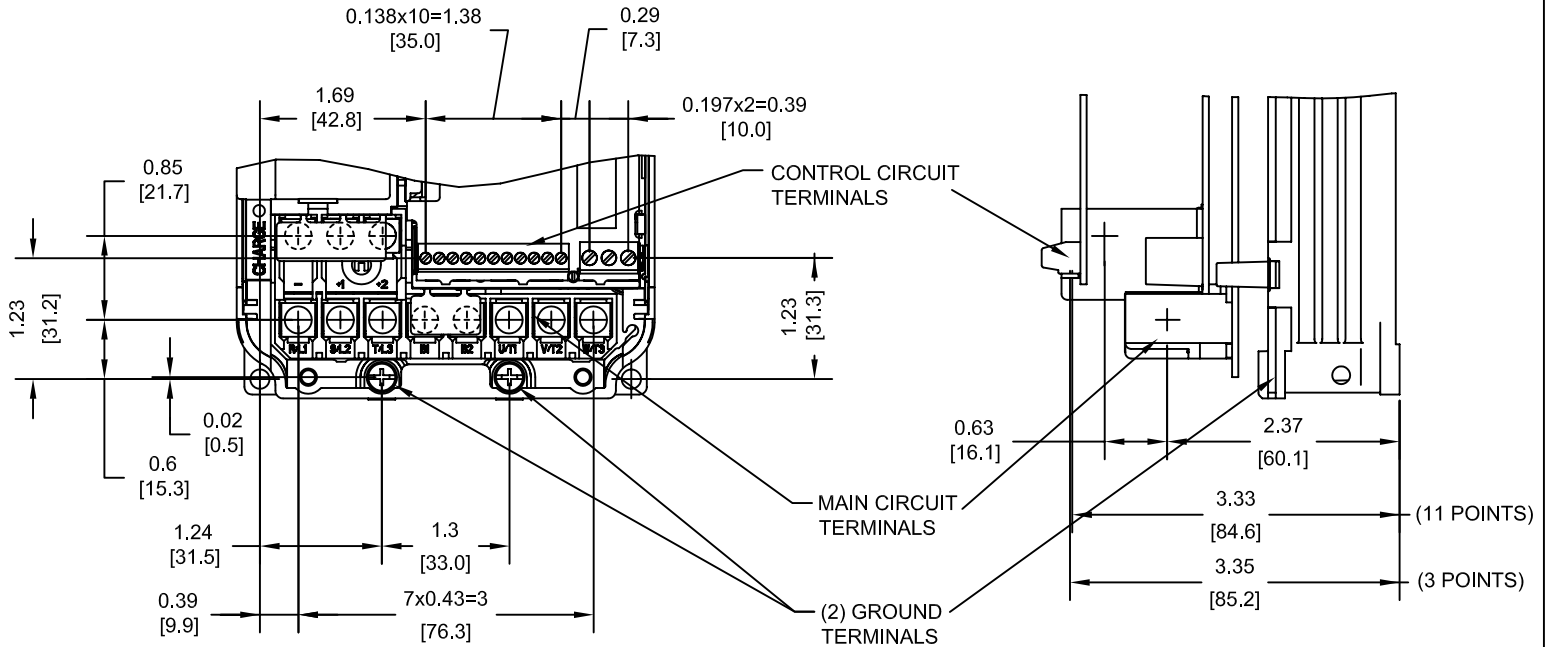
NOTE:
 XX DENOTES AA-ZZ

INT=INTERNAL COMPONENTS
 EXT=EXTERNAL HEATSINK
 TOT=TOTAL

FOR ADDITIONAL DETAILS AND SPECIFICATIONS, CONSULT MANUAL

TOLERANCES / REFERENCES:		<p>YASKAWA The Drive for Quality™</p> <p>THIS DOCUMENT AND INFORMATION CONTAINED IN IT ARE CONFIDENTIAL, AND CANNOT BE COPIED OR DISCLOSED IN WHOLE OR IN PART WITHOUT THE EXPRESS WRITTEN CONSENT OF YASKAWA ELECTRIC AMERICA INC.</p>	DRAWN: J. MATTAS CHECKED: J. PIOTROWSKI TECH: J. CAIRO APPROVED: T. SASADA ORIGINAL DESIGN: -	DATE: 11-20-08 DATE: 4-16-09 DATE: 5-11-09 DATE: 5-14-09 DATE: -	TITLE: J1000 DIMENSION DRAWING FRAME SIZE 6 NEMA TYPE 1 ENCLOSURE 4A0002F
UNITS: IN[mm]	SCALE: 1:3		SIZE A	REVISION R00	PAGE 1 of 3

TERMINAL AND WIRING DETAILS (SCALE 1:2)



TERMINAL AND WIRE SPECIFICATIONS FOR
MAIN CIRCUIT AND GROUND

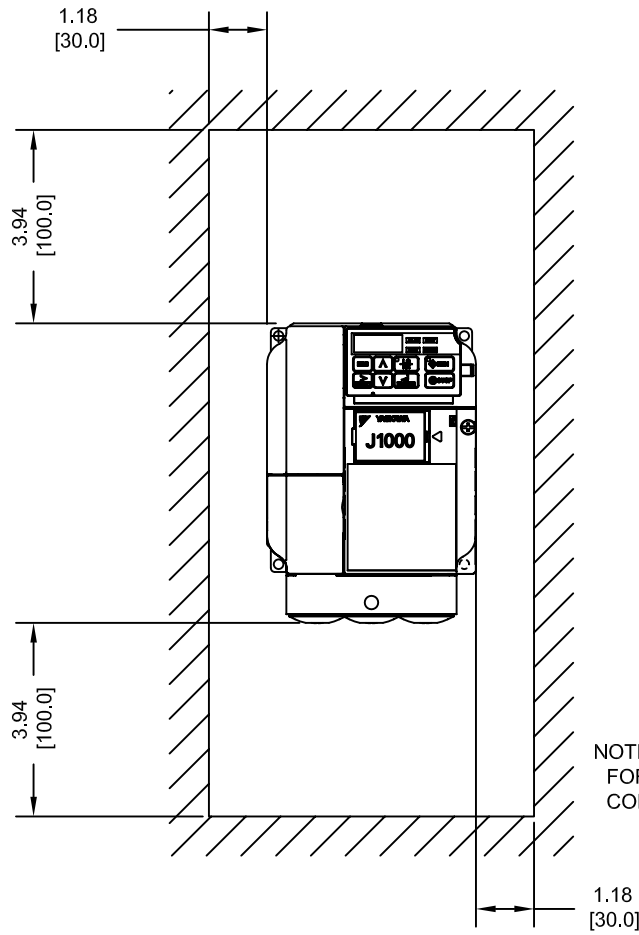
MODEL #	TERMINAL SCREW	CLAMPING TORQUE lb.in.(N.m.)	WIRE RANGE AWG(mm ²)
CIMR-JU	M4	10.6 TO 13.3 (1.2 TO 1.5)	22-10 (0.33-5.5)

NOTE: RATINGS APPLY TO BOTH FACTORY AND FIELD WIRING
REFER TO APPLICABLE CODES FOR PROPER WIRE TYPE AND SIZE

FOR ADDITIONAL DETAILS AND SPECIFICATIONS, CONSULT MANUAL

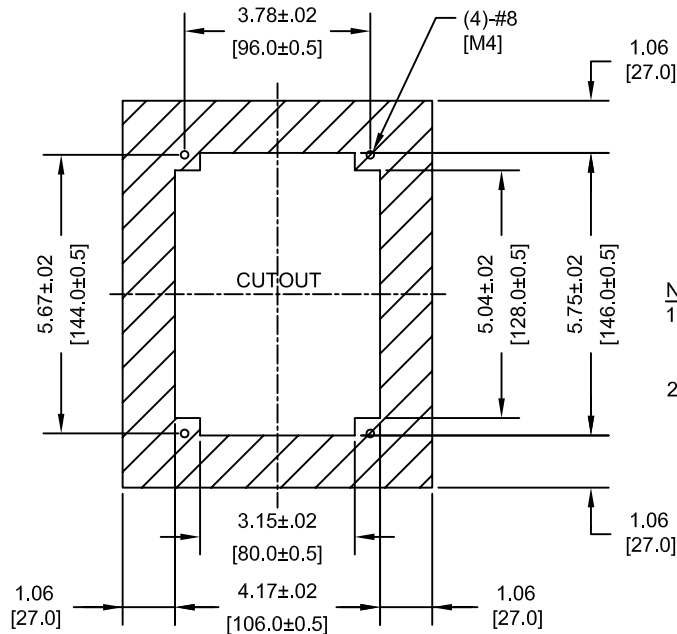
TOLERANCES / REFERENCES:		<p>THIS DOCUMENT AND INFORMATION CONTAINED IN IT ARE CONFIDENTIAL, AND CANNOT BE COPIED OR DISCLOSED IN WHOLE OR IN PART WITHOUT THE EXPRESS WRITTEN CONSENT OF YASKAWA ELECTRIC AMERICA INC.</p>	DRAWN: J. MATTAS DATE 11-20-08	TITLE: J1000 DIMENSION DRAWING FRAME SIZE 6 NEMA TYPE 1 ENCLOSURE 4A0002F		
UNITS: IN[mm]			CHECKED: J. PIOTROWSKI DATE 4-16-09	SIZE A	REVISION R00	PAGE 2 of 3
SCALE: BY VIEW			TECH: J. CAIRO DATE 5-11-09	DATE 5-14-09	DRAWING #: DD.J1K.FR6.N1	
			APPROVED: T. SASADA DATE 5-14-09	ORIGINAL DESIGN: - DATE -		

MINIMUM INSTALLATION CLEARANCES (SCALE 1:4)



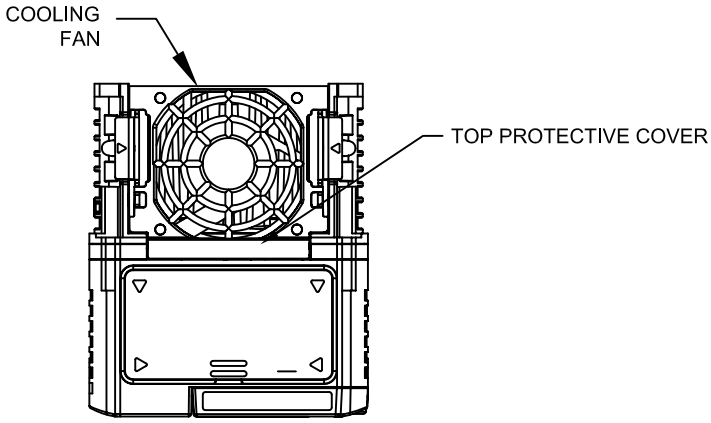
NOTE:
FOR SIDE-BY-SIDE MOUNTING
CONSULT MANUAL

PANEL CUTOUT FOR EXTERNAL HEATSINK
MOUNTING CONFIGURATION (SCALE 1:4)

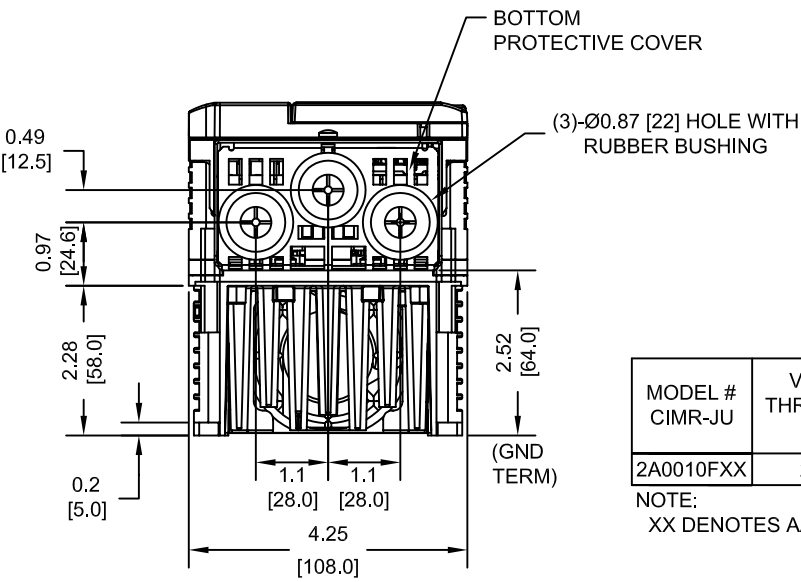
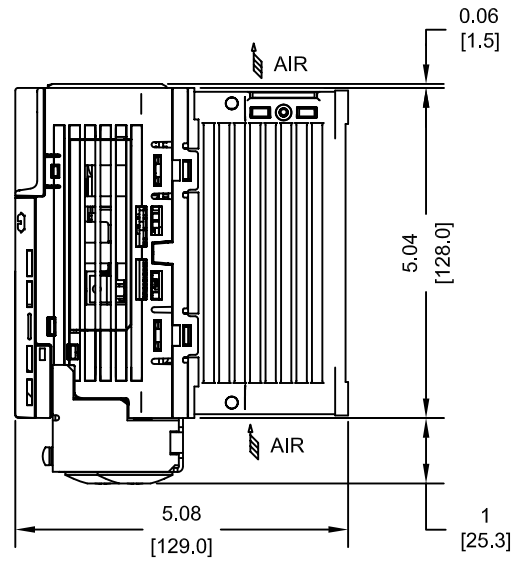
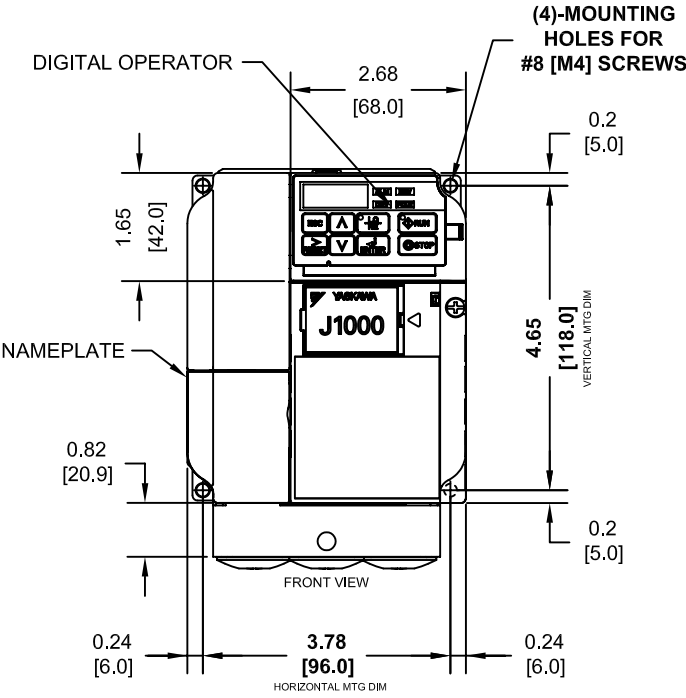


NOTES:
1. EXTERNAL HEATSINK
CONFIGURATION REQUIRES
MOUNTING KIT
2. EXPOSED HEATSINK
RECOMMENDED CLEARANCE
D=1.57" MINUS PANEL THICKNESS

TOLERANCES / REFERENCES:		<p>YASKAWA The Drive for Quality™</p> <p>THIS DOCUMENT AND INFORMATION CONTAINED IN IT ARE CONFIDENTIAL, AND CANNOT BE COPIED OR DISCLOSED IN WHOLE OR IN PART WITHOUT THE EXPRESS WRITTEN CONSENT OF YASKAWA ELECTRIC AMERICA INC.</p>	DRAWN: J. MATTAS DATE 11-20-08	TITLE: J1000 DIMENSION DRAWING FRAME SIZE 6 NEMA TYPE 1 ENCLOSURE 4A0002F		
UNITS: IN[mm]			CHECKED: J. PIOTROWSKI DATE 4-16-09	SIZE A	REVISION R00	PAGE 3 of 3
SCALE: BY VIEW			TECH: J. CAIRO DATE 5-11-09	DATE 5-14-09	DRAWING #: DD.J1K.FR6.N1	
			APPROVED: T. SASADA DATE 5-14-09	ORIGINAL DESIGN: -		



NOTE:
 PROTECTIVE COVERS ARE FACTORY INSTALLED TO THE TOP AND BOTTOM OF THE DRIVE TO MEET IP20 & NEMA TYPE 1 REQUIREMENTS, RESULTING IN AN AMBIENT TEMPERATURE RATING OF 104F(40C). REMOVE THESE COVERS WHEN OPERATING THE DRIVE WITHIN A PANEL TO OBTAIN THE MAXIMUM SURROUNDING AIR TEMPERATURE RATING OF 122F(50C). REMOVING THESE COVERS RESULTS IN AN ENCLOSURE RATING OF IP00.



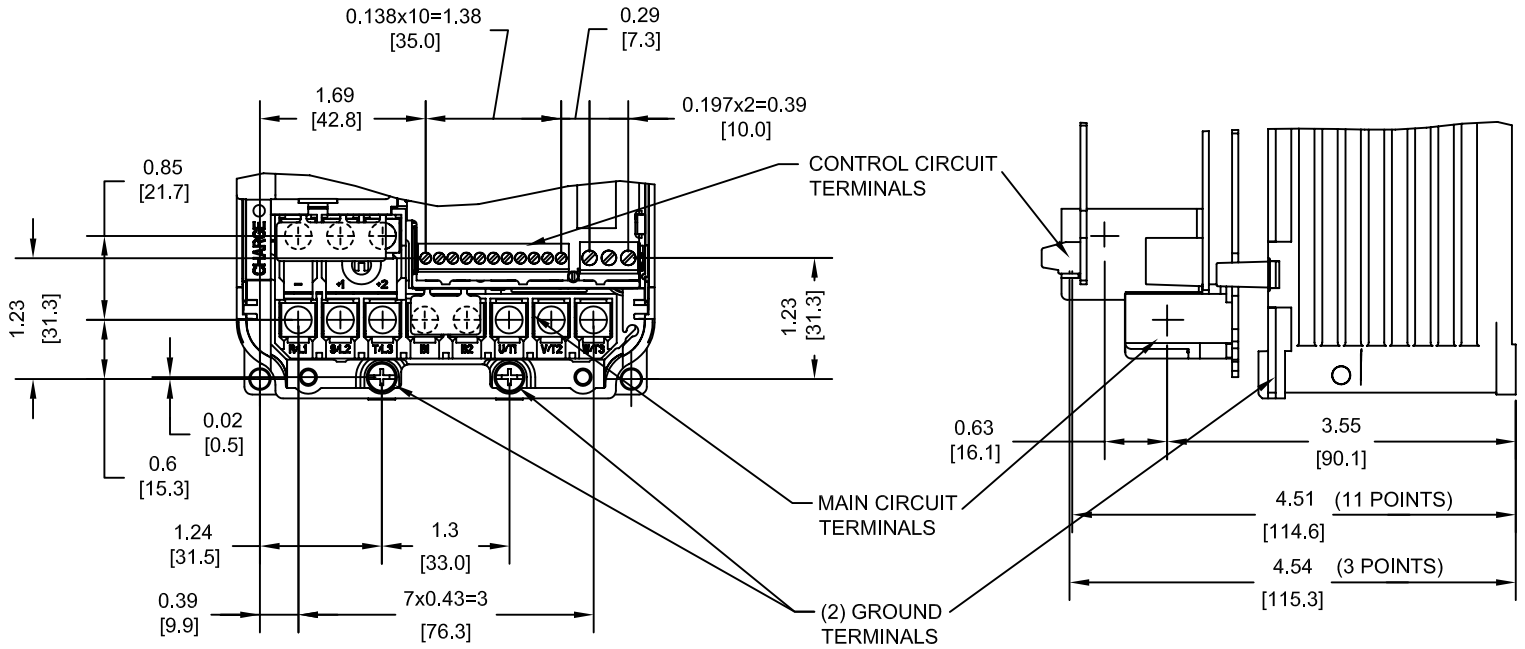
MODEL # CIMR-JU	VOLTAGE THREE PHASE (VAC)	OUTPUT CURRENT (A)		WEIGHT LBS (Kg)	HEAT LOSS (W)					
		ND	HD		ND (Fc=2kHz)			HD (Fc=8kHz)		
		INT	EXT	TOT	INT	EXT	TOT	INT	EXT	TOT
2A0010FXX	208/240	9.6	8.0	4.2 (1.9)	25.8	51.7	77.5	23.8	54.8	78.6

NOTE:
 XX DENOTES AA-ZZ
 INT=INTERNAL COMPONENTS
 EXT=EXTERNAL HEATSINK
 TOT=TOTAL

FOR ADDITIONAL DETAILS AND SPECIFICATIONS, CONSULT MANUAL

TOLERANCES / REFERENCES:		<p>YASKAWA The Drive for Quality™</p> <p><i>THIS DOCUMENT AND INFORMATION CONTAINED IN IT ARE CONFIDENTIAL, AND CANNOT BE COPIED OR DISCLOSED IN WHOLE OR IN PART WITHOUT THE EXPRESS WRITTEN CONSENT OF YASKAWA ELECTRIC AMERICA INC.</i></p>	DRAWN: J. MATTAS CHECKED: J. PIOTROWSKI TECH: J. CAIRO APPROVED: T. SASADA ORIGINAL DESIGN: -	DATE: 11-20-08 DATE: 4-16-09 DATE: 5-11-09 DATE: 5-14-09 DATE: -	TITLE: J1000 DIMENSION DRAWING FRAME SIZE 7 NEMA TYPE 1 ENCLOSURE 2A0010F
UNITS: IN[mm]	SCALE: 1:3		SIZE A	REVISION R00	PAGE 1 of 3
			DRAWING #: DD.J1K.FR7.N1		

TERMINAL AND WIRING DETAILS (SCALE 1:2)



TERMINAL AND WIRE SPECIFICATIONS FOR
MAIN CIRCUIT AND GROUND

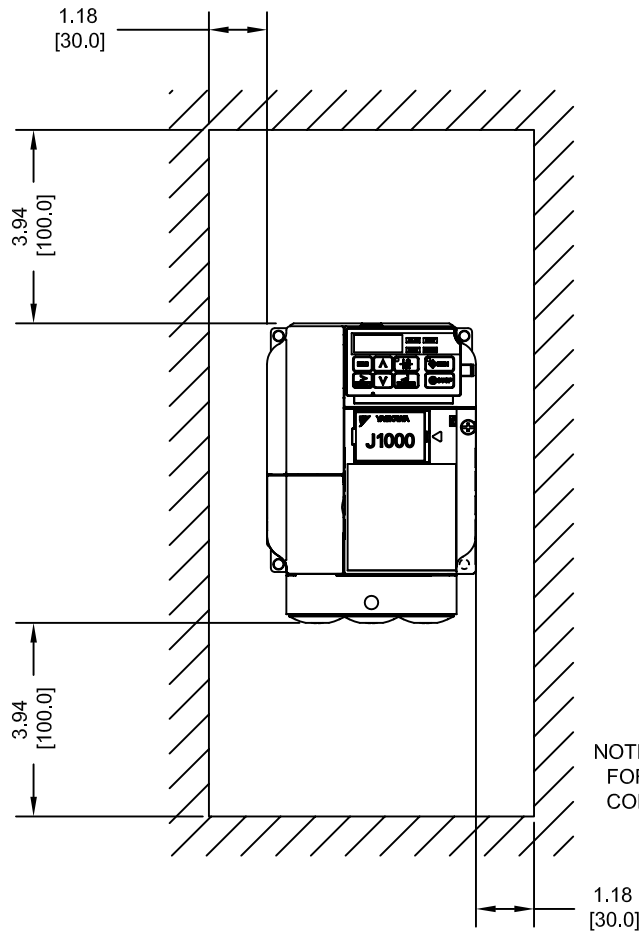
MODEL #	TERMINAL SCREW	CLAMPING TORQUE lb.in.(N.m.)	WIRE RANGE AWG(mm ²)
CIMR-JU	M4	10.6 TO 13.3 (1.2 TO 1.5)	22-10 (0.33-5.5)

NOTE: RATINGS APPLY TO BOTH FACTORY AND FIELD WIRING
REFER TO APPLICABLE CODES FOR PROPER WIRE TYPE AND SIZE

FOR ADDITIONAL DETAILS AND SPECIFICATIONS, CONSULT MANUAL

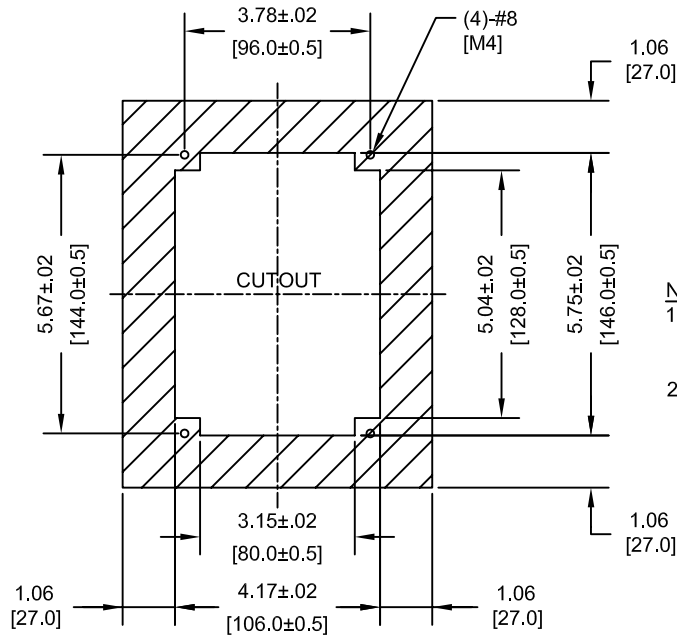
TOLERANCES / REFERENCES:		<p>THIS DOCUMENT AND INFORMATION CONTAINED IN IT ARE CONFIDENTIAL, AND CANNOT BE COPIED OR DISCLOSED IN WHOLE OR IN PART WITHOUT THE EXPRESS WRITTEN CONSENT OF YASKAWA ELECTRIC AMERICA INC.</p>	DRAWN: J. MATTAS DATE 11-20-08	TITLE: J1000 DIMENSION DRAWING FRAME SIZE 7 NEMA TYPE 1 ENCLOSURE 2A0010F		
UNITS: IN[mm]			CHECKED: J. PIOTROWSKI DATE 4-16-09	SIZE A	REVISION R00	PAGE 2 of 3
SCALE: BY VIEW			TECH: J. CAIRO DATE 5-11-09	DATE 5-14-09	DRAWING #: DD.J1K.FR7.N1	
			APPROVED: T. SASADA DATE 5-14-09	ORIGINAL DESIGN: -		

MINIMUM INSTALLATION CLEARANCES (SCALE 1:4)



NOTE:
FOR SIDE-BY-SIDE MOUNTING
CONSULT MANUAL

PANEL CUTOUT FOR EXTERNAL HEATSINK
MOUNTING CONFIGURATION (SCALE 1:4)

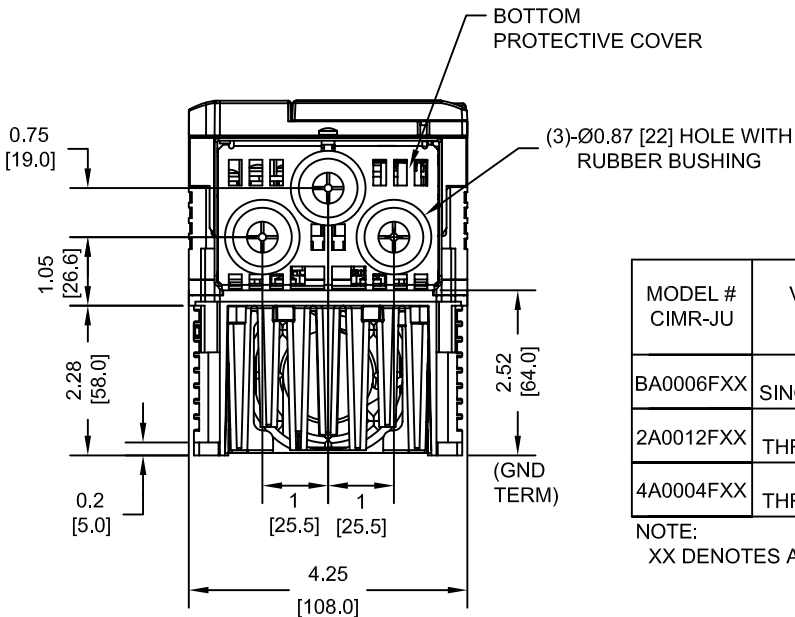
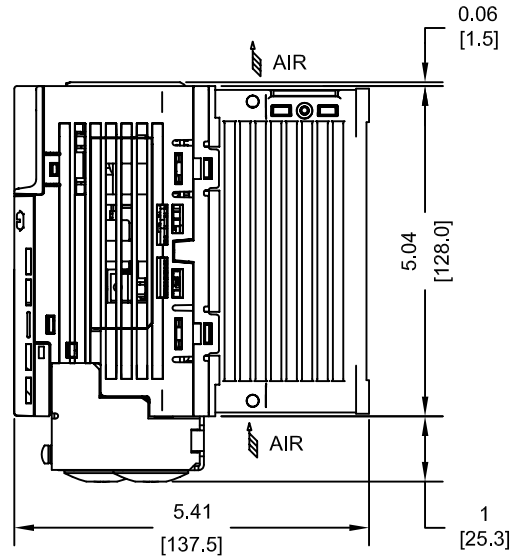
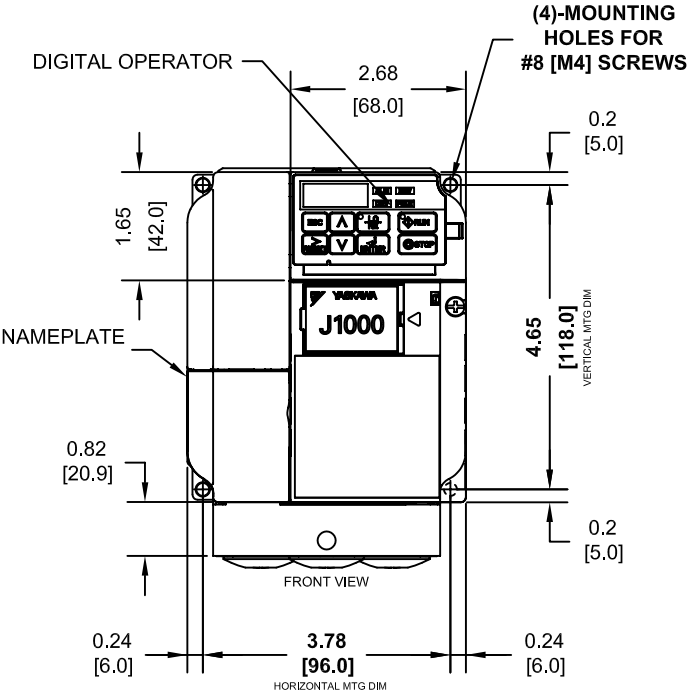
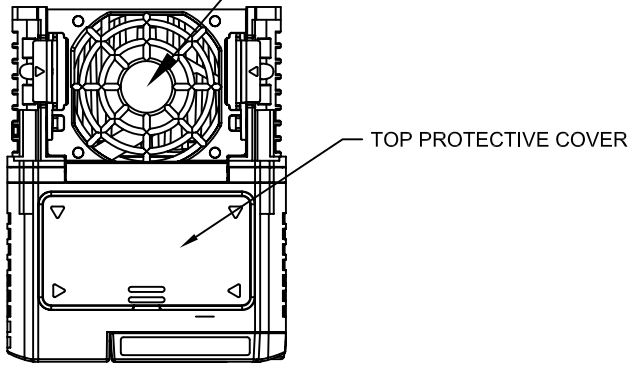


NOTES:
1. EXTERNAL HEATSINK
CONFIGURATION REQUIRES
MOUNTING KIT
2. EXPOSED HEATSINK
RECOMMENDED CLEARANCE
D=2.76" MINUS PANEL THICKNESS

TOLERANCES / REFERENCES:		<p>YASKAWA The Drive for Quality™</p> <p>THIS DOCUMENT AND INFORMATION CONTAINED IN IT ARE CONFIDENTIAL, AND CANNOT BE COPIED OR DISCLOSED IN WHOLE OR IN PART WITHOUT THE EXPRESS WRITTEN CONSENT OF YASKAWA ELECTRIC AMERICA INC.</p>	DRAWN: J. MATTAS DATE 11-20-08	TITLE: J1000 DIMENSION DRAWING FRAME SIZE 7 NEMA TYPE 1 ENCLOSURE 2A0010F		
UNITS: IN[mm]			CHECKED: J. PIOTROWSKI DATE 4-16-09	SIZE A	REVISION R00	PAGE 3 of 3
SCALE: BY VIEW			TECH: J. CAIRO DATE 5-11-09	DATE 5-14-09	DRAWING #: DD.J1K.FR7.N1	
			APPROVED: T. SASADA DATE 5-14-09	ORIGINAL DESIGN: -		

2A0012F: COOLING FAN
 BA0006F: NATURAL CONVECTION
 4A0004F: NATURAL CONVECTION

NOTE:
 PROTECTIVE COVERS ARE FACTORY INSTALLED TO THE TOP AND BOTTOM OF THE DRIVE TO MEET IP20 & NEMA TYPE 1 REQUIREMENTS, RESULTING IN AN AMBIENT TEMPERATURE RATING OF 104F(40C). REMOVE THESE COVERS WHEN OPERATING THE DRIVE WITHIN A PANEL TO OBTAIN THE MAXIMUM SURROUNDING AIR TEMPERATURE RATING OF 122F(50C). REMOVING THESE COVERS RESULTS IN AN ENCLOSURE RATING OF IP00.



MODEL # CIMR-JU	VOLTAGE (VAC)	OUTPUT CURRENT (A)		WEIGHT LBS (Kg)	HEAT LOSS (W)					
		ND	HD		ND (Fc=2kHz)			HD (Fc=8kHz)		
					INT	EXT	TOT	INT	EXT	TOT
BA0006FXX	208/240 SINGLE PHASE	6.0	5.0	4.2 (1.9)	19.4	30.1	49.5	16.8	33.7	50.5
2A0012FXX	208/240 THREE PHASE	12.0	11.0	4.2 (1.9)	30.4	61.3	91.7	29.9	70.7	100.6
4A0004FXX	380/480 THREE PHASE	4.1	3.4	4.2 (1.9)	16.8	30.5	47.3	17.9	42.3	60.2

NOTE:
 XX DENOTES AA-ZZ

INT=INTERNAL COMPONENTS
 EXT=EXTERNAL HEATSINK
 TOT=TOTAL

FOR ADDITIONAL DETAILS AND SPECIFICATIONS, CONSULT MANUAL

TOLERANCES / REFERENCES:

YASKAWA
 The Drive for Quality™

THIS DOCUMENT AND INFORMATION CONTAINED IN IT ARE CONFIDENTIAL, AND CANNOT BE COPIED OR DISCLOSED IN WHOLE OR IN PART WITHOUT THE EXPRESS WRITTEN CONSENT OF YASKAWA ELECTRIC AMERICA INC.

DRAWN:
J. MATTAS

DATE
11-20-08

TITLE:
J1000 DIMENSION DRAWING

CHECKED:
J. PIOTROWSKI

DATE
4-16-09

FRAME SIZE 8

TECH:
J. CAIRO

DATE
5-11-09

NEMA TYPE 1 ENCLOSURE

APPROVED:
T. SASADA

DATE
5-14-09

BA0006F, 2A0012F & 4A0004F

ORIGINAL DESIGN:
-

DATE
-

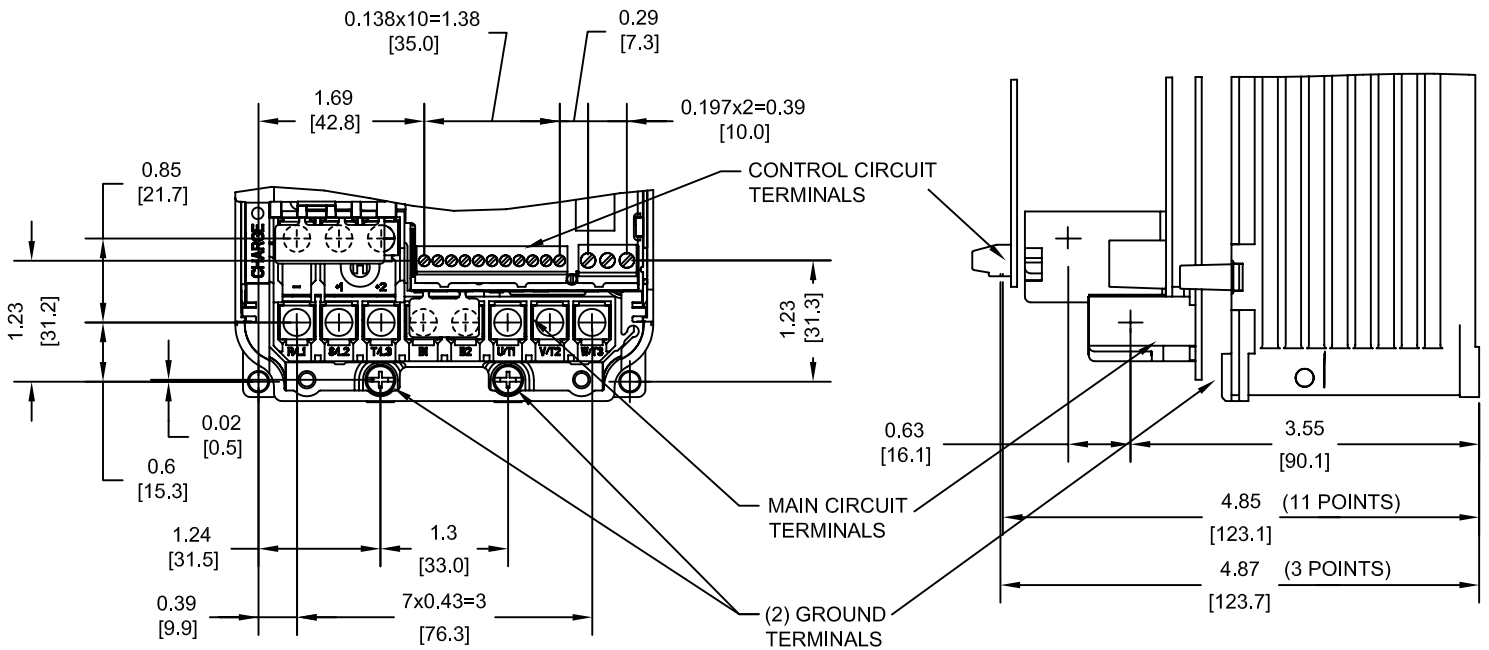
SIZE REVISION PAGE
A R00 1 of 3

UNITS:
IN[mm]

SCALE:
1:3

DRAWING #:
DD.J1K.FR8.N1

TERMINAL AND WIRING DETAILS (SCALE 1:2)



TERMINAL AND WIRE SPECIFICATIONS FOR
MAIN CIRCUIT AND GROUND

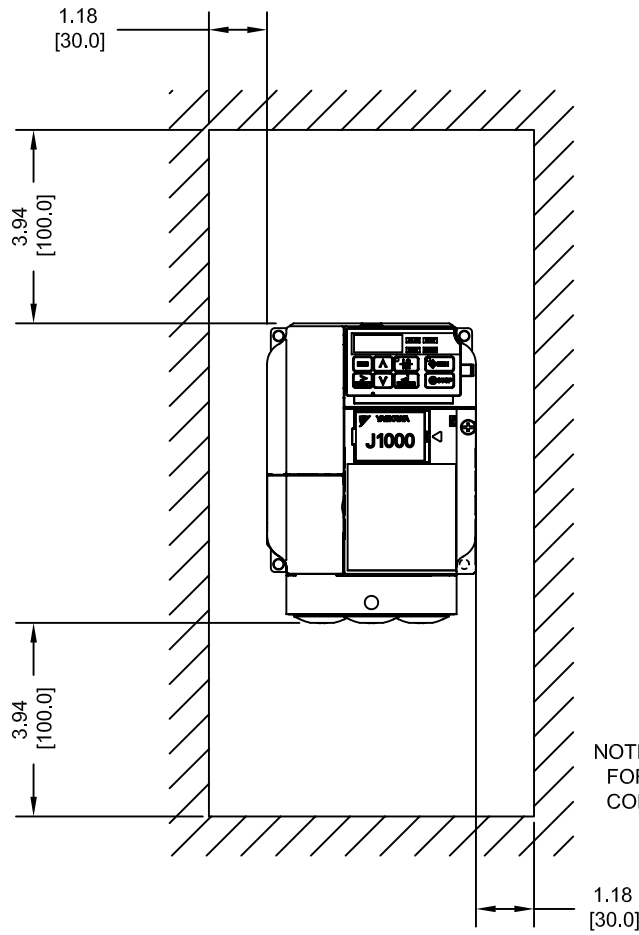
MODEL #	TERMINAL SCREW	CLAMPING TORQUE lb.in.(N.m.)	WIRE RANGE AWG(mm ²)
BA0006F	M4	10.6 TO 13.3 (1.2 TO 1.5)	22-10 (0.33-5.5)
2A0012F	M4	10.6 TO 13.3 (1.2 TO 1.5)	22-10 (0.33-5.5)
4A0004F	M4	10.6 TO 13.3 (1.2 TO 1.5)	22-10 (0.33-5.5)

NOTE: RATINGS APPLY TO BOTH FACTORY AND FIELD WIRING
REFER TO APPLICABLE CODES FOR PROPER WIRE TYPE AND SIZE

FOR ADDITIONAL DETAILS AND SPECIFICATIONS, CONSULT MANUAL

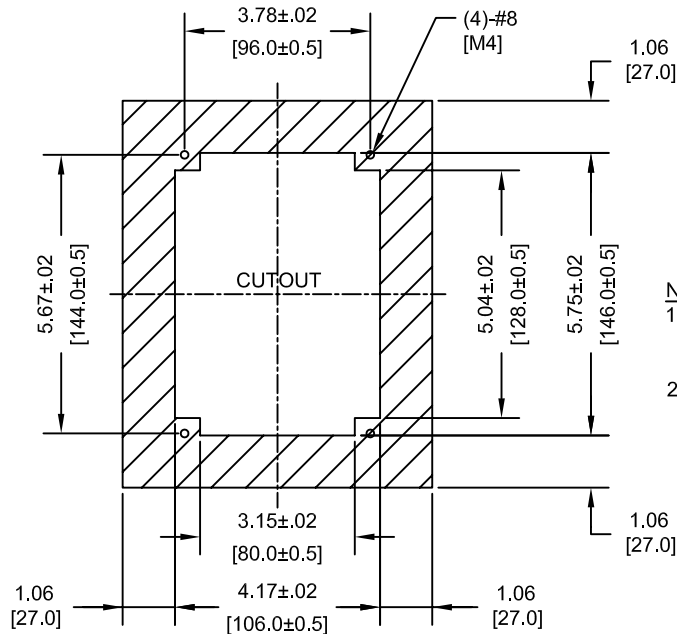
TOLERANCES / REFERENCES:		<p>THIS DOCUMENT AND INFORMATION CONTAINED IN IT ARE CONFIDENTIAL, AND CANNOT BE COPIED OR DISCLOSED IN WHOLE OR IN PART WITHOUT THE EXPRESS WRITTEN CONSENT OF YASKAWA ELECTRIC AMERICA INC.</p>	DRAWN: J. MATTAS DATE 11-20-08	TITLE: J1000 DIMENSION DRAWING FRAME SIZE 8 NEMA TYPE 1 ENCLOSURE BA0006F, 2A0012F & 4A0004F		
			CHECKED: J. PIOTROWSKI DATE 4-16-09	TECH: J. CAIRO DATE 5-11-09	SIZE A	REVISION R00
			APPROVED: T. SASADA DATE 5-14-09	ORIGINAL DESIGN: -	DATE -	PAGE 2 of 3
UNITS: IN[mm]	SCALE: BY VIEW		DRAWING #: DD.J1K.FR8.N1			

MINIMUM INSTALLATION CLEARANCES (SCALE 1:4)



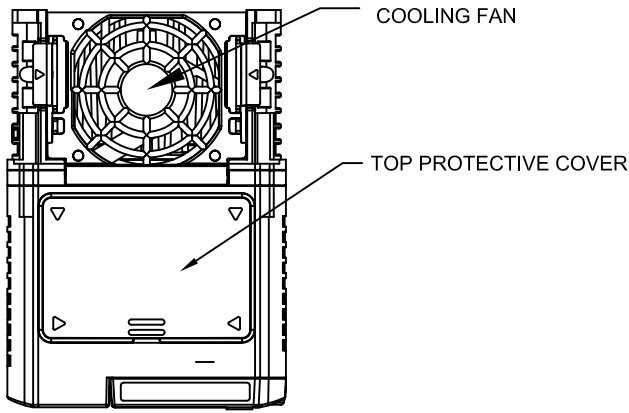
NOTE:
FOR SIDE-BY-SIDE MOUNTING
CONSULT MANUAL

PANEL CUTOUT FOR EXTERNAL HEATSINK
MOUNTING CONFIGURATION (SCALE 1:4)

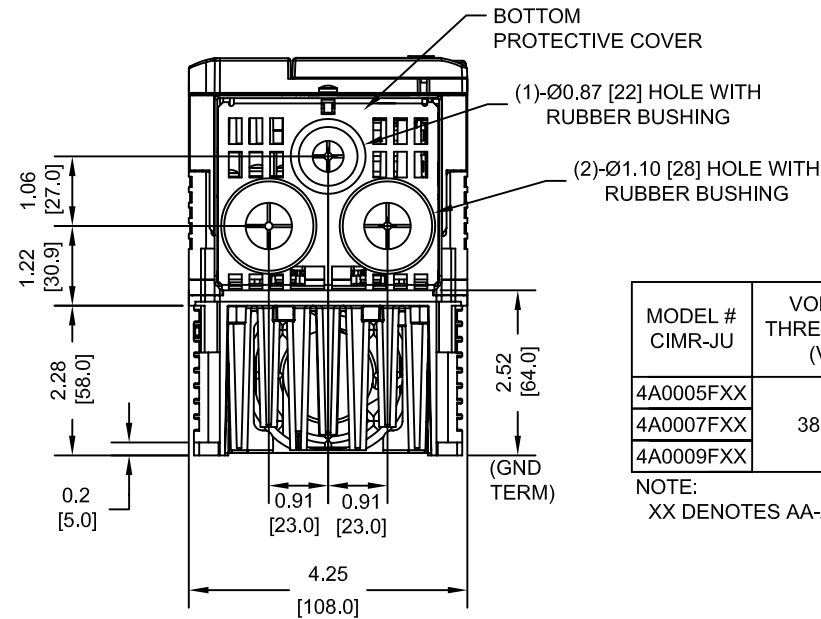
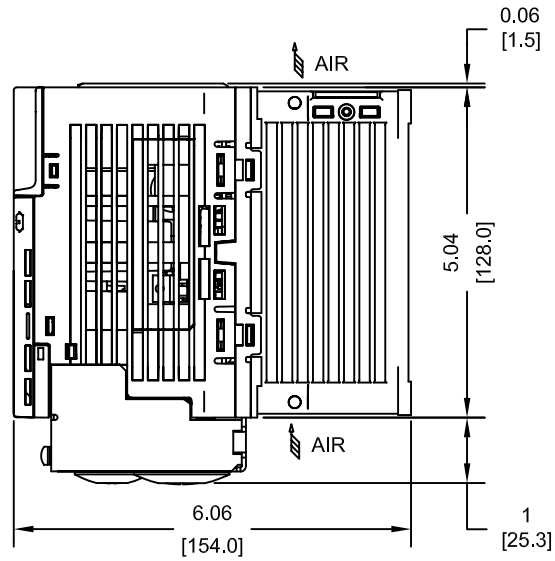
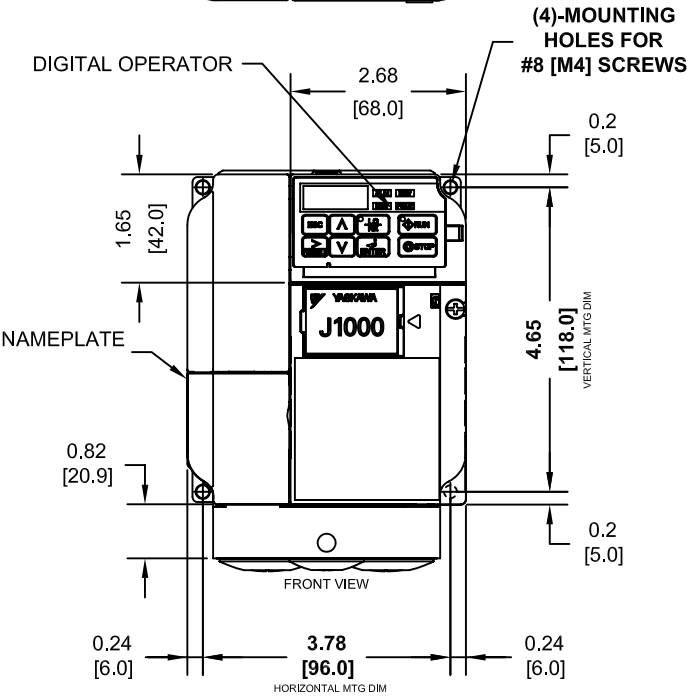


NOTES:
1. EXTERNAL HEATSINK
CONFIGURATION REQUIRES
MOUNTING KIT
2. EXPOSED HEATSINK
RECOMMENDED CLEARANCE
D=2.76" MINUS PANEL THICKNESS

TOLERANCES / REFERENCES:		<p>YASKAWA The Drive for Quality™</p> <p>THIS DOCUMENT AND INFORMATION CONTAINED IN IT ARE CONFIDENTIAL, AND CANNOT BE COPIED OR DISCLOSED IN WHOLE OR IN PART WITHOUT THE EXPRESS WRITTEN CONSENT OF YASKAWA ELECTRIC AMERICA INC.</p>	DRAWN: J. MATTAS DATE 11-20-08	TITLE: J1000 DIMENSION DRAWING FRAME SIZE 8 NEMA TYPE 1 ENCLOSURE BA0006F, 2A0012F & 4A0004F	
			CHECKED: J. PIOTROWSKI DATE 4-16-09	DATE 5-11-09	
			TECH: J. CAIRO DATE 5-11-09	DATE 5-14-09	
			APPROVED: T. SASADA DATE 5-14-09	DATE -	
UNITS: IN[mm]	SCALE: BY VIEW	ORIGINAL DESIGN: -	SIZE A	REVISION R00	PAGE 3 of 3
			DRAWING #: DD.J1K.FR8.N1		



NOTE:
 PROTECTIVE COVERS ARE FACTORY INSTALLED TO THE TOP AND BOTTOM OF THE DRIVE TO MEET IP20 & NEMA TYPE 1 REQUIREMENTS, RESULTING IN AN AMBIENT TEMPERATURE RATING OF 104F(40C). REMOVE THESE COVERS WHEN OPERATING THE DRIVE WITHIN A PANEL TO OBTAIN THE MAXIMUM SURROUNDING AIR TEMPERATURE RATING OF 122F(50C). REMOVING THESE COVERS RESULTS IN AN ENCLOSURE RATING OF IP00.



MODEL # CIMR-JU	VOLTAGE THREE PHASE (VAC)	OUTPUT CURRENT (A)		WEIGHT LBS (Kg)	HEAT LOSS (W)					
		ND	HD		ND (Fc=2kHz)			HD (Fc=8kHz)		
					INT	EXT	TOT	INT	EXT	TOT
4A0005FXX	380/480	5.4	4.8	4.2 (1.9)	21.8	44.5	66.3	26.2	70.7	96.9
4A0007FXX		6.9	5.5	4.2 (1.9)	28.4	58.5	86.9	30.7	81.0	111.7
4A0009FXX		8.8	7.2	4.2 (1.9)	31.4	63.7	95.1	32.9	84.6	117.5

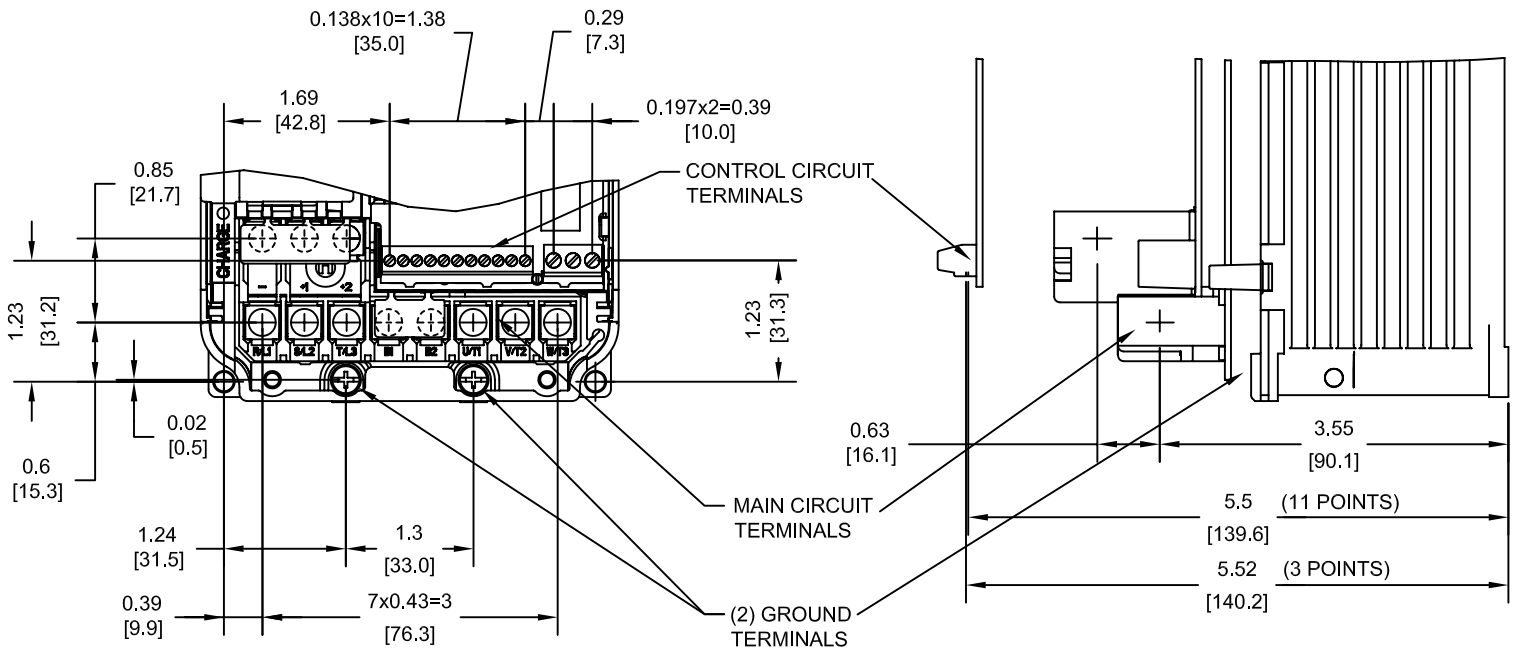
NOTE:
 XX DENOTES AA-ZZ

INT=INTERNAL COMPONENTS
 EXT=EXTERNAL HEATSINK
 TOT=TOTAL

FOR ADDITIONAL DETAILS AND SPECIFICATIONS, CONSULT MANUAL

TOLERANCES / REFERENCES:		<p>YASKAWA The Drive for Quality™</p> <p>THIS DOCUMENT AND INFORMATION CONTAINED IN IT ARE CONFIDENTIAL, AND CANNOT BE COPIED OR DISCLOSED IN WHOLE OR IN PART WITHOUT THE EXPRESS WRITTEN CONSENT OF YASKAWA ELECTRIC AMERICA INC.</p>	DRAWN: J. MATTAS CHECKED: J. PIOTROWSKI TECH: J. CAIRO APPROVED: T. SASADA ORIGINAL DESIGN: -	DATE 11-20-08 DATE 4-16-09 DATE 5-11-09 DATE 5-14-09 DATE -	TITLE: J1000 DIMENSION DRAWING FRAME SIZE 9 NEMA TYPE 1 ENCLOSURE 4A0005F, 4A0007F & 4A0009F
UNITS: IN[mm]	SCALE: 1:3		SIZE A REVISION R00 PAGE 1 of 3	DRAWING #: DD.J1K.FR9.N1	

TERMINAL AND WIRING DETAILS (SCALE 1:2)



TERMINAL AND WIRE SPECIFICATIONS FOR
 MAIN CIRCUIT AND GROUND

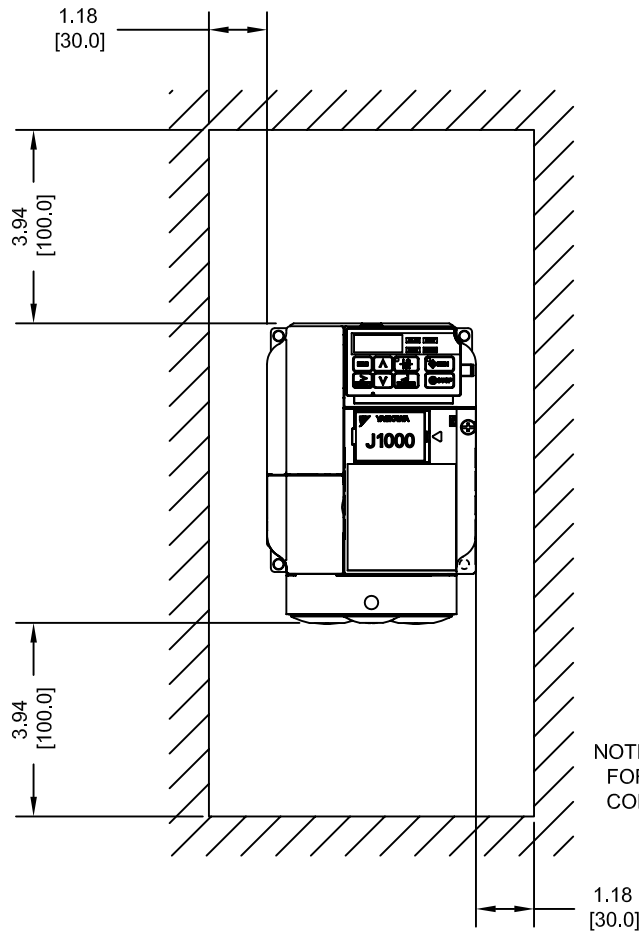
MODEL #	TERMINAL SCREW	CLAMPING TORQUE lb.in.(N.m.)	WIRE RANGE AWG(mm ²)
4A0005F	M4	10.6 TO 13.3 (1.2 TO 1.5)	22-10 (0.33-5.5)
4A0007F	M4	10.6 TO 13.3 (1.2 TO 1.5)	22-10 (0.33-5.5)
4A0009F	M4	10.6 TO 13.3 (1.2 TO 1.5)	22-10 (0.33-5.5)

NOTE: RATINGS APPLY TO BOTH FACTORY AND FIELD WIRING
 REFER TO APPLICABLE CODES FOR PROPER WIRE TYPE AND SIZE

FOR ADDITIONAL DETAILS AND SPECIFICATIONS, CONSULT MANUAL

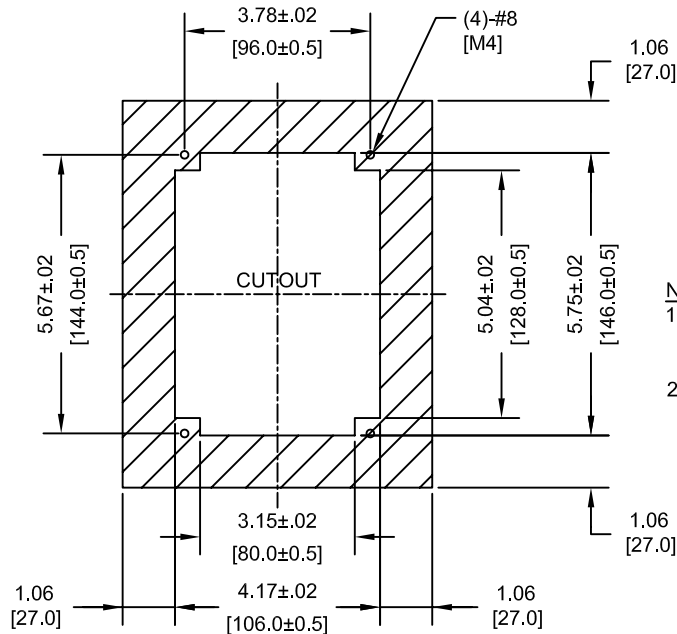
TOLERANCES / REFERENCES:		<p>THIS DOCUMENT AND INFORMATION CONTAINED IN IT ARE CONFIDENTIAL, AND CANNOT BE COPIED OR DISCLOSED IN WHOLE OR IN PART WITHOUT THE EXPRESS WRITTEN CONSENT OF YASKAWA ELECTRIC AMERICA INC.</p>	DRAWN: J. MATTAS	DATE: 11-20-08	TITLE: J1000 DIMENSION DRAWING FRAME SIZE 9 NEMA TYPE 1 ENCLOSURE 4A0005F, 4A0007F & 4A0009F
			CHECKED: J. PIOTROWSKI	DATE: 4-16-09	
			TECH: J. CAIRO	DATE: 5-11-09	
			APPROVED: T. SASADA	DATE: 5-14-09	
UNITS: IN[mm]	SCALE: BY VIEW	ORIGINAL DESIGN: -	DATE: -	SIZE: A REVISION: R00 PAGE: 2 of 3	DRAWING #: DD.J1K.FR9.N1

MINIMUM INSTALLATION CLEARANCES (SCALE 1:4)



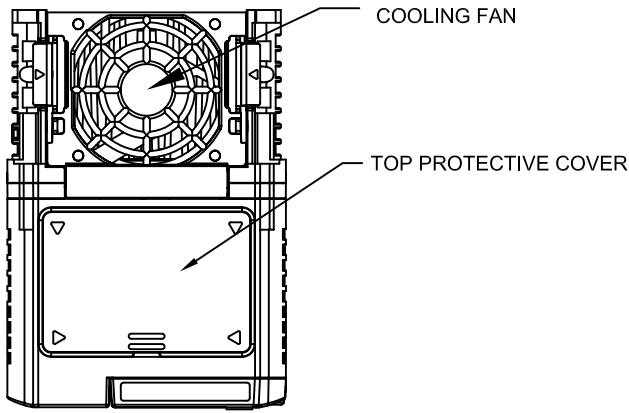
NOTE:
FOR SIDE-BY-SIDE MOUNTING
CONSULT MANUAL

PANEL CUTOUT FOR EXTERNAL HEATSINK
MOUNTING CONFIGURATION (SCALE 1:4)

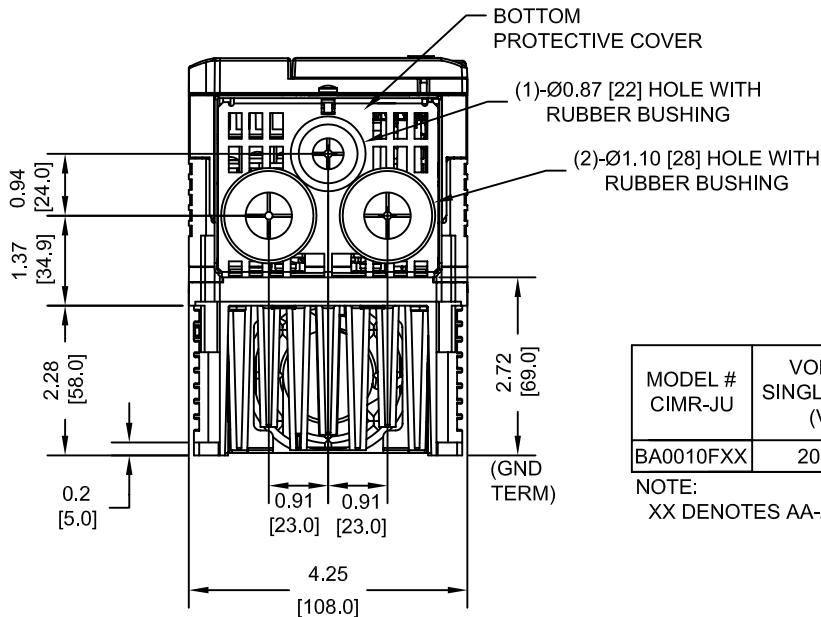
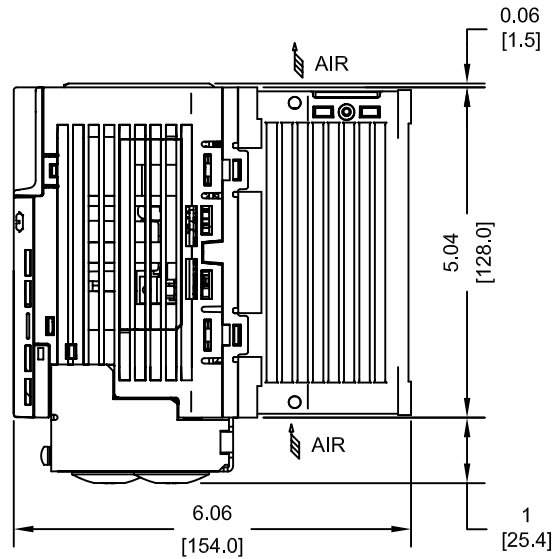
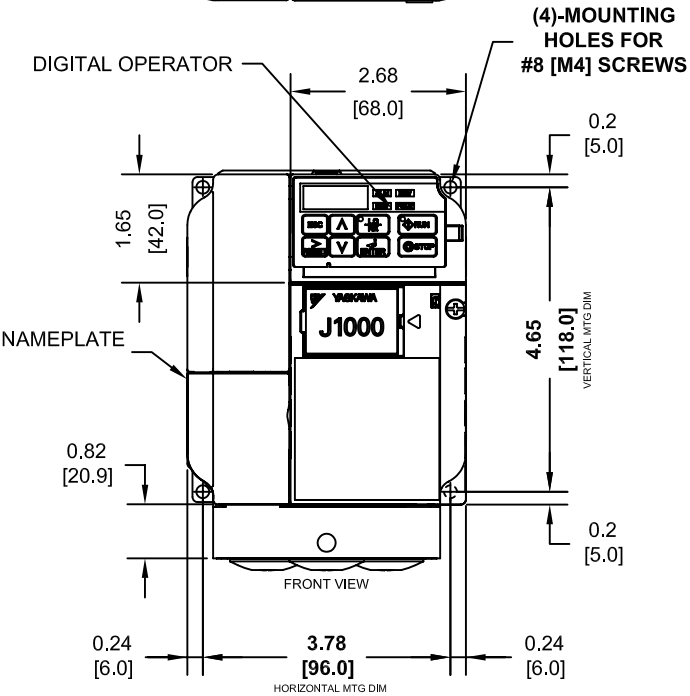


NOTES:
1. EXTERNAL HEATSINK
CONFIGURATION REQUIRES
MOUNTING KIT
2. EXPOSED HEATSINK
RECOMMENDED CLEARANCE
D=2.76" MINUS PANEL THICKNESS

TOLERANCES / REFERENCES:		<p>YASKAWA The Drive for Quality™</p> <p>THIS DOCUMENT AND INFORMATION CONTAINED IN IT ARE CONFIDENTIAL, AND CANNOT BE COPIED OR DISCLOSED IN WHOLE OR IN PART WITHOUT THE EXPRESS WRITTEN CONSENT OF YASKAWA ELECTRIC AMERICA INC.</p>	DRAWN: J. MATTAS DATE 11-20-08	DATE 11-20-08	TITLE: J1000 DIMENSION DRAWING FRAME SIZE 9 NEMA TYPE 1 ENCLOSURE 4A0005F, 4A0007F & 4A0009F		
UNITS: IN[mm]			CHECKED: J. PIOTROWSKI DATE 4-16-09	DATE 4-16-09	SIZE A	REVISION R00	PAGE 3 of 3
SCALE: BY VIEW			TECH: J. CAIRO DATE 5-11-09	DATE 5-11-09	DRAWING #: DD.J1K.FR9.N1		
			APPROVED: T. SASADA DATE 5-14-09	DATE 5-14-09			
		ORIGINAL DESIGN: -	DATE -				



NOTE:
 PROTECTIVE COVERS ARE FACTORY INSTALLED TO THE TOP AND BOTTOM OF THE DRIVE TO MEET IP20 & NEMA TYPE 1 REQUIREMENTS, RESULTING IN AN AMBIENT TEMPERATURE RATING OF 104F(40C). REMOVE THESE COVERS WHEN OPERATING THE DRIVE WITHIN A PANEL TO OBTAIN THE MAXIMUM SURROUNDING AIR TEMPERATURE RATING OF 122F(50C). REMOVING THESE COVERS RESULTS IN AN ENCLOSURE RATING OF IP00.



MODEL # CIMR-JU	VOLTAGE SINGLE PHASE (VAC)	OUTPUT CURRENT (A)		WEIGHT LBS (Kg)	HEAT LOSS (W)					
		ND	HD		ND (Fc=2kHz)			HD (Fc=8kHz)		
					INT	EXT	TOT	INT	EXT	TOT
BA0010FXX	208/240	9.6	8.0	4.4 (2.0)	29.8	51.7	81.5	25.9	54.8	80.7

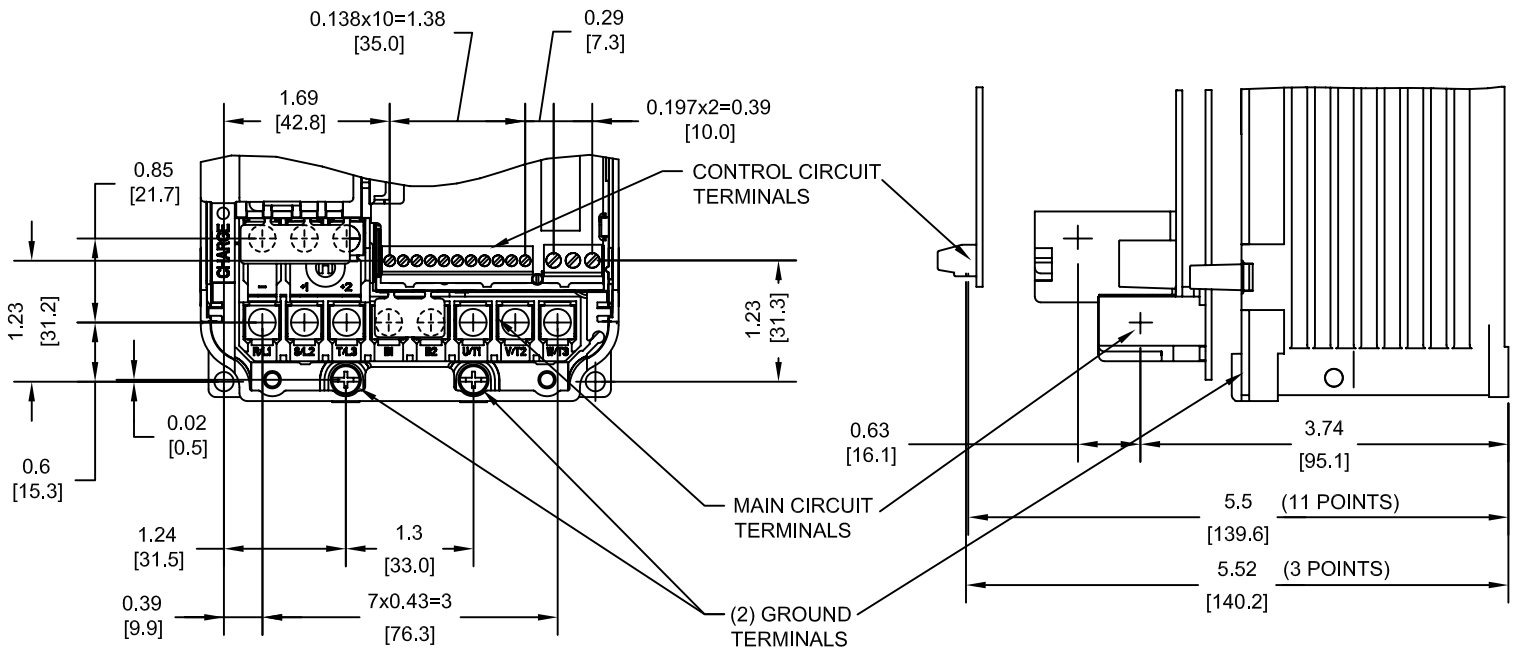
NOTE:
 XX DENOTES AA-ZZ

INT=INTERNAL COMPONENTS
 EXT=EXTERNAL HEATSINK
 TOT=TOTAL

FOR ADDITIONAL DETAILS AND SPECIFICATIONS, CONSULT MANUAL

TOLERANCES / REFERENCES:		<p>YASKAWA The Drive for Quality™</p> <p>THIS DOCUMENT AND INFORMATION CONTAINED IN IT ARE CONFIDENTIAL, AND CANNOT BE COPIED OR DISCLOSED IN WHOLE OR IN PART WITHOUT THE EXPRESS WRITTEN CONSENT OF YASKAWA ELECTRIC AMERICA INC.</p>	DRAWN: J. MATTAS CHECKED: J. PIOTROWSKI TECH: J. CAIRO APPROVED: T. SASADA ORIGINAL DESIGN: -	DATE: 11-20-08 DATE: 4-16-09 DATE: 5-11-09 DATE: 5-14-09 DATE: -	TITLE: J1000 DIMENSION DRAWING FRAME SIZE 10 NEMA TYPE 1 ENCLOSURE BA0010F
UNITS: IN[mm]	SCALE: 1:3		SIZE A	REVISION R00	PAGE 1 of 3
			DRAWING #: DD.J1K.FR10.N1		

TERMINAL AND WIRING DETAILS (SCALE 1:2)



TERMINAL AND WIRE SPECIFICATIONS FOR
MAIN CIRCUIT AND GROUND

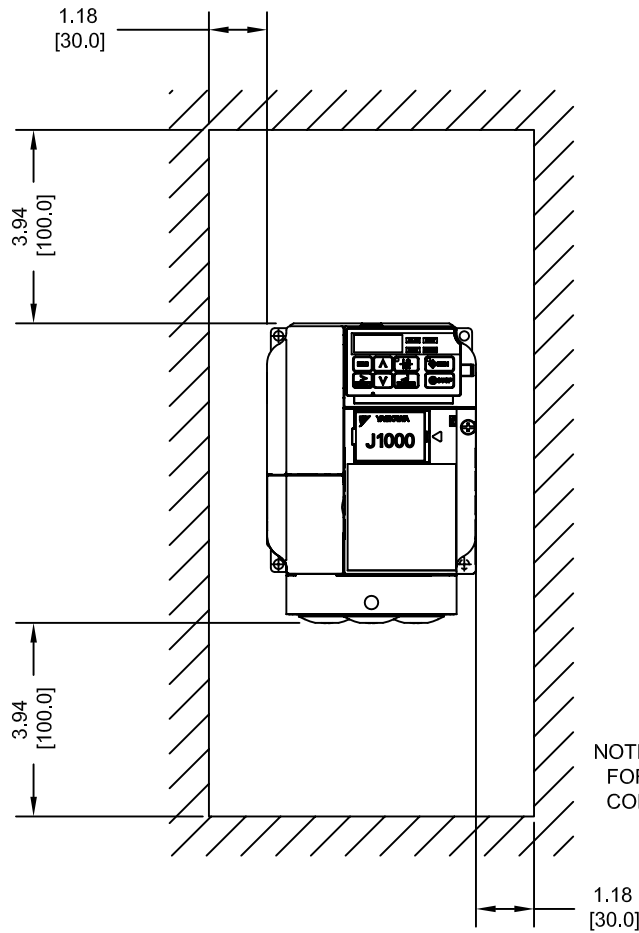
MODEL #	TERMINAL SCREW	CLAMPING TORQUE lb.in.(N.m.)	WIRE RANGE AWG(mm ²)
CIMR-JU	M4	10.6 TO 13.3 (1.2 TO 1.5)	22-10 (0.33-5.5)

NOTE: RATINGS APPLY TO BOTH FACTORY AND FIELD WIRING
REFER TO APPLICABLE CODES FOR PROPER WIRE TYPE AND SIZE

FOR ADDITIONAL DETAILS AND SPECIFICATIONS, CONSULT MANUAL

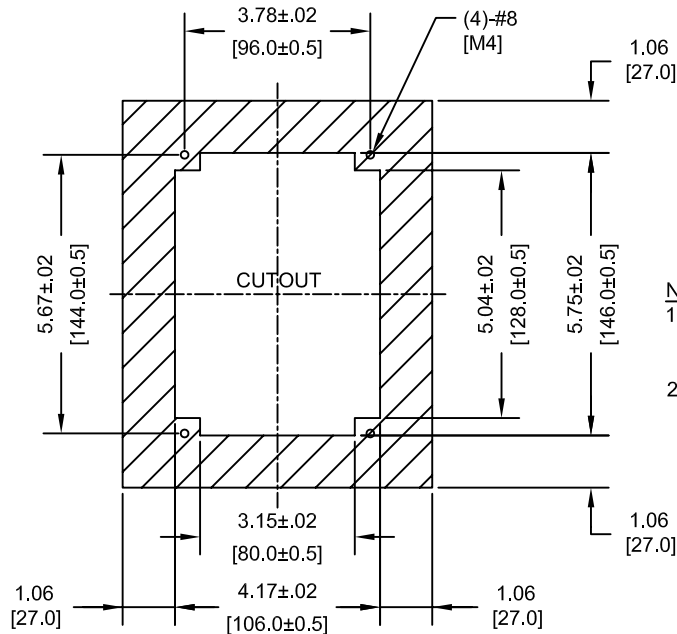
TOLERANCES / REFERENCES:		<p>THIS DOCUMENT AND INFORMATION CONTAINED IN IT ARE CONFIDENTIAL, AND CANNOT BE COPIED OR DISCLOSED IN WHOLE OR IN PART WITHOUT THE EXPRESS WRITTEN CONSENT OF YASKAWA ELECTRIC AMERICA INC.</p>	DRAWN: J. MATTAS DATE 11-20-08	TITLE: J1000 DIMENSION DRAWING FRAME SIZE 10 NEMA TYPE 1 ENCLOSURE BA0010F
			CHECKED: J. PIOTROWSKI DATE 4-16-09	TECH: J. CAIRO DATE 5-11-09
			APPROVED: T. SASADA DATE 5-14-09	ORIGINAL DESIGN: - DATE -
UNITS: IN[mm]	SCALE: BY VIEW		SIZE A	REVISION R00
		DRAWING #: DD.J1K.FR10.N1		

MINIMUM INSTALLATION CLEARANCES (SCALE 1:4)



NOTE:
FOR SIDE-BY-SIDE MOUNTING
CONSULT MANUAL

PANEL CUTOUT FOR EXTERNAL HEATSINK
MOUNTING CONFIGURATION (SCALE 1:4)

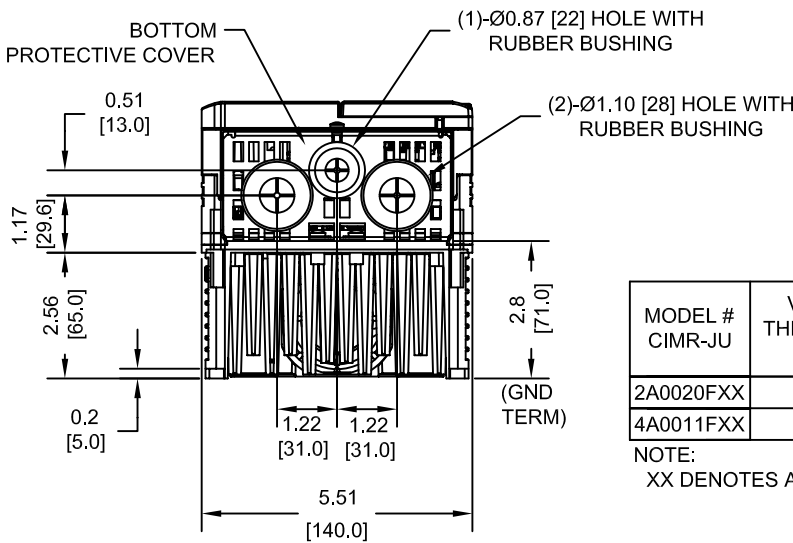
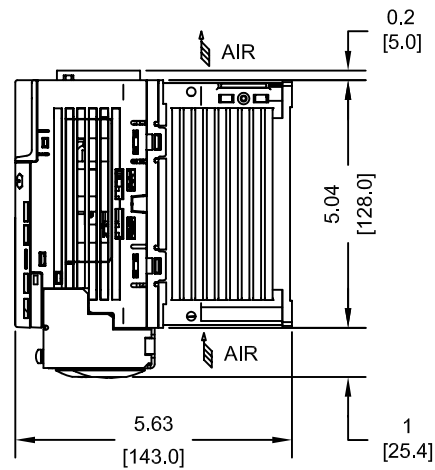
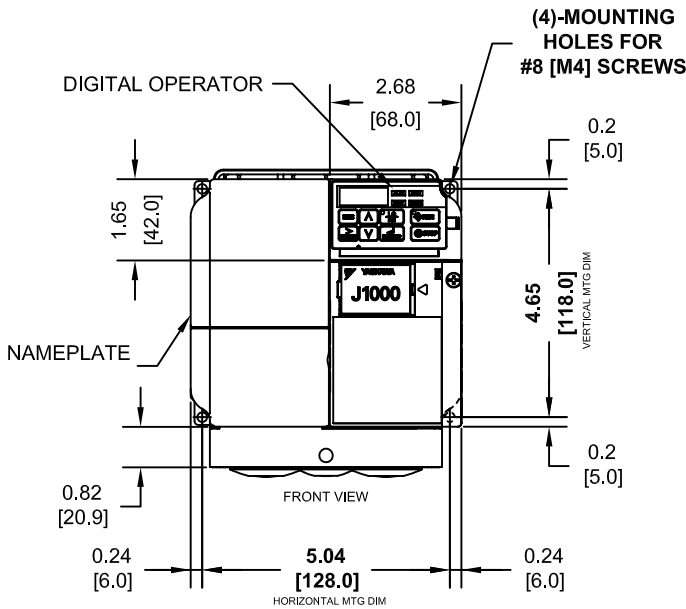
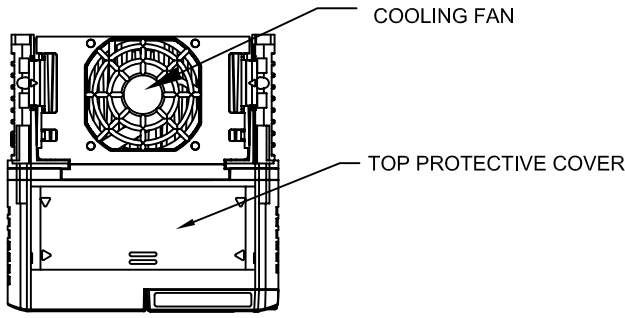


NOTES:
1. EXTERNAL HEATSINK
CONFIGURATION REQUIRES
MOUNTING KIT
2. EXPOSED HEATSINK
RECOMMENDED CLEARANCE
D=2.76" MINUS PANEL THICKNESS

TOLERANCES / REFERENCES:		<p>YASKAWA The Drive for Quality™</p> <p>THIS DOCUMENT AND INFORMATION CONTAINED IN IT ARE CONFIDENTIAL, AND CANNOT BE COPIED OR DISCLOSED IN WHOLE OR IN PART WITHOUT THE EXPRESS WRITTEN CONSENT OF YASKAWA ELECTRIC AMERICA INC.</p>	DRAWN: J. MATTAS DATE 11-20-08	TITLE: J1000 DIMENSION DRAWING FRAME SIZE 10 NEMA TYPE 1 ENCLOSURE BA0010F		
UNITS: IN[mm]			CHECKED: J. PIOTROWSKI DATE 4-16-09	SIZE A	REVISION R00	PAGE 3 of 3
SCALE: BY VIEW			TECH: J. CAIRO DATE 5-11-09	APPROVED: T. SASADA DATE 5-14-09	DRAWING #: DD.J1K.FR10.N1	
			ORIGINAL DESIGN: -	DATE -		

NOTE:

PROTECTIVE COVERS ARE FACTORY INSTALLED TO THE TOP AND BOTTOM OF THE DRIVE TO MEET IP20 & NEMA TYPE 1 REQUIREMENTS, RESULTING IN AN AMBIENT TEMPERATURE RATING OF 104F(40C). REMOVE THESE COVERS WHEN OPERATING THE DRIVE WITHIN A PANEL TO OBTAIN THE MAXIMUM SURROUNDING AIR TEMPERATURE RATING OF 122F(50C). REMOVING THESE COVERS RESULTS IN AN ENCLOSURE RATING OF IP00.



MODEL # CIMR-JU	VOLTAGE THREE PHASE (VAC)	OUTPUT CURRENT (A)		WEIGHT LBS (Kg)	HEAT LOSS (W)					
		ND	HD		ND (Fc=2kHz)			HD (Fc=8kHz)		
					INT	EXT	TOT	INT	EXT	TOT
2A0020FXX	208/240	19.6	17.5	5.7 (2.6)	46.3	98.7	145.0	43.3	110.5	153.8
4A0011FXX	380/480	11.1	9.2	5.7 (2.6)	46.0	81.7	127.7	41.5	107.2	148.7

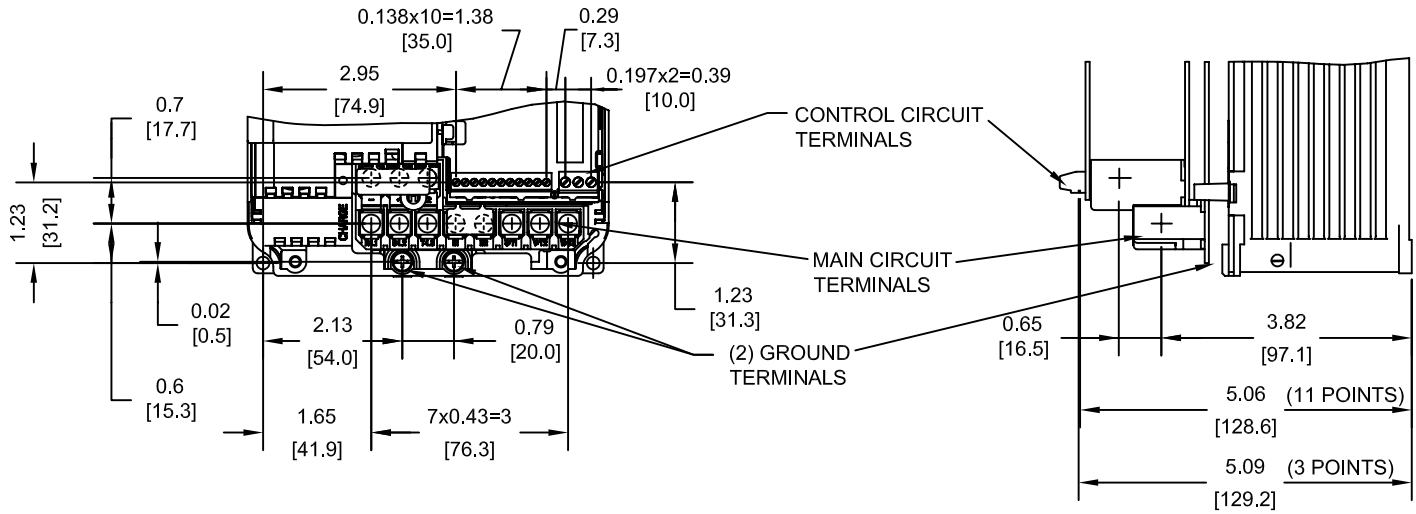
NOTE:
XX DENOTES AA-ZZ

INT=INTERNAL COMPONENTS
EXT=EXTERNAL HEATSINK
TOT=TOTAL

FOR ADDITIONAL DETAILS AND SPECIFICATIONS, CONSULT MANUAL

TOLERANCES / REFERENCES:		<p>YASKAWA The Drive for Quality™</p> <p>THIS DOCUMENT AND INFORMATION CONTAINED IN IT ARE CONFIDENTIAL, AND CANNOT BE COPIED OR DISCLOSED IN WHOLE OR IN PART WITHOUT THE EXPRESS WRITTEN CONSENT OF YASKAWA ELECTRIC AMERICA INC.</p>	DRAWN: J. MATTAS DATE 11-20-08	TITLE: J1000 DIMENSION DRAWING FRAME SIZE 11 NEMA TYPE 1 ENCLOSURE 2A0020F & 4A0011F
UNITS: IN[mm]	SCALE: 1:4		CHECKED: J. PIOTROWSKI DATE 4-16-09	TECH: J. CAIRO DATE 5-11-09
		APPROVED: T. SASADA DATE 5-14-09	ORIGINAL DESIGN: - DATE -	SIZE A REVISION R00 PAGE 1 of 3
		DRAWING #: DD.J1K.FR11.N1		

TERMINAL AND WIRING DETAILS (SCALE 1:3)



TERMINAL AND WIRE SPECIFICATIONS FOR
MAIN CIRCUIT AND GROUND

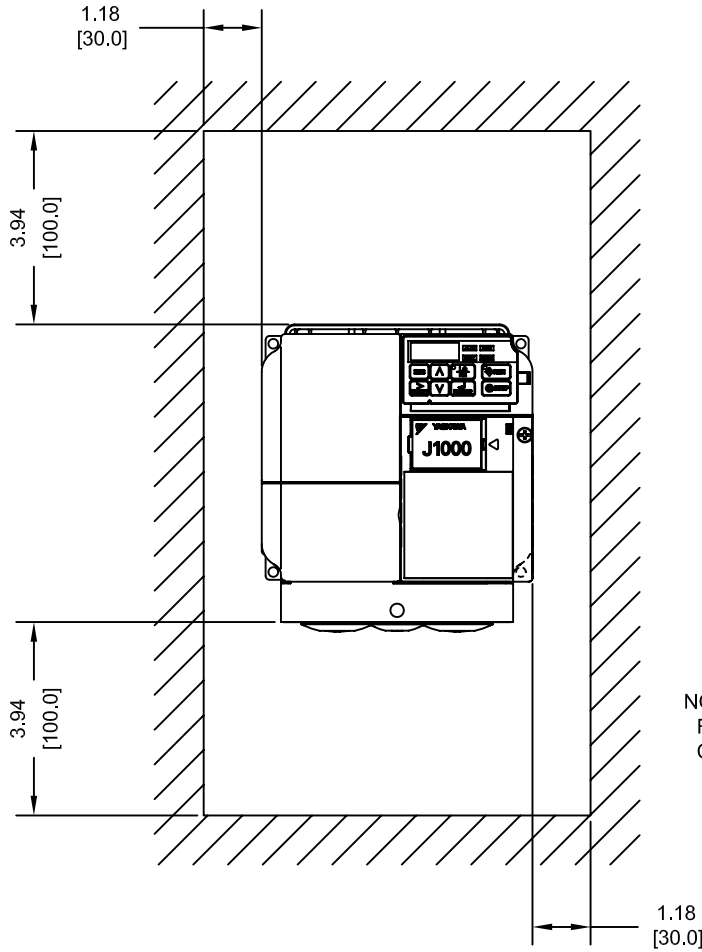
MODEL #	TERMINAL SCREW	CLAMPING TORQUE lb.in.(N.m.)	WIRE RANGE AWG(mm ²)
2A0020F	M4	10.6 TO 13.3 (1.2 TO 1.5)	22-10 (0.33-5.5)
4A0011F	M4	10.6 TO 13.3 (1.2 TO 1.5)	22-10 (0.33-5.5)

NOTE: RATINGS APPLY TO BOTH FACTORY AND FIELD WIRING
REFER TO APPLICABLE CODES FOR PROPER WIRE TYPE AND SIZE

FOR ADDITIONAL DETAILS AND SPECIFICATIONS, CONSULT MANUAL

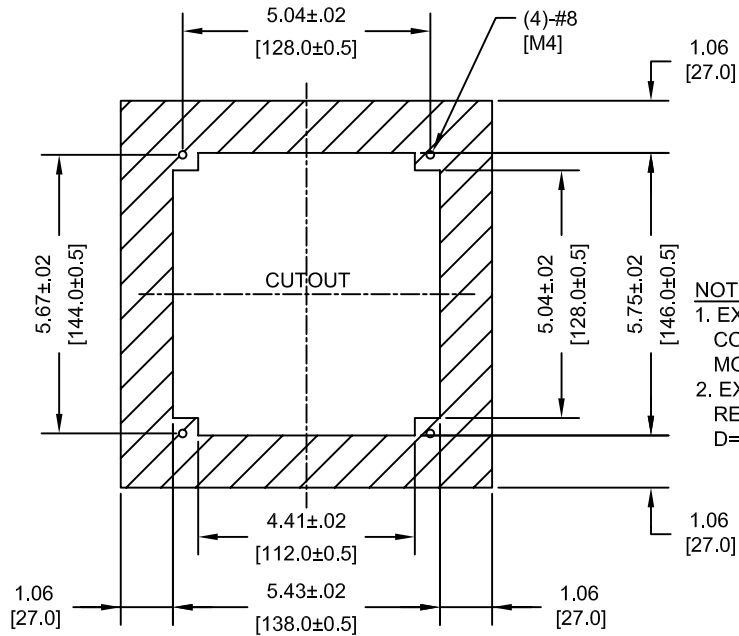
TOLERANCES / REFERENCES:		<p>THIS DOCUMENT AND INFORMATION CONTAINED IN IT ARE CONFIDENTIAL, AND CANNOT BE COPIED OR DISCLOSED IN WHOLE OR IN PART WITHOUT THE EXPRESS WRITTEN CONSENT OF YASKAWA ELECTRIC AMERICA INC.</p>	DRAWN: J. MATTAS DATE: 11-20-08	DATE: 11-20-08	TITLE: J1000 DIMENSION DRAWING FRAME SIZE 11 NEMA TYPE 1 ENCLOSURE 2A0020F & 4A0011F	
UNITS: IN[mm]			CHECKED: J. PIOTROWSKI DATE: 4-16-09	DATE: 4-16-09		SIZE: A REVISION: R00 PAGE: 2 of 3
SCALE: BY VIEW			TECH: J. CAIRO DATE: 5-11-09	DATE: 5-11-09		
			APPROVED: T. SASADA DATE: 5-14-09	DATE: 5-14-09		DRAWING #: DD.J1K.FR11.N1

MINIMUM INSTALLATION CLEARANCES (SCALE 1:4)



NOTE:
FOR SIDE-BY-SIDE MOUNTING
CONSULT MANUAL

PANEL CUTOUT FOR EXTERNAL HEATSINK
MOUNTING CONFIGURATION (SCALE 1:4)



NOTES:
1. EXTERNAL HEATSINK
CONFIGURATION REQUIRES
MOUNTING KIT
2. EXPOSED HEATSINK
RECOMMENDED CLEARANCE
D=2.76" MINUS PANEL THICKNESS

TOLERANCES / REFERENCES:		<p>YASKAWA The Drive for Quality™</p> <p>THIS DOCUMENT AND INFORMATION CONTAINED IN IT ARE CONFIDENTIAL, AND CANNOT BE COPIED OR DISCLOSED IN WHOLE OR IN PART WITHOUT THE EXPRESS WRITTEN CONSENT OF YASKAWA ELECTRIC AMERICA INC.</p>	DRAWN: J. MATTAS DATE 11-20-08	DATE 11-20-08	TITLE: J1000 DIMENSION DRAWING FRAME SIZE 11 NEMA TYPE 1 ENCLOSURE 2A0020F & 4A0011F
			CHECKED: J. PIOTROWSKI DATE 4-16-09	DATE 4-16-09	
			TECH: J. CAIRO DATE 5-11-09	DATE 5-11-09	
			APPROVED: T. SASADA DATE 5-14-09	DATE 5-14-09	
UNITS: IN[mm]	SCALE: BY VIEW	ORIGINAL DESIGN: -	DATE -	SIZE A	REVISION R00
				PAGE 3 of 3	DRAWING #: DD.J1K.FR11.N1