

MODEL # CIMR-JU	VOLTAGE (VAC)	OUTPUT CURRENT (A)		WEIGHT LBS (Kg)	HEAT LOSS (W)					
		ND	HD		ND (Fc=2kHz)			HD (Fc=8kHz)		
					INT	EXT	TOT	INT	EXT	TOT
BA0001BXX	208/240	1.2	0.8	1.3 (0.6)	8.5	5.0	13.5	7.4	4.3	11.7
BA0002BXX	SINGLE-PHASE	1.9	1.6	1.3 (0.6)	9.7	7.6	17.3	8.9	7.9	16.8
2A0001BXX	208/240	1.2	0.8	1.3 (0.6)	8.0	5.0	13.0	7.3	4.3	11.6
2A0002BXX	THREE-PHASE	1.9	1.6	1.3 (0.6)	9.5	7.6	17.1	8.8	7.9	16.7

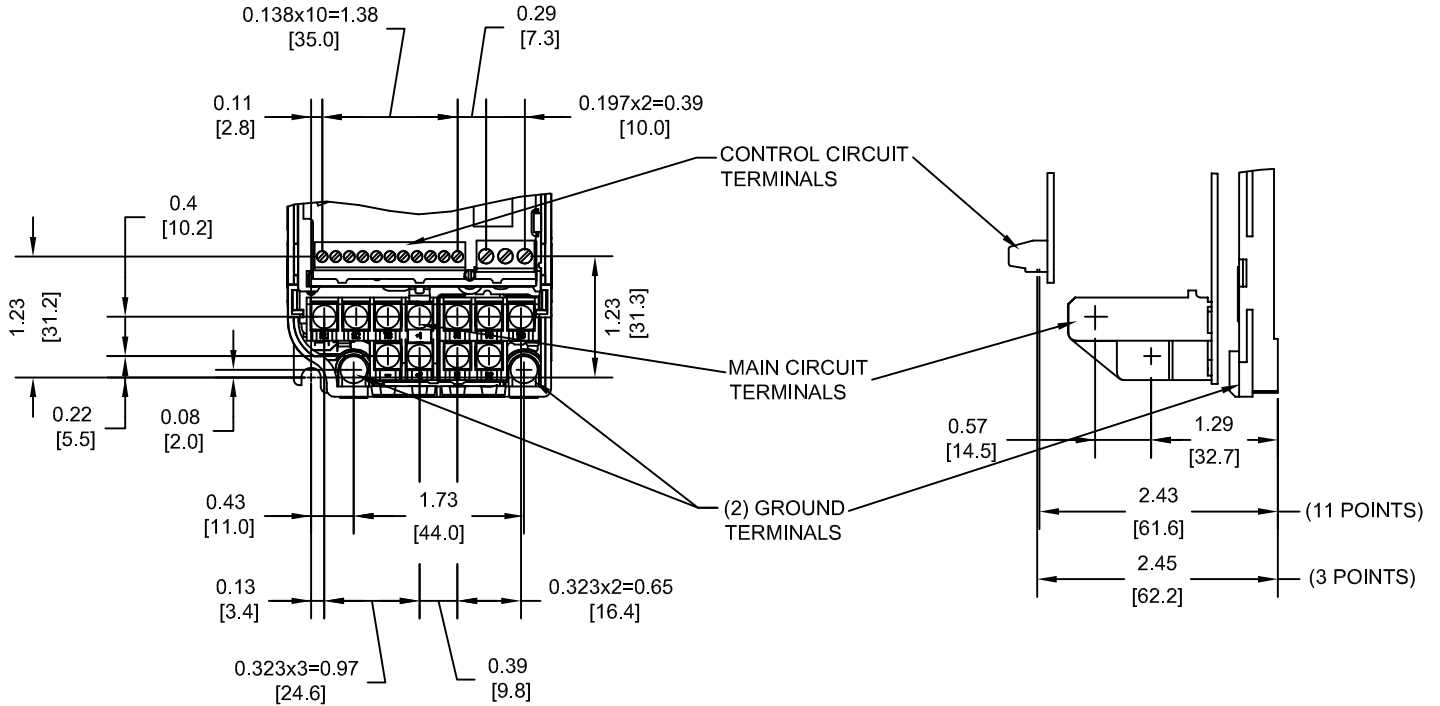
NOTE:
XX DENOTES AA-ZZ

INT=INTERNAL COMPONENTS
EXT=EXTERNAL HEATSINK
TOT=TOTAL

FOR ADDITIONAL DETAILS AND SPECIFICATIONS, CONSULT MANUAL

TOLERANCES / REFERENCES:		<p>YASKAWA The Drive for Quality™</p> <p><i>THIS DOCUMENT AND INFORMATION CONTAINED IN IT ARE CONFIDENTIAL, AND CANNOT BE COPIED OR DISCLOSED IN WHOLE OR IN PART WITHOUT THE EXPRESS WRITTEN CONSENT OF YASKAWA ELECTRIC AMERICA INC.</i></p>	DRAWN: J. MATTAS DATE: 7-28-08	TITLE: J1000 DIMENSION DRAWING FRAME SIZE 1 OPEN ENCLOSURE (IP20 RATING) BA0001B TO 0002B, 2A0001B TO 0002B
UNITS: IN [mm]	SCALE: 1:2		CHECKED: J. PIOTROWSKI DATE: 4-16-09	REVISION R00
			TECH: J. CAIRO DATE: 5-11-09	PAGE 1 of 3
			APPROVED: T. SASADA DATE: 5-14-09	DRAWING #: DD.J1K.FR1.IP20

TERMINAL AND WIRING DETAILS (SCALE 1:2)



TERMINAL AND WIRE SPECIFICATIONS FOR
MAIN CIRCUIT AND GROUND

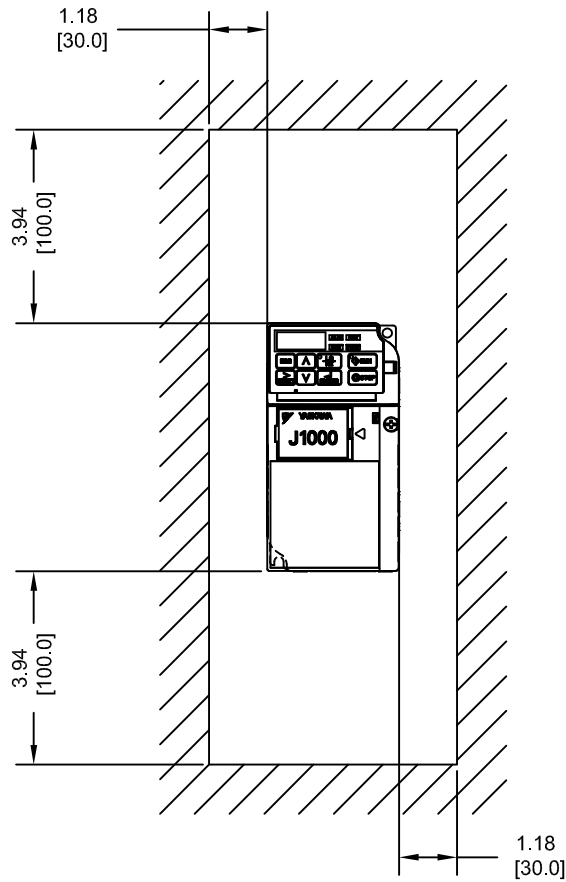
MODEL #	TERMINAL SCREW	CLAMPING TORQUE lb.in.(N.m.)	WIRE RANGE AWG(mm ²)
BA0001B	M3.5	7.1 TO 8.9 (0.8 TO 1.0)	22-14 (0.33-2.0)
BA0002B	M3.5	7.1 TO 8.9 (0.8 TO 1.0)	22-14 (0.33-2.0)
2A0001B	M3.5	7.1 TO 8.9 (0.8 TO 1.0)	22-14 (0.33-2.0)
2A0002B	M3.5	7.1 TO 8.9 (0.8 TO 1.0)	22-14 (0.33-2.0)

NOTE: RATINGS APPLY TO BOTH FACTORY AND FIELD WIRING
REFER TO APPLICABLE CODES FOR PROPER WIRE TYPE AND SIZE

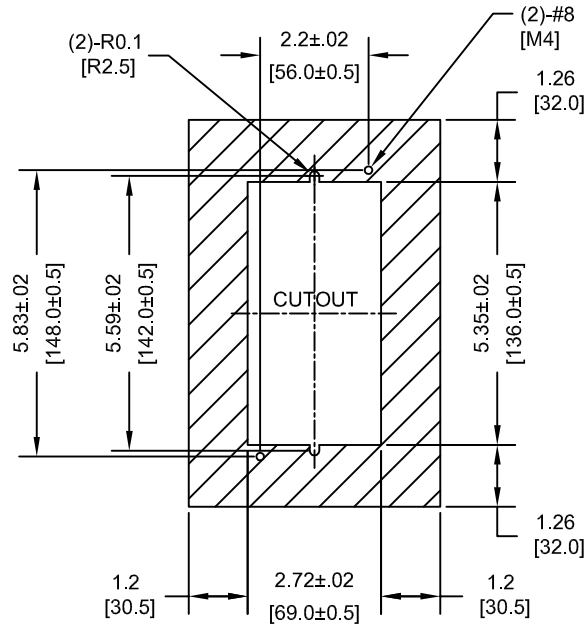
FOR ADDITIONAL DETAILS AND SPECIFICATIONS, CONSULT MANUAL

TOLERANCES / REFERENCES:	<p>THIS DOCUMENT AND INFORMATION CONTAINED IN IT ARE CONFIDENTIAL, AND CANNOT BE COPIED OR DISCLOSED IN WHOLE OR IN PART WITHOUT THE EXPRESS WRITTEN CONSENT OF YASKAWA ELECTRIC AMERICA INC.</p>	DRAWN: J. MATTAS	DATE 7-28-08	TITLE: J1000 DIMENSION DRAWING		
		CHECKED: J. PIOTROWSKI	DATE 4-16-09	FRAME SIZE 1		
		TECH: J. CAIRO	DATE 5-11-09	OPEN ENCLOSURE (IP20 RATING)		
		APPROVED: T. SASADA	DATE 5-14-09	SIZE A	REVISION R00	PAGE 2 of 3
UNITS: IN [mm]	SCALE: BY VIEW	ORIGINAL DESIGN: -	DATE -	DRAWING #: DD.J1K.FR1.IP20		

MINIMUM INSTALLATION CLEARANCES (SCALE 1:4)



PANEL CUTOUT FOR EXTERNAL HEATSINK MOUNTING CONFIGURATION (SCALE 1:4)



NOTES:

- EXTERNAL HEATSINK CONFIGURATION REQUIRES MOUNTING KIT
- EXPOSED HEATSINK RECOMMENDED CLEARANCE D=1.18" MINUS PANEL THICKNESS

TOLERANCES / REFERENCES:		<p>YASKAWA The Drive for Quality™</p>	DRAWN: J. MATTAS	DATE: 7-28-08	TITLE: J1000 DIMENSION DRAWING		
			CHECKED: J. PIOTROWSKI	DATE: 4-16-09	FRAME SIZE 1 OPEN ENCLOSURE (IP20 RATING) BA0001B TO 0002B, 2A0001B TO 0002B		
		THIS DOCUMENT AND INFORMATION CONTAINED IN IT ARE CONFIDENTIAL, AND CANNOT BE COPIED OR DISCLOSED IN WHOLE OR IN PART WITHOUT THE EXPRESS WRITTEN CONSENT OF YASKAWA ELECTRIC AMERICA INC.			TECH: J. CAIRO	DATE: 5-11-09	
					APPROVED: T. SASADA	DATE: 5-14-09	
UNITS: IN [mm]	SCALE: BY VIEW	ORIGINAL DESIGN: -		DATE: -	SIZE: A	REVISION: R00	PAGE: 3 of 3
					DRAWING #: DD.J1K.FR1.IP20		