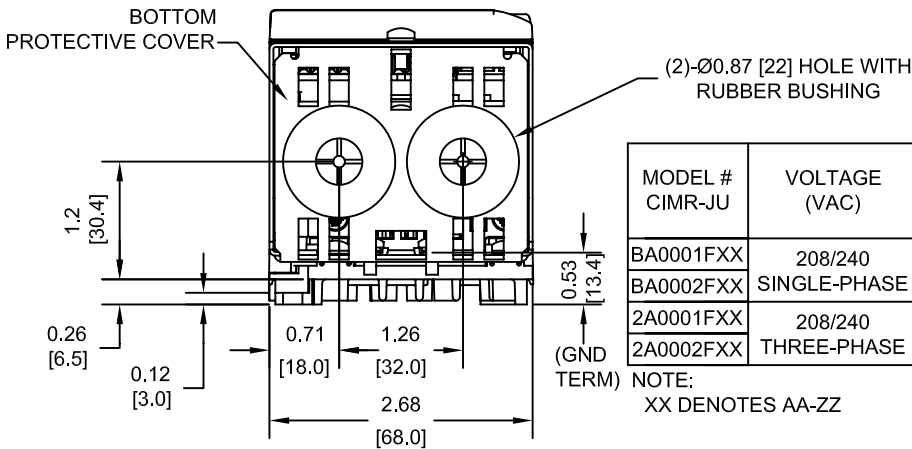
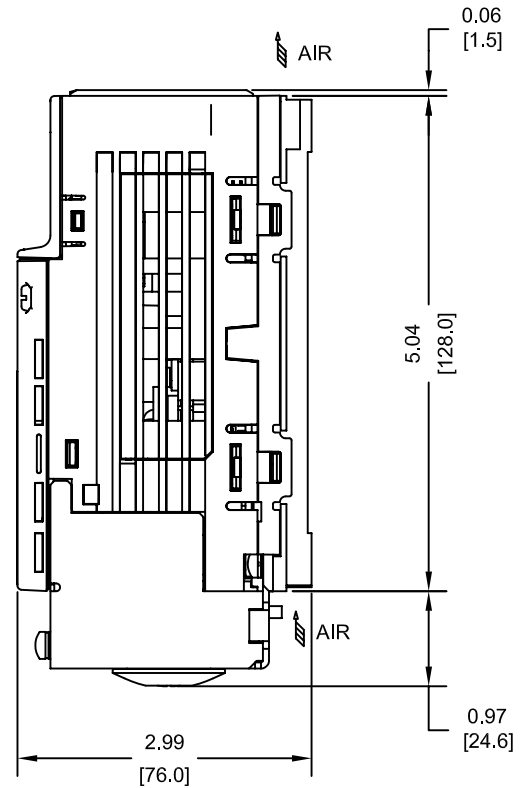
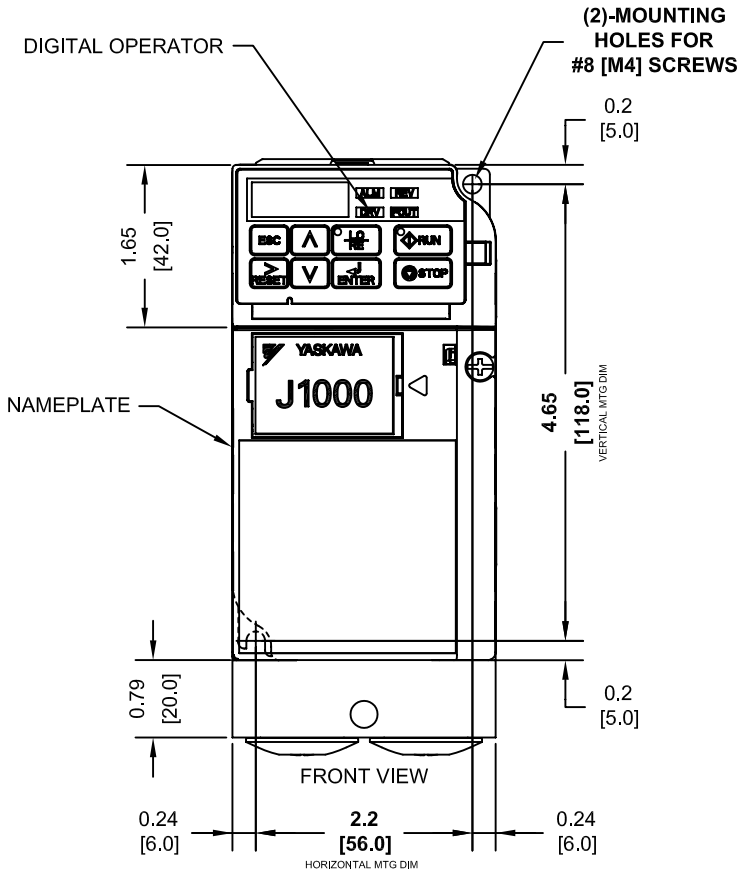
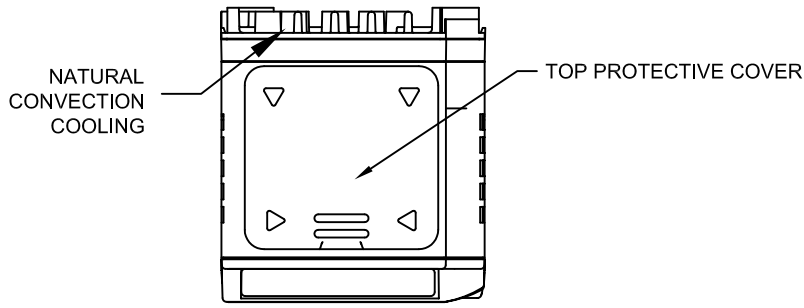


NOTE:

PROTECTIVE COVERS ARE FACTORY INSTALLED TO THE TOP AND BOTTOM OF THE DRIVE TO MEET IP20 & NEMA TYPE 1 REQUIREMENTS, RESULTING IN AN AMBIENT TEMPERATURE RATING OF 104F(40C). REMOVE THESE COVERS WHEN OPERATING THE DRIVE WITHIN A PANEL TO OBTAIN THE MAXIMUM SURROUNDING AIR TEMPERATURE RATING OF 122F(50C). REMOVING THESE COVERS RESULTS IN AN ENCLOSURE RATING OF IP00.



MODEL # CIMR-JU	VOLTAGE (VAC)	OUTPUT CURRENT (A)		WEIGHT LBS (Kg)	HEAT LOSS (W)					
		ND	HD		ND (Fc=2kHz)			HD (Fc=8kHz)		
					INT	EXT	TOT	INT	EXT	TOT
BA0001FXX	208/240	1.2	0.8	1.8 (0.8)	8.5	5.0	13.5	7.4	4.3	11.7
BA0002FXX	SINGLE-PHASE	1.9	1.6	1.8 (0.8)	9.7	7.6	17.3	8.9	7.9	16.8
2A0001FXX	208/240	1.2	0.8	1.8 (0.8)	8.0	5.0	13.0	7.3	4.3	11.6
2A0002FXX	THREE-PHASE	1.9	1.6	1.8 (0.8)	9.5	7.6	17.1	8.8	7.9	16.7

NOTE:
XX DENOTES AA-ZZ

INT=INTERNAL COMPONENTS
EXT=EXTERNAL HEATSINK
TOT=TOTAL

FOR ADDITIONAL DETAILS AND SPECIFICATIONS, CONSULT MANUAL

TOLERANCES / REFERENCES:		<p>YASKAWA The Drive for Quality™</p> <p>THIS DOCUMENT AND INFORMATION CONTAINED IN IT ARE CONFIDENTIAL, AND CANNOT BE COPIED OR DISCLOSED IN WHOLE OR IN PART WITHOUT THE EXPRESS WRITTEN CONSENT OF YASKAWA ELECTRIC AMERICA INC.</p>	DRAWN: J. MATTAS DATE 11-20-08	DATE 11-20-08	TITLE: J1000 DIMENSION DRAWING FRAME SIZE 1 NEMA TYPE 1 ENCLOSURE BA0001F TO 0002F, 2A0001F TO 0002F		
UNITS: IN[mm]	SCALE: 1:2		CHECKED: J. PIOTROWSKI DATE 4-16-09	DATE 4-16-09	SIZE A	REVISION R00	PAGE 1 of 3
			APPROVED: T. SASADA DATE 5-14-09	DATE 5-14-09	DRAWING #: DD.J1K.FR1.N1		
			ORIGINAL DESIGN: -	DATE -			

1 2 3 4 5 6 7 8

A

B

C

D

E

F

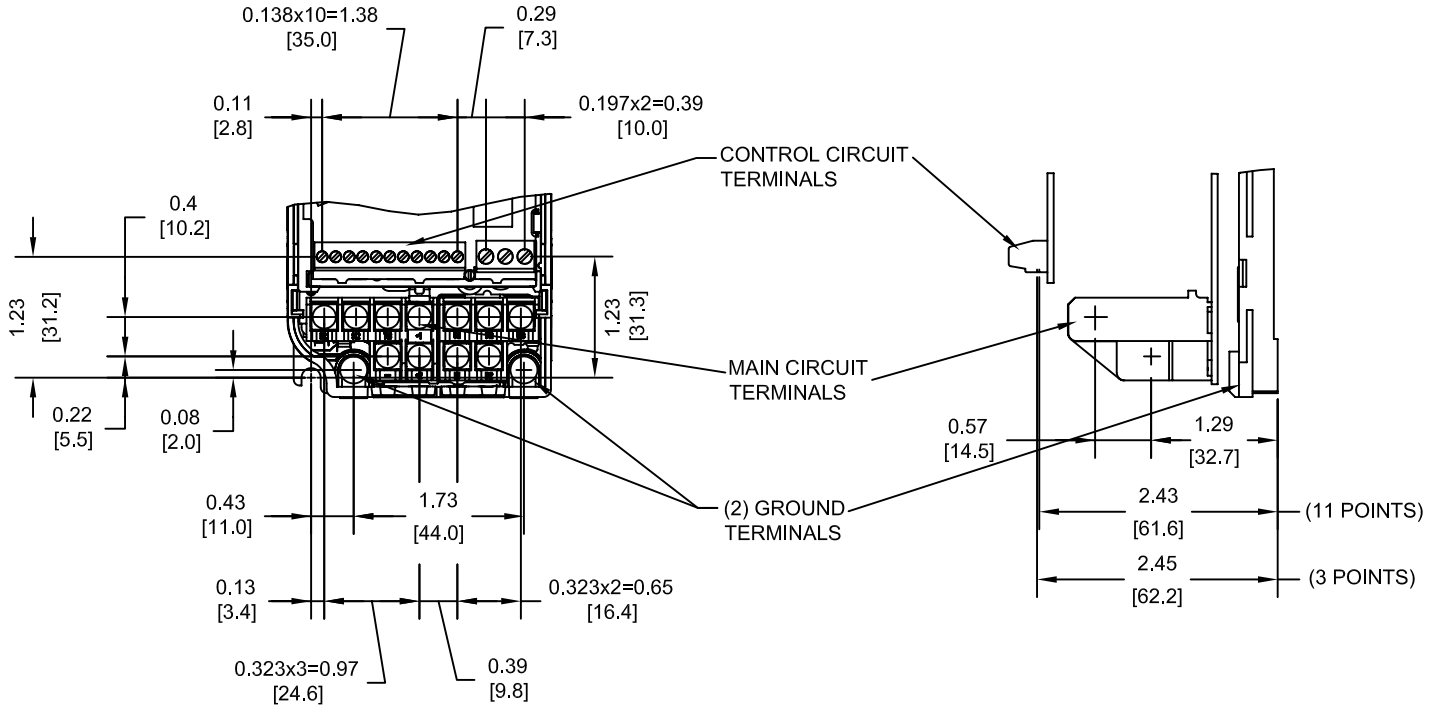
G

H

I

J

TERMINAL AND WIRING DETAILS (SCALE 1:2)



TERMINAL AND WIRE SPECIFICATIONS FOR
MAIN CIRCUIT AND GROUND

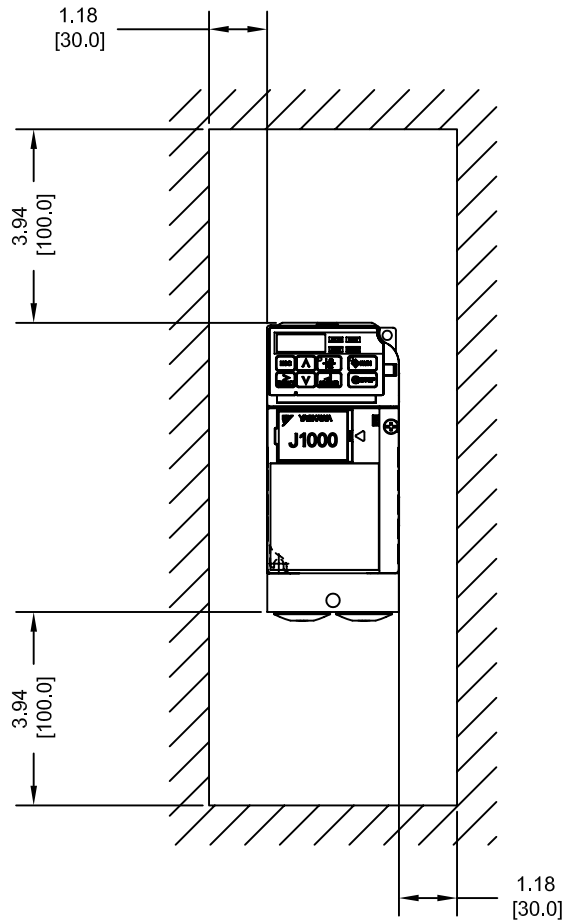
MODEL #	TERMINAL SCREW	CLAMPING TORQUE lb.in.(N.m.)	WIRE RANGE AWG(mm ²)
BA0001F	M3.5	7.1 TO 8.9 (0.8 TO 1.0)	22-14 (0.33-2.0)
BA0002F	M3.5	7.1 TO 8.9 (0.8 TO 1.0)	22-14 (0.33-2.0)
2A0001F	M3.5	7.1 TO 8.9 (0.8 TO 1.0)	22-14 (0.33-2.0)
2A0002F	M3.5	7.1 TO 8.9 (0.8 TO 1.0)	22-14 (0.33-2.0)

NOTE: RATINGS APPLY TO BOTH FACTORY AND FIELD WIRING
REFER TO APPLICABLE CODES FOR PROPER WIRE TYPE AND SIZE

FOR ADDITIONAL DETAILS AND SPECIFICATIONS, CONSULT MANUAL

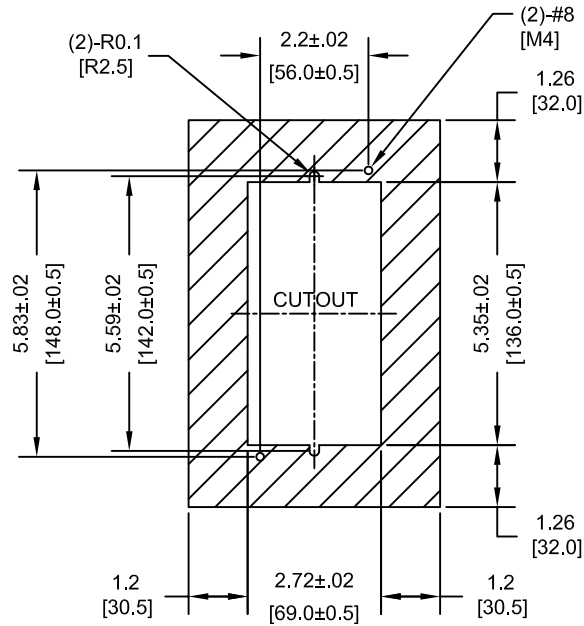
TOLERANCES / REFERENCES:		<p>THIS DOCUMENT AND INFORMATION CONTAINED IN IT ARE CONFIDENTIAL, AND CANNOT BE COPIED OR DISCLOSED IN WHOLE OR IN PART WITHOUT THE EXPRESS WRITTEN CONSENT OF YASKAWA ELECTRIC AMERICA INC.</p>	DRAWN: J. MATTAS DATE 11-20-08	TITLE: J1000 DIMENSION DRAWING FRAME SIZE 1 NEMA TYPE 1 ENCLOSURE BA0001F TO 0002F, 2A0001F TO 0002F
UNITS: IN[mm]			CHECKED: J. PIOTROWSKI DATE 4-16-09	TECH: J. CAIRO DATE 5-11-09
SCALE: BY VIEW			APPROVED: T. SASADA DATE 5-14-09	ORIGINAL DESIGN: - DATE -
			SIZE A	REVISION R00
		DRAWING #: DD.J1K.FR1.N1		

MINIMUM INSTALLATION CLEARANCES (SCALE 1:4)



NOTE:
FOR SIDE-BY-SIDE MOUNTING
CONSULT MANUAL

PANEL CUTOUT FOR EXTERNAL HEATSINK
MOUNTING CONFIGURATION (SCALE 1:4)



NOTES:
1. EXTERNAL HEATSINK
CONFIGURATION REQUIRES
MOUNTING KIT
2. EXPOSED HEATSINK
RECOMMENDED CLEARANCE
D=1.18" MINUS PANEL THICKNESS

TOLERANCES / REFERENCES:		<p>YASKAWA The Drive for Quality™</p> <p>THIS DOCUMENT AND INFORMATION CONTAINED IN IT ARE CONFIDENTIAL, AND CANNOT BE COPIED OR DISCLOSED IN WHOLE OR IN PART WITHOUT THE EXPRESS WRITTEN CONSENT OF YASKAWA ELECTRIC AMERICA INC.</p>	DRAWN: J. MATTAS	DATE: 11-20-08	TITLE: J1000 DIMENSION DRAWING
			CHECKED: J. PIOTROWSKI	DATE: 4-16-09	FRAME SIZE 1 NEMA TYPE 1 ENCLOSURE
			TECH: J. CAIRO	DATE: 5-11-09	BA0001F TO 0002F, 2A0001F TO 0002F
			APPROVED: T. SASADA	DATE: 5-14-09	SIZE: A REVISION: R00 PAGE: 3 of 3
UNITS: IN[mm]	SCALE: BY VIEW	ORIGINAL DESIGN:	DATE:	DRAWING #: DD.J1K.FR1.N1	