

MODEL # CIMR-JU	VOLTAGE SINGLE PHASE (VAC)	OUTPUT CURRENT (A)		WEIGHT LBS (Kg)	HEAT LOSS (W)					
		ND	HD		ND (Fc=2kHz)			HD (Fc=8kHz)		
					INT	EXT	TOT	INT	EXT	TOT
BA0010BXX	208/240	9.6	8.0	4.0 (1.8)	29.8	51.7	81.5	25.9	54.8	80.7

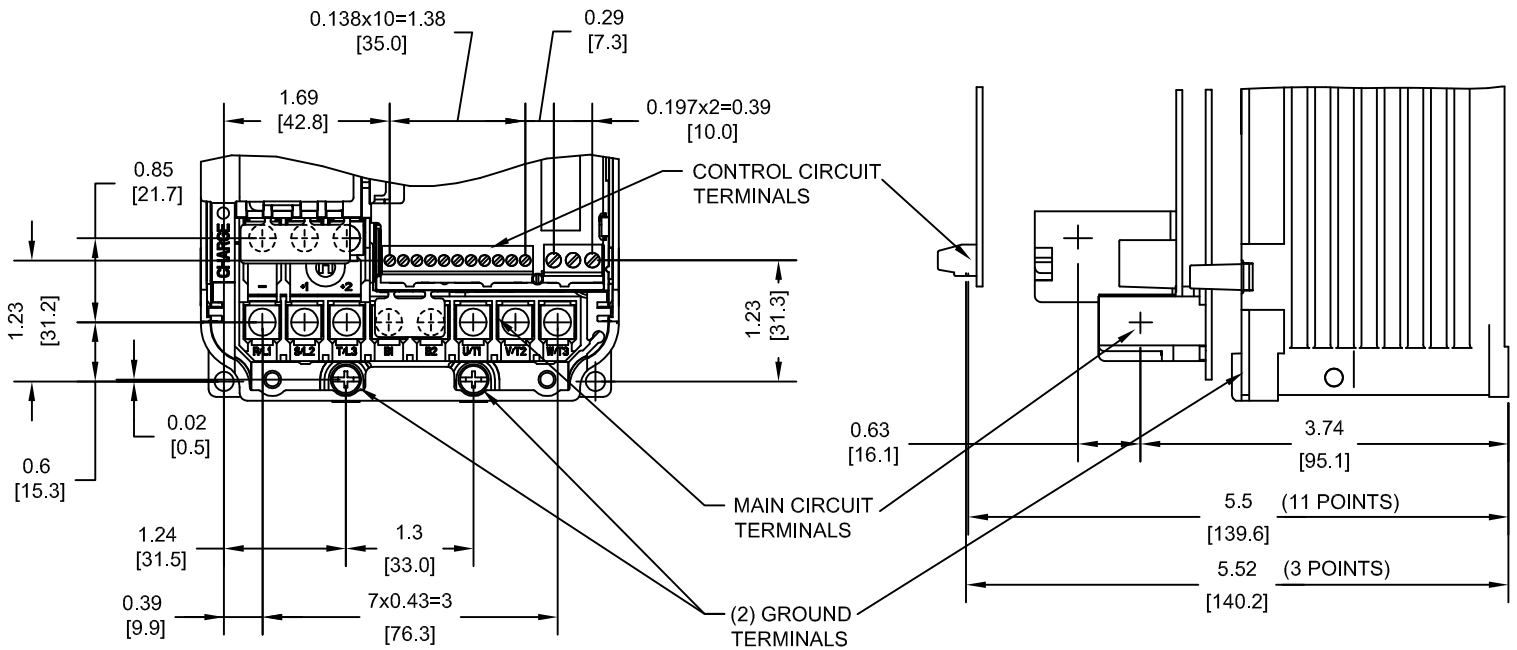
NOTE:  
XX DENOTES AA-ZZ

INT=INTERNAL COMPONENTS  
EXT=EXTERNAL HEATSINK  
TOT=TOTAL

FOR ADDITIONAL DETAILS AND SPECIFICATIONS, CONSULT MANUAL

TOLERANCES / REFERENCES:		<p><b>YASKAWA</b> The Drive for Quality™</p> <p>THIS DOCUMENT AND INFORMATION CONTAINED IN IT ARE CONFIDENTIAL, AND CANNOT BE COPIED OR DISCLOSED IN WHOLE OR IN PART WITHOUT THE EXPRESS WRITTEN CONSENT OF YASKAWA ELECTRIC AMERICA INC.</p>	DRAWN: J. MATTAS	DATE: 7-31-08	TITLE: J1000 DIMENSION DRAWING FRAME SIZE 10 OPEN ENCLOSURE (IP20 RATING) BA0010B	
UNITS: IN [mm]			CHECKED: J. PIOTROWSKI	DATE: 4-16-09		SIZE: A
SCALE: 1:3			TECH: J. CAIRO	DATE: 5-11-09		REVISION: R00
			APPROVED: T. SASADA	DATE: 5-14-09		PAGE: 1 of 3
		ORIGINAL DESIGN: -	DATE: -	DRAWING #: <b>DD.J1K.FR10.IP20</b>		

TERMINAL AND WIRING DETAILS (SCALE 1:2)



TERMINAL AND WIRE SPECIFICATIONS FOR  
MAIN CIRCUIT AND GROUND

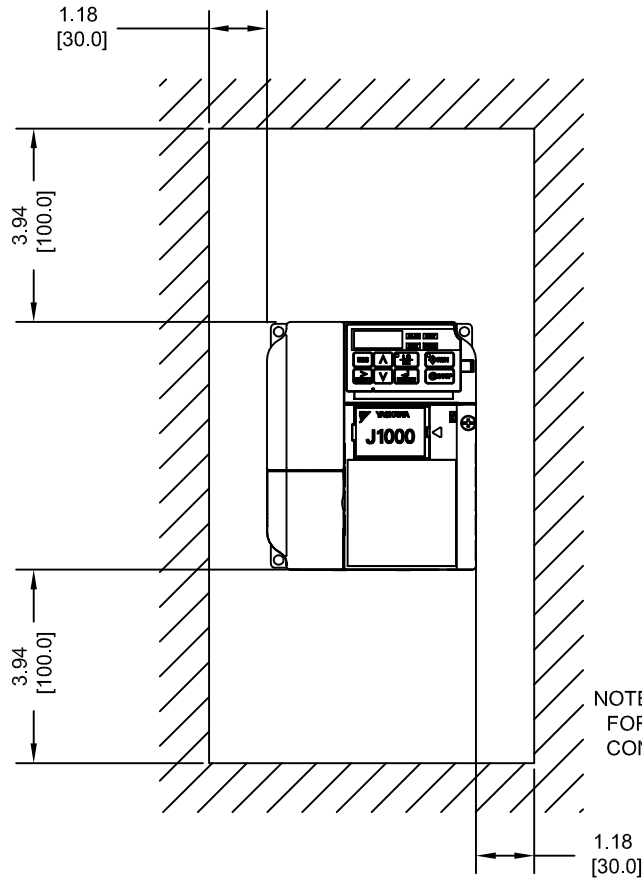
MODEL #	TERMINAL SCREW	CLAMPING TORQUE lb.in.(N.m.)	WIRE RANGE AWG(mm <sup>2</sup> )
BA0010B	M4	10.6 TO 13.3 (1.2 TO 1.5)	22-10 (0.33-5.5)

NOTE: RATINGS APPLY TO BOTH FACTORY AND FIELD WIRING  
REFER TO APPLICABLE CODES FOR PROPER WIRE TYPE AND SIZE

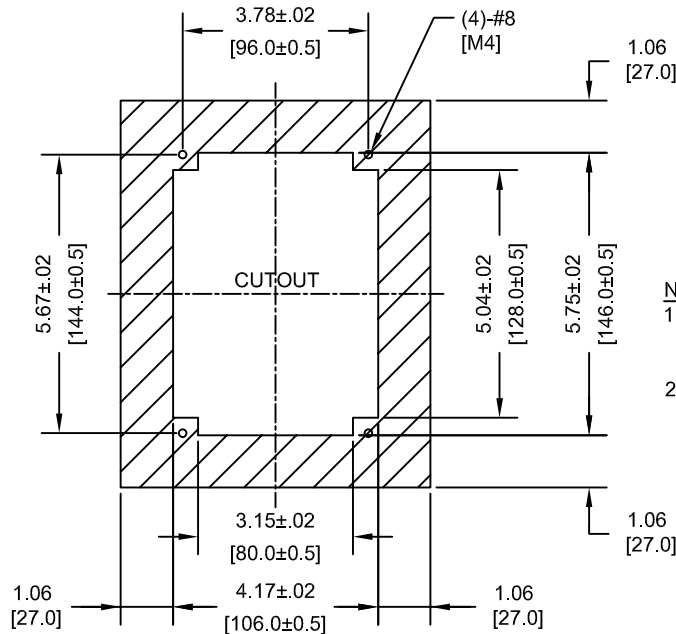
FOR ADDITIONAL DETAILS AND SPECIFICATIONS, CONSULT MANUAL

TOLERANCES / REFERENCES:		<p>THIS DOCUMENT AND INFORMATION CONTAINED IN IT ARE CONFIDENTIAL, AND CANNOT BE COPIED OR DISCLOSED IN WHOLE OR IN PART WITHOUT THE EXPRESS WRITTEN CONSENT OF YASKAWA ELECTRIC AMERICA INC.</p>	DRAWN: J. MATTAS DATE: 7-31-08	TITLE: J1000 DIMENSION DRAWING FRAME SIZE 10 OPEN ENCLOSURE (IP20 RATING) BA0010B
UNITS: IN [mm]			CHECKED: J. PIOTROWSKI DATE: 4-16-09	TECH: J. CAIRO DATE: 5-11-09
SCALE: BY VIEW			APPROVED: T. SASADA DATE: 5-14-09	ORIGINAL DESIGN: - DATE: -
			SIZE: A REVISION: R00 PAGE: 2 of 3	DRAWING #: DD.J1K.FR10.IP20

MINIMUM INSTALLATION CLEARANCES (SCALE 1:4)



PANEL CUTOUT FOR EXTERNAL HEATSINK MOUNTING CONFIGURATION (SCALE 1:4)



- NOTES:
- EXTERNAL HEATSINK CONFIGURATION REQUIRES MOUNTING KIT
  - EXPOSED HEATSINK RECOMMENDED CLEARANCE D=2.76" MINUS PANEL THICKNESS

TOLERANCES / REFERENCES:		<p><b>YASKAWA</b> The Drive for Quality™</p> <p>THIS DOCUMENT AND INFORMATION CONTAINED IN IT ARE CONFIDENTIAL, AND CANNOT BE COPIED OR DISCLOSED IN WHOLE OR IN PART WITHOUT THE EXPRESS WRITTEN CONSENT OF YASKAWA ELECTRIC AMERICA INC.</p>	DRAWN: J. MATTAS DATE: 7-31-08	DATE: 7-31-08	TITLE: J1000 DIMENSION DRAWING FRAME SIZE 10 OPEN ENCLOSURE (IP20 RATING) BA0010B		
UNITS: IN [mm]			CHECKED: J. PIOTROWSKI DATE: 4-16-09	DATE: 4-16-09	SIZE: A	REVISION: R00	PAGE: 3 of 3
SCALE: BY VIEW			TECH: J. CAIRO DATE: 5-11-09	DATE: 5-11-09	ORIGINAL DESIGN: -	DRAWING #: DD.J1K.FR10.IP20	
			APPROVED: T. SASADA DATE: 5-14-09	DATE: 5-14-09			