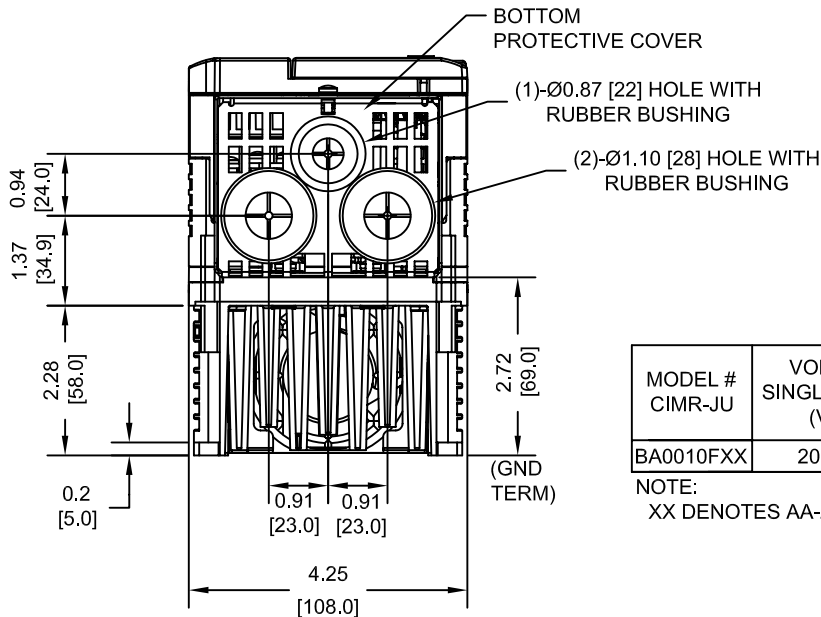
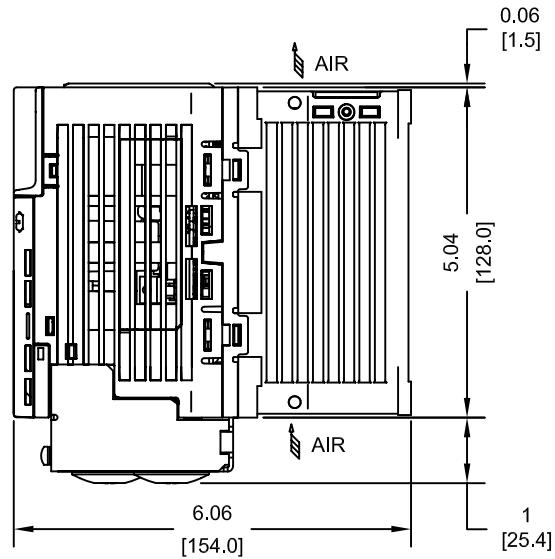
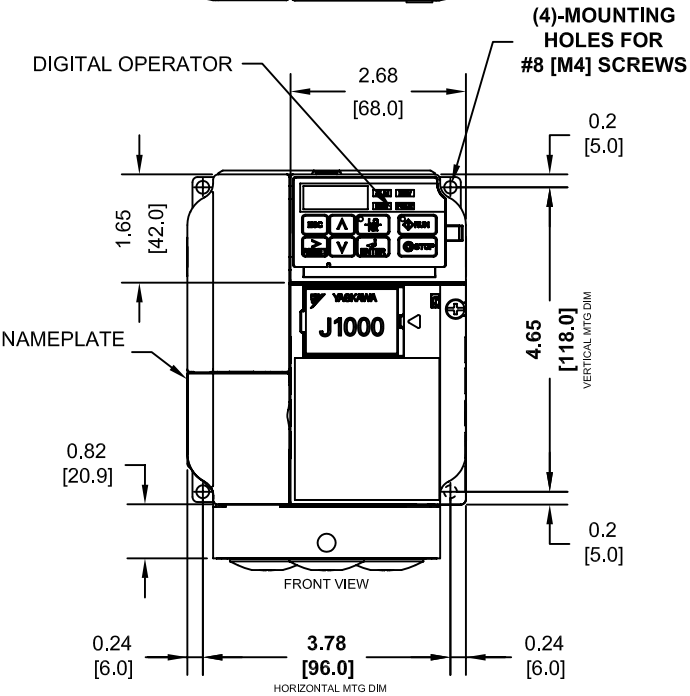


**NOTE:**  
 PROTECTIVE COVERS ARE FACTORY INSTALLED TO THE TOP AND BOTTOM OF THE DRIVE TO MEET IP20 & NEMA TYPE 1 REQUIREMENTS, RESULTING IN AN AMBIENT TEMPERATURE RATING OF 104F(40C). REMOVE THESE COVERS WHEN OPERATING THE DRIVE WITHIN A PANEL TO OBTAIN THE MAXIMUM SURROUNDING AIR TEMPERATURE RATING OF 122F(50C). REMOVING THESE COVERS RESULTS IN AN ENCLOSURE RATING OF IP00.



MODEL # CIMR-JU	VOLTAGE SINGLE PHASE (VAC)	OUTPUT CURRENT (A)		WEIGHT LBS (Kg)	HEAT LOSS (W)					
		ND	HD		ND (Fc=2kHz)			HD (Fc=8kHz)		
					INT	EXT	TOT	INT	EXT	TOT
BA0010FXX	208/240	9.6	8.0	4.4 (2.0)	29.8	51.7	81.5	25.9	54.8	80.7

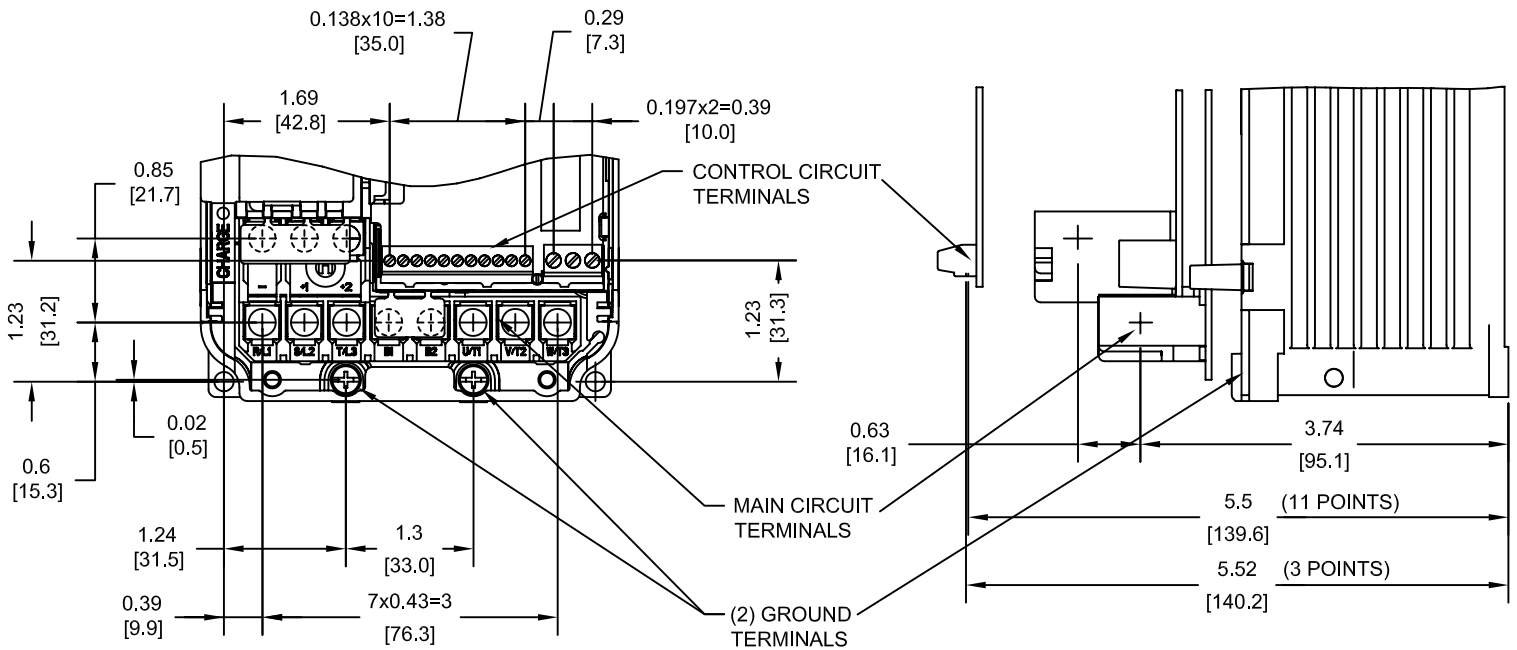
**NOTE:**  
 XX DENOTES AA-ZZ

INT=INTERNAL COMPONENTS  
 EXT=EXTERNAL HEATSINK  
 TOT=TOTAL

FOR ADDITIONAL DETAILS AND SPECIFICATIONS, CONSULT MANUAL

TOLERANCES / REFERENCES:		<p><b>YASKAWA</b> The Drive for Quality™</p> <p>THIS DOCUMENT AND INFORMATION CONTAINED IN IT ARE CONFIDENTIAL, AND CANNOT BE COPIED OR DISCLOSED IN WHOLE OR IN PART WITHOUT THE EXPRESS WRITTEN CONSENT OF YASKAWA ELECTRIC AMERICA INC.</p>	DRAWN: J. MATTAS CHECKED: J. PIOTROWSKI TECH: J. CAIRO APPROVED: T. SASADA ORIGINAL DESIGN: -	DATE: 11-20-08 DATE: 4-16-09 DATE: 5-11-09 DATE: 5-14-09 DATE: -	TITLE: J1000 DIMENSION DRAWING FRAME SIZE 10 NEMA TYPE 1 ENCLOSURE BA0010F
UNITS: IN[mm]	SCALE: 1:3		SIZE A	REVISION R00	PAGE 1 of 3

TERMINAL AND WIRING DETAILS (SCALE 1:2)



TERMINAL AND WIRE SPECIFICATIONS FOR  
MAIN CIRCUIT AND GROUND

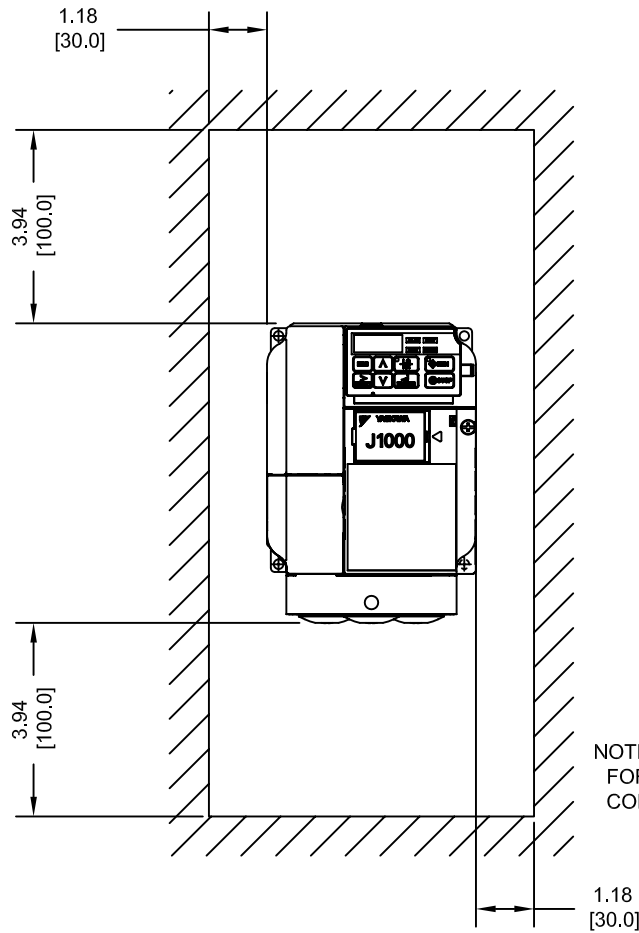
MODEL #	TERMINAL SCREW	CLAMPING TORQUE lb.in.(N.m.)	WIRE RANGE AWG(mm <sup>2</sup> )
CIMR-JU	M4	10.6 TO 13.3 (1.2 TO 1.5)	22-10 (0.33-5.5)

NOTE: RATINGS APPLY TO BOTH FACTORY AND FIELD WIRING  
REFER TO APPLICABLE CODES FOR PROPER WIRE TYPE AND SIZE

FOR ADDITIONAL DETAILS AND SPECIFICATIONS, CONSULT MANUAL

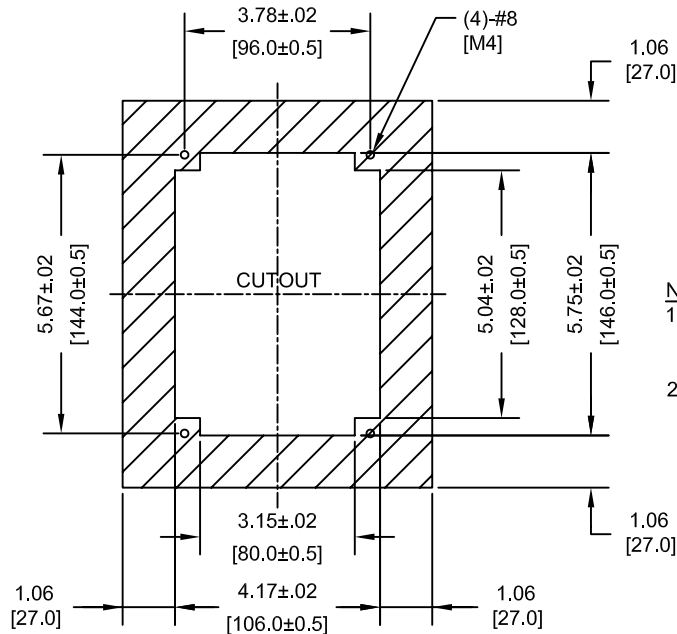
TOLERANCES / REFERENCES:		<p>THIS DOCUMENT AND INFORMATION CONTAINED IN IT ARE CONFIDENTIAL, AND CANNOT BE COPIED OR DISCLOSED IN WHOLE OR IN PART WITHOUT THE EXPRESS WRITTEN CONSENT OF YASKAWA ELECTRIC AMERICA INC.</p>	DRAWN: J. MATTAS DATE 11-20-08	TITLE: J1000 DIMENSION DRAWING FRAME SIZE 10 NEMA TYPE 1 ENCLOSURE BA0010F
UNITS: IN[mm]			CHECKED: J. PIOTROWSKI DATE 4-16-09	TECH: J. CAIRO DATE 5-11-09
SCALE: BY VIEW			APPROVED: T. SASADA DATE 5-14-09	ORIGINAL DESIGN: - DATE -
			SIZE A	REVISION R00
		DRAWING #: <b>DD.J1K.FR10.N1</b>		

MINIMUM INSTALLATION CLEARANCES (SCALE 1:4)



NOTE:  
FOR SIDE-BY-SIDE MOUNTING  
CONSULT MANUAL

PANEL CUTOUT FOR EXTERNAL HEATSINK  
MOUNTING CONFIGURATION (SCALE 1:4)



NOTES:  
1. EXTERNAL HEATSINK  
CONFIGURATION REQUIRES  
MOUNTING KIT  
2. EXPOSED HEATSINK  
RECOMMENDED CLEARANCE  
D=2.76" MINUS PANEL THICKNESS

TOLERANCES / REFERENCES:		<p><b>YASKAWA</b> The Drive for Quality™</p> <p>THIS DOCUMENT AND INFORMATION CONTAINED IN IT ARE CONFIDENTIAL, AND CANNOT BE COPIED OR DISCLOSED IN WHOLE OR IN PART WITHOUT THE EXPRESS WRITTEN CONSENT OF YASKAWA ELECTRIC AMERICA INC.</p>	DRAWN: J. MATTAS DATE 11-20-08	TITLE: J1000 DIMENSION DRAWING FRAME SIZE 10 NEMA TYPE 1 ENCLOSURE BA0010F		
UNITS: IN[mm]			CHECKED: J. PIOTROWSKI DATE 4-16-09	SIZE A	REVISION R00	PAGE 3 of 3
SCALE: BY VIEW			TECH: J. CAIRO DATE 5-11-09	DATE 5-14-09	DRAWING #: <b>DD.J1K.FR10.N1</b>	
			APPROVED: T. SASADA DATE 5-14-09	ORIGINAL DESIGN: - DATE -		