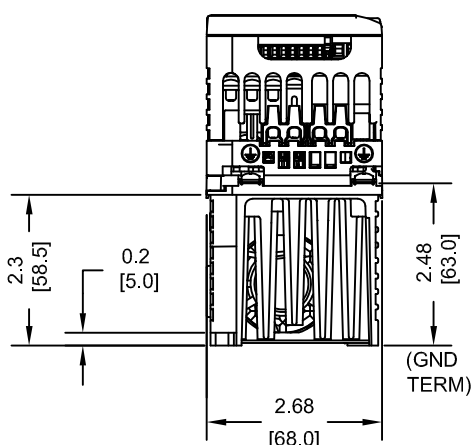
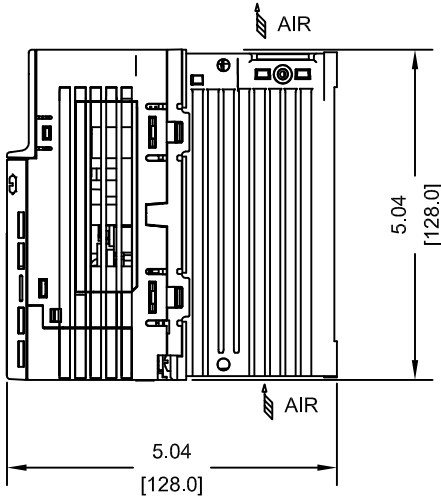
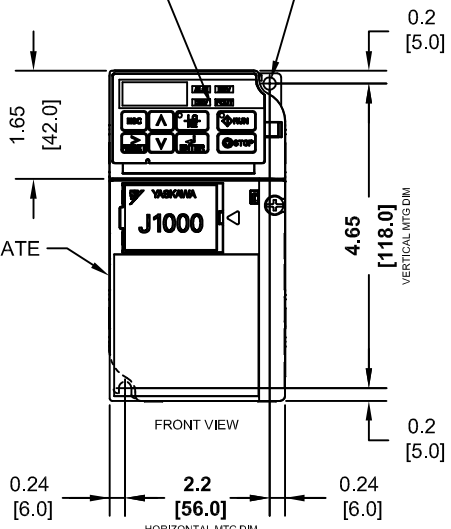


COOLING FAN

DIGITAL OPERATOR
(2)-MOUNTING HOLES FOR #8 [M4] SCREWS



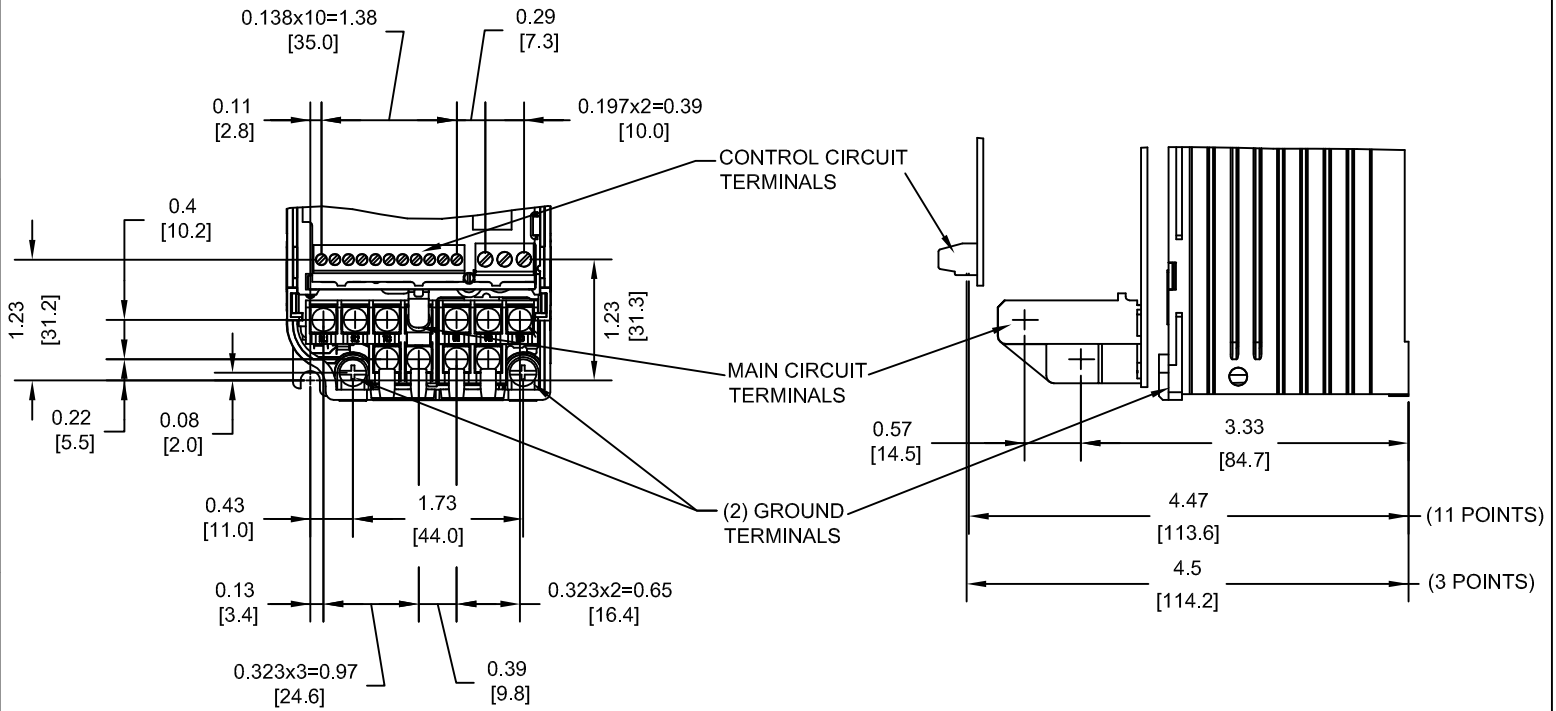
MODEL # CIMR-JU	VOLTAGE THREE PHASE (VAC)	OUTPUT CURRENT (A)		WEIGHT LBS (Kg)	HEAT LOSS (W)					
		ND	HD		ND (Fc=2kHz)			HD (Fc=8kHz)		
					INT	EXT	TOT	INT	EXT	TOT
2A0006BXX	208/240	6.0	5.0	2.4 (1.1)	17.2	27.5	44.7	15.9	27.4	43.3

NOTE:
XX DENOTES AA-ZZ
INT=INTERNAL COMPONENTS
EXT=EXTERNAL HEATSINK
TOT=TOTAL

FOR ADDITIONAL DETAILS AND SPECIFICATIONS, CONSULT MANUAL

TOLERANCES / REFERENCES:		<p>YASKAWA The Drive for Quality™</p> <p><i>THIS DOCUMENT AND INFORMATION CONTAINED IN IT ARE CONFIDENTIAL, AND CANNOT BE COPIED OR DISCLOSED IN WHOLE OR IN PART WITHOUT THE EXPRESS WRITTEN CONSENT OF YASKAWA ELECTRIC AMERICA INC.</i></p>	DRAWN: J. MATTAS DATE: 7-28-08	DATE: 7-28-08	TITLE: J1000 DIMENSION DRAWING FRAME SIZE 4 OPEN ENCLOSURE (IP20 RATING) 2A0006B	
UNITS: IN [mm]	SCALE: 1:3		CHECKED: J. PIOTROWSKI DATE: 4-16-09	DATE: 4-16-09		
			TECH: J. CAIRO DATE: 5-11-09	DATE: 5-11-09		
		APPROVED: T. SASADA DATE: 5-14-09	DATE: 5-14-09	SIZE: A	REVISION: R00	PAGE: 1 of 3
		ORIGINAL DESIGN: -	DATE: -	DRAWING #: DD.J1K.FR4.IP20		

TERMINAL AND WIRING DETAILS (SCALE 1:2)



TERMINAL AND WIRE SPECIFICATIONS FOR
MAIN CIRCUIT AND GROUND

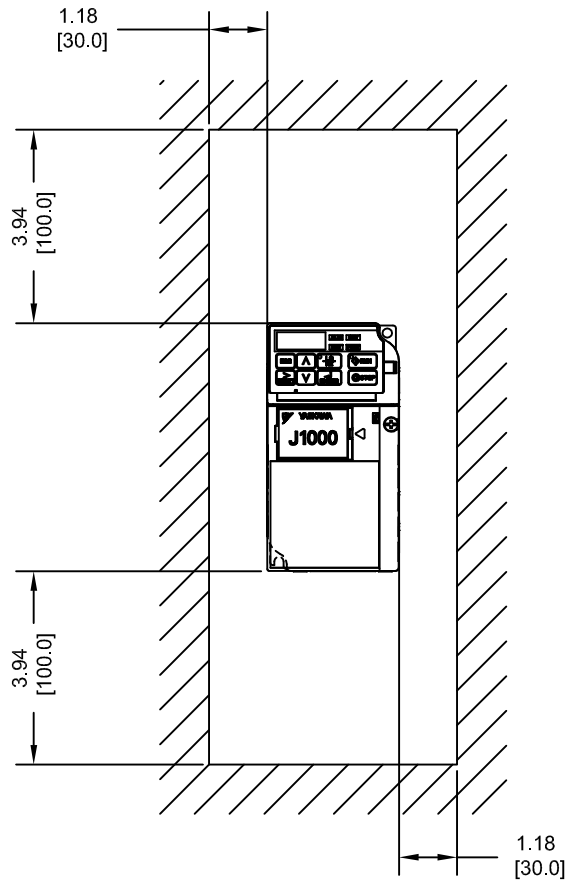
MODEL #	TERMINAL SCREW	CLAMPING TORQUE lb.in.(N.m.)	WIRE RANGE AWG(mm ²)
CIMR-JU	M3.5	7.1 TO 8.9 (0.8 TO 1.0)	22-14 (0.33-2.0)
2A0006B	M3.5	7.1 TO 8.9 (0.8 TO 1.0)	22-14 (0.33-2.0)

NOTE: RATINGS APPLY TO BOTH FACTORY AND FIELD WIRING
REFER TO APPLICABLE CODES FOR PROPER WIRE TYPE AND SIZE

FOR ADDITIONAL DETAILS AND SPECIFICATIONS, CONSULT MANUAL

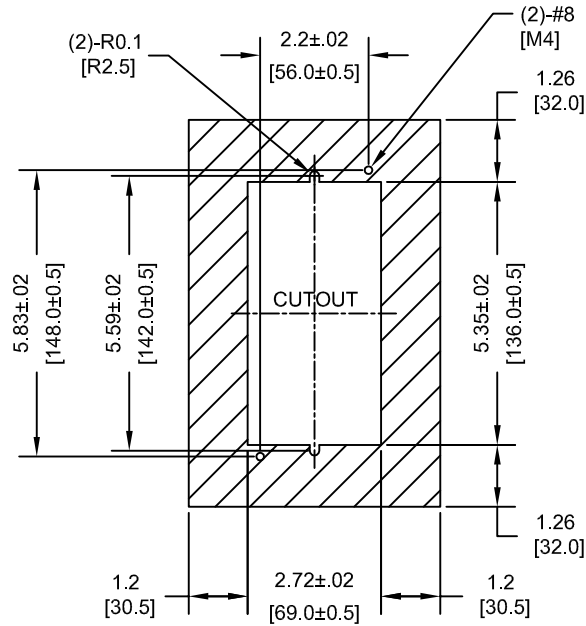
TOLERANCES / REFERENCES:		<p>THIS DOCUMENT AND INFORMATION CONTAINED IN IT ARE CONFIDENTIAL, AND CANNOT BE COPIED OR DISCLOSED IN WHOLE OR IN PART WITHOUT THE EXPRESS WRITTEN CONSENT OF YASKAWA ELECTRIC AMERICA INC.</p>	DRAWN: J. MATTAS DATE: 7-28-08	DATE: 7-28-08	TITLE: J1000 DIMENSION DRAWING FRAME SIZE 4 OPEN ENCLOSURE (IP20 RATING) 2A0006B		
			CHECKED: J. PIOTROWSKI DATE: 4-16-09	DATE: 4-16-09	SIZE: A	REVISION: R00	PAGE: 2 of 3
			TECH: J. CAIRO DATE: 5-11-09	DATE: 5-11-09	DRAWING #:		
UNITS: IN [mm]	SCALE: BY VIEW		APPROVED: T. SASADA DATE: 5-14-09	DATE: 5-14-09	DD.J1K.FR4.IP20		

MINIMUM INSTALLATION CLEARANCES (SCALE 1:4)



NOTE:
FOR SIDE-BY-SIDE MOUNTING
CONSULT MANUAL

PANEL CUTOUT FOR EXTERNAL HEATSINK
MOUNTING CONFIGURATION (SCALE 1:4)



NOTES:
1. EXTERNAL HEATSINK
CONFIGURATION REQUIRES
MOUNTING KIT
2. EXPOSED HEATSINK
RECOMMENDED CLEARANCE
D=2.76" MINUS PANEL THICKNESS

TOLERANCES / REFERENCES:		<p>THIS DOCUMENT AND INFORMATION CONTAINED IN IT ARE CONFIDENTIAL, AND CANNOT BE COPIED OR DISCLOSED IN WHOLE OR IN PART WITHOUT THE EXPRESS WRITTEN CONSENT OF YASKAWA ELECTRIC AMERICA INC.</p>	DRAWN: J. MATTAS	DATE: 7-28-08	TITLE: J1000 DIMENSION DRAWING FRAME SIZE 4 OPEN ENCLOSURE (IP20 RATING) 2A0006B		
			CHECKED: J. PIOTROWSKI	DATE: 4-16-09	SIZE: A	REVISION: R00	PAGE: 3 of 3
			TECH: J. CAIRO	DATE: 5-11-09	DRAWING #:		
			APPROVED: T. SASADA	DATE: 5-14-09	DD.J1K.FR4.IP20		
UNITS: IN [mm]	SCALE: BY VIEW	ORIGINAL DESIGN:	DATE:				