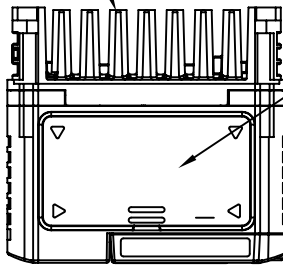
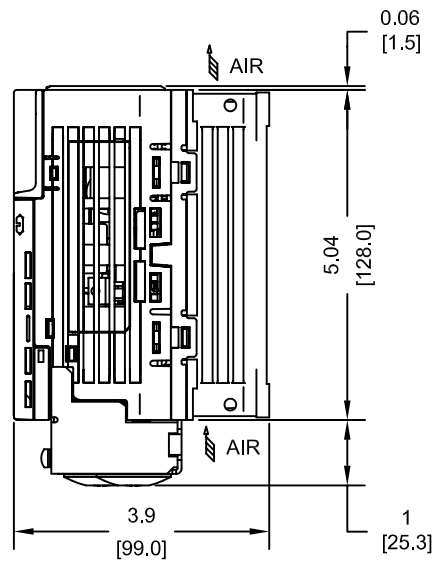
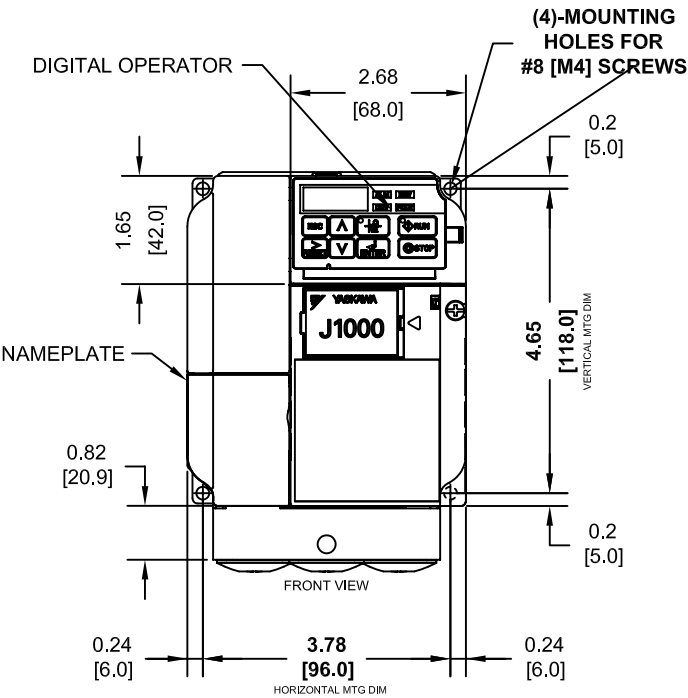


NOTE:
 PROTECTIVE COVERS ARE FACTORY INSTALLED TO THE TOP AND BOTTOM OF THE DRIVE TO MEET IP20 & NEMA TYPE 1 REQUIREMENTS, RESULTING IN AN AMBIENT TEMPERATURE RATING OF 104F(40C). REMOVE THESE COVERS WHEN OPERATING THE DRIVE WITHIN A PANEL TO OBTAIN THE MAXIMUM SURROUNDING AIR TEMPERATURE RATING OF 122F(50C). REMOVING THESE COVERS RESULTS IN AN ENCLOSURE RATING OF IP00.

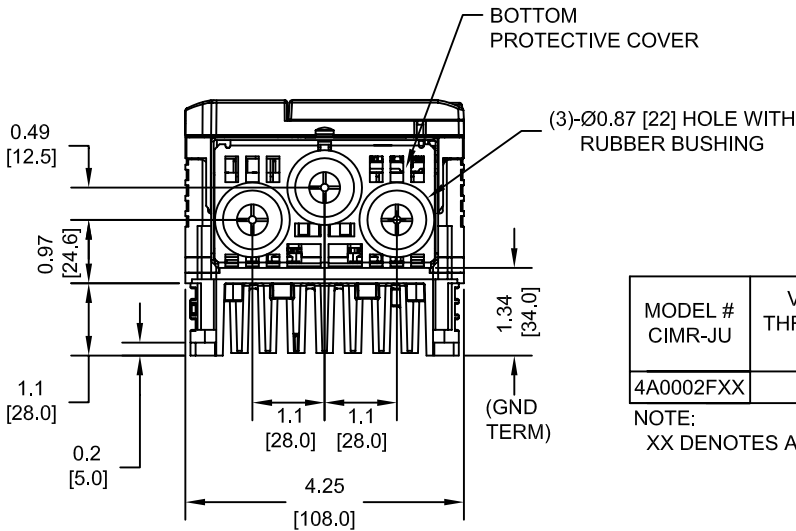
NATURAL CONVECTION COOLING



TOP PROTECTIVE COVER



BOTTOM PROTECTIVE COVER



| MODEL # | VOLTAGE THREE PHASE (VAC) | OUTPUT CURRENT (A) | | WEIGHT LBS (Kg) | HEAT LOSS (W) | | | | | |
|-----------|---------------------------|--------------------|-----|-----------------|---------------|------|------|--------------|------|------|
| | | ND | HD | | ND (Fc=2kHz) | | | HD (Fc=8kHz) | | |
| CIMR-JU | | | | | INT | EXT | TOT | INT | EXT | TOT |
| 4A0002FXX | 380/480 | 2.1 | 1.8 | 3.1 (1.4) | 13.9 | 18.5 | 32.4 | 14.8 | 28.9 | 43.7 |

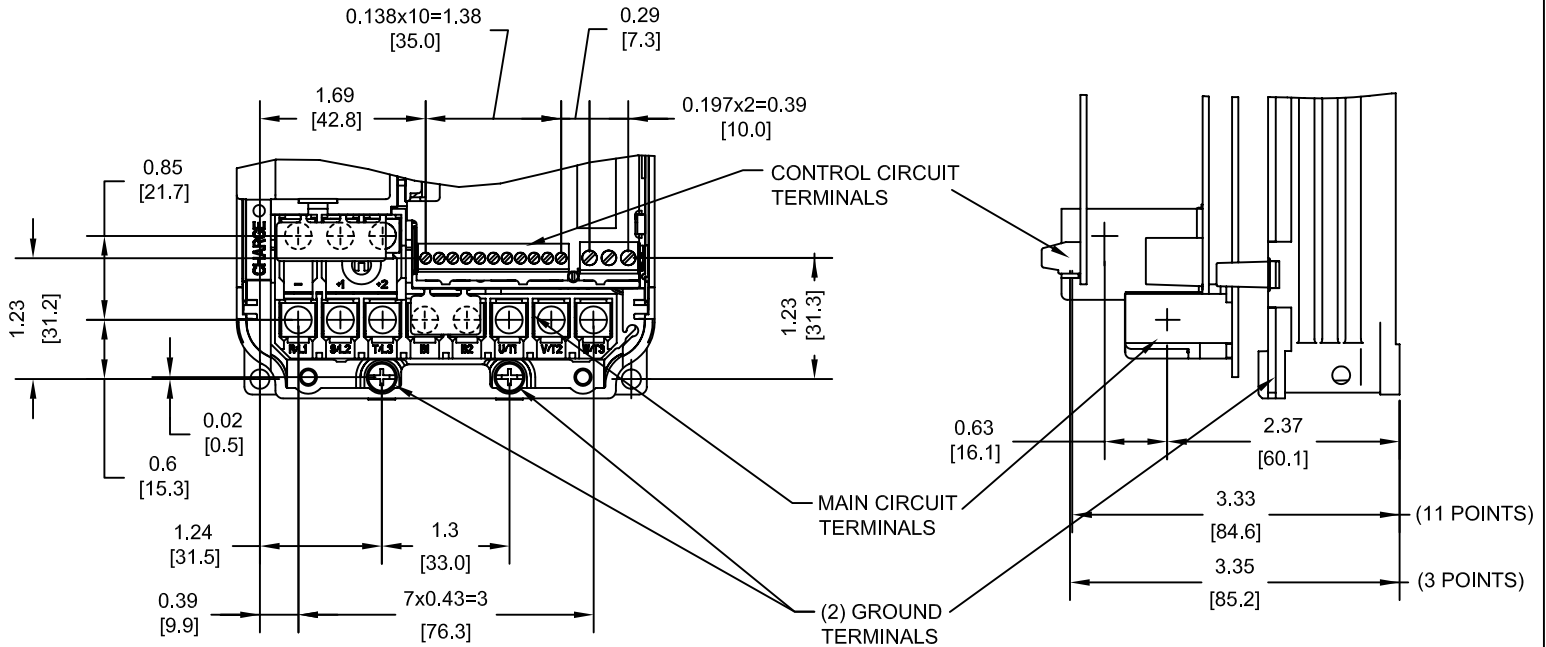
NOTE:
 XX DENOTES AA-ZZ

INT=INTERNAL COMPONENTS
 EXT=EXTERNAL HEATSINK
 TOT=TOTAL

FOR ADDITIONAL DETAILS AND SPECIFICATIONS, CONSULT MANUAL

| | | | | | |
|--------------------------|------------|--|---|--|--|
| TOLERANCES / REFERENCES: | | <p>YASKAWA The Drive for Quality™</p> <p>THIS DOCUMENT AND INFORMATION CONTAINED IN IT ARE CONFIDENTIAL, AND CANNOT BE COPIED OR DISCLOSED IN WHOLE OR IN PART WITHOUT THE EXPRESS WRITTEN CONSENT OF YASKAWA ELECTRIC AMERICA INC.</p> | DRAWN: J. MATTAS CHECKED: J. PIOTROWSKI TECH: J. CAIRO APPROVED: T. SASADA ORIGINAL DESIGN: - | DATE: 11-20-08 DATE: 4-16-09 DATE: 5-11-09 DATE: 5-14-09 DATE: - | TITLE: J1000 DIMENSION DRAWING FRAME SIZE 6 NEMA TYPE 1 ENCLOSURE 4A0002F |
| UNITS: IN[mm] | SCALE: 1:3 | | SIZE: A REVISION: R00 DRAWING #: DD.J1K.FR6.N1 | PAGE: 1 of 3 | |

TERMINAL AND WIRING DETAILS (SCALE 1:2)



TERMINAL AND WIRE SPECIFICATIONS FOR
MAIN CIRCUIT AND GROUND

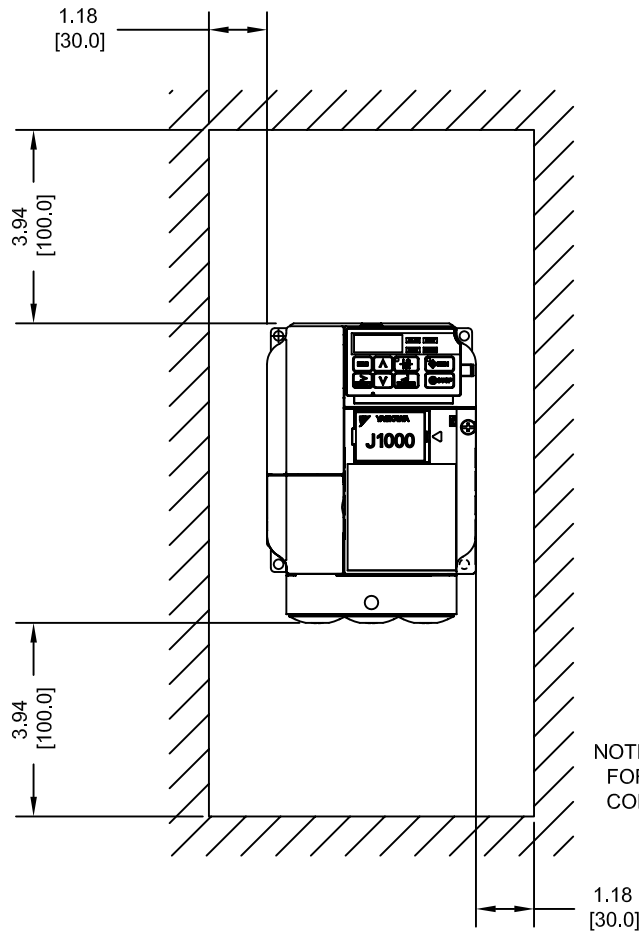
| MODEL # | TERMINAL SCREW | CLAMPING TORQUE lb.in.(N.m.) | WIRE RANGE AWG(mm ²) |
|---------|----------------|---------------------------------|-------------------------------------|
| CIMR-JU | M4 | 10.6 TO 13.3 (1.2 TO 1.5) | 22-10 (0.33-5.5) |

NOTE: RATINGS APPLY TO BOTH FACTORY AND FIELD WIRING
REFER TO APPLICABLE CODES FOR PROPER WIRE TYPE AND SIZE

FOR ADDITIONAL DETAILS AND SPECIFICATIONS, CONSULT MANUAL

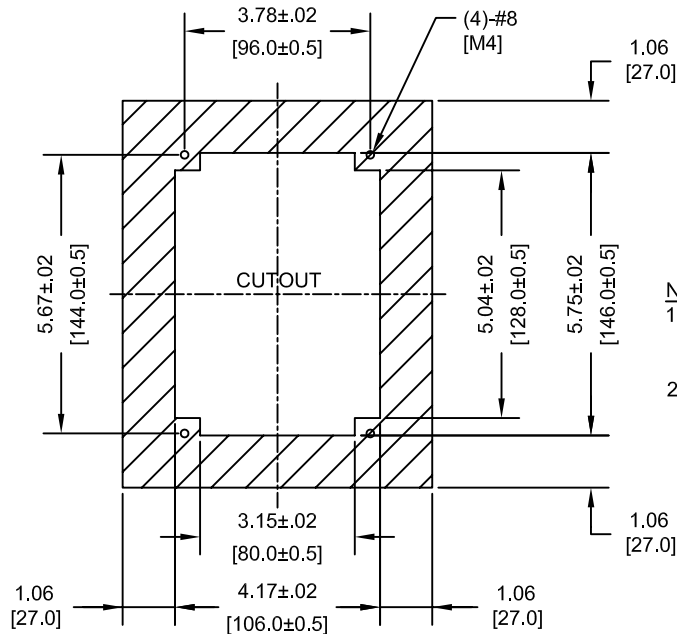
| | | | | | | |
|--------------------------|-------------------|---|--|--|---|--|
| TOLERANCES / REFERENCES: | | <p>THIS DOCUMENT AND INFORMATION CONTAINED IN IT ARE CONFIDENTIAL, AND CANNOT BE COPIED OR DISCLOSED IN WHOLE OR IN PART WITHOUT THE EXPRESS WRITTEN CONSENT OF YASKAWA ELECTRIC AMERICA INC.</p> | DRAWN: J. MATTAS CHECKED: J. PIOTROWSKI TECH: J. CAIRO APPROVED: T. SASADA ORIGINAL DESIGN: - | DATE 11-20-08 DATE 4-16-09 DATE 5-11-09 DATE 5-14-09 DATE - | TITLE: J1000 DIMENSION DRAWING FRAME SIZE 6 NEMA TYPE 1 ENCLOSURE 4A0002F | |
| UNITS: IN[mm] | SCALE: BY VIEW | | SIZE A | REVISION R00 | PAGE 2 of 3 | |
| | | | DRAWING #: DD.J1K.FR6.N1 | | | |
| | | | | | | |

MINIMUM INSTALLATION CLEARANCES (SCALE 1:4)



NOTE:
FOR SIDE-BY-SIDE MOUNTING
CONSULT MANUAL

PANEL CUTOUT FOR EXTERNAL HEATSINK
MOUNTING CONFIGURATION (SCALE 1:4)



NOTES:
1. EXTERNAL HEATSINK
CONFIGURATION REQUIRES
MOUNTING KIT
2. EXPOSED HEATSINK
RECOMMENDED CLEARANCE
D=1.57" MINUS PANEL THICKNESS

| | | | | | | |
|--------------------------|-------------------|--|---------------------------|-------------------|---|-----------------|
| TOLERANCES / REFERENCES: | | <p>YASKAWA The Drive for Quality™</p> <p>THIS DOCUMENT AND INFORMATION CONTAINED IN IT ARE CONFIDENTIAL, AND CANNOT BE COPIED OR DISCLOSED IN WHOLE OR IN PART WITHOUT THE EXPRESS WRITTEN CONSENT OF YASKAWA ELECTRIC AMERICA INC.</p> | DRAWN: J. MATTAS | DATE: 11-20-08 | TITLE: J1000 DIMENSION DRAWING FRAME SIZE 6 NEMA TYPE 1 ENCLOSURE 4A0002F | |
| | | | CHECKED: J. PIOTROWSKI | DATE: 4-16-09 | | |
| | | | TECH: J. CAIRO | DATE: 5-11-09 | | |
| | | | APPROVED: T. SASADA | DATE: 5-14-09 | | |
| UNITS: IN[mm] | SCALE: BY VIEW | ORIGINAL DESIGN: - | DATE: - | SIZE: A | REVISION: R00 | PAGE: 3 of 3 |
| | | | DRAWING #: | | DD.J1K.FR6.N1 | |