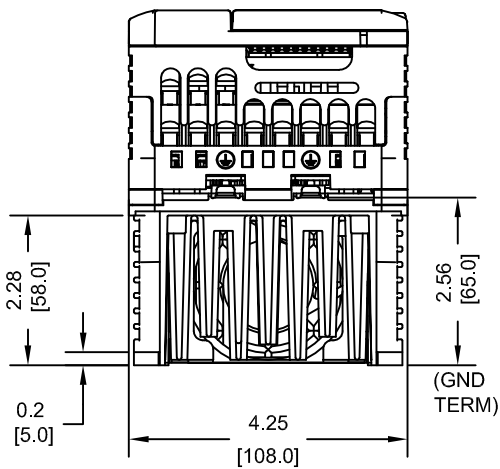
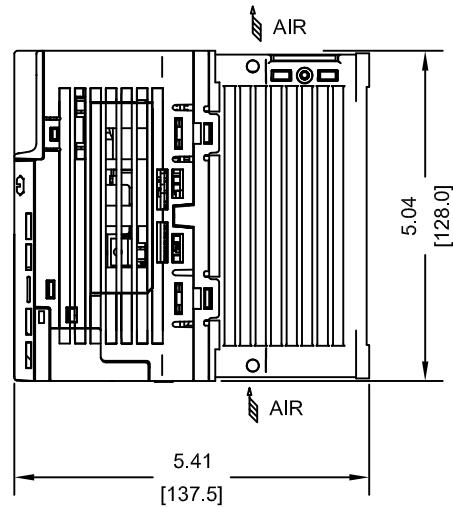
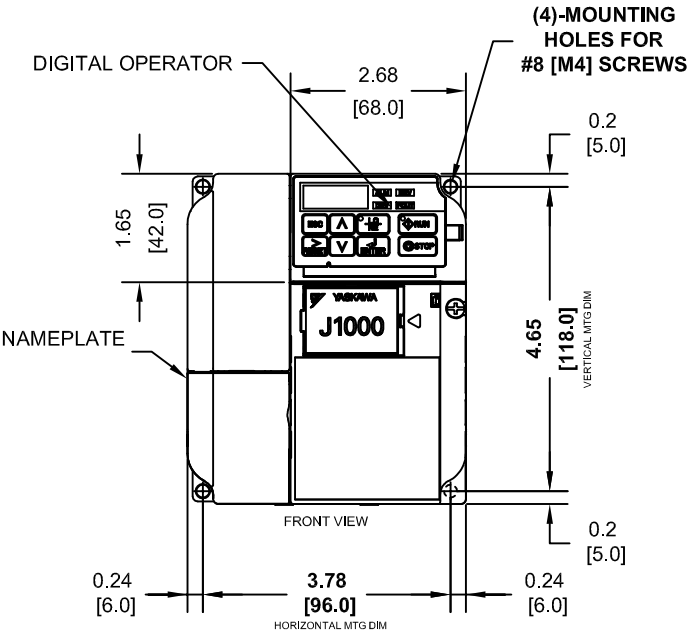
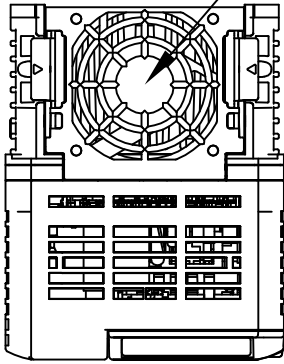


2A0012B: COOLING FAN  
 BA0006B: NATURAL CONVECTION  
 4A0004B: NATURAL CONVECTION



MODEL # CIMR-JU	VOLTAGE (VAC)	OUTPUT CURRENT (A)		WEIGHT LBS (Kg)	HEAT LOSS (W)					
					ND (Fc=2kHz)			HD (Fc=8kHz)		
		ND	HD		INT	EXT	TOT	INT	EXT	TOT
BA0006BXX	208/240 SINGLE PHASE	6.0	5.0	3.8 (1.7)	19.4	30.1	49.5	16.8	33.7	50.5
2A0012BXX	208/240 THREE PHASE	12.0	11.0	3.8 (1.7)	30.4	61.3	91.7	29.9	70.7	100.6
4A0004BXX	380/480 THREE PHASE	4.1	3.4	3.8 (1.7)	16.8	30.5	47.3	17.9	42.3	60.2

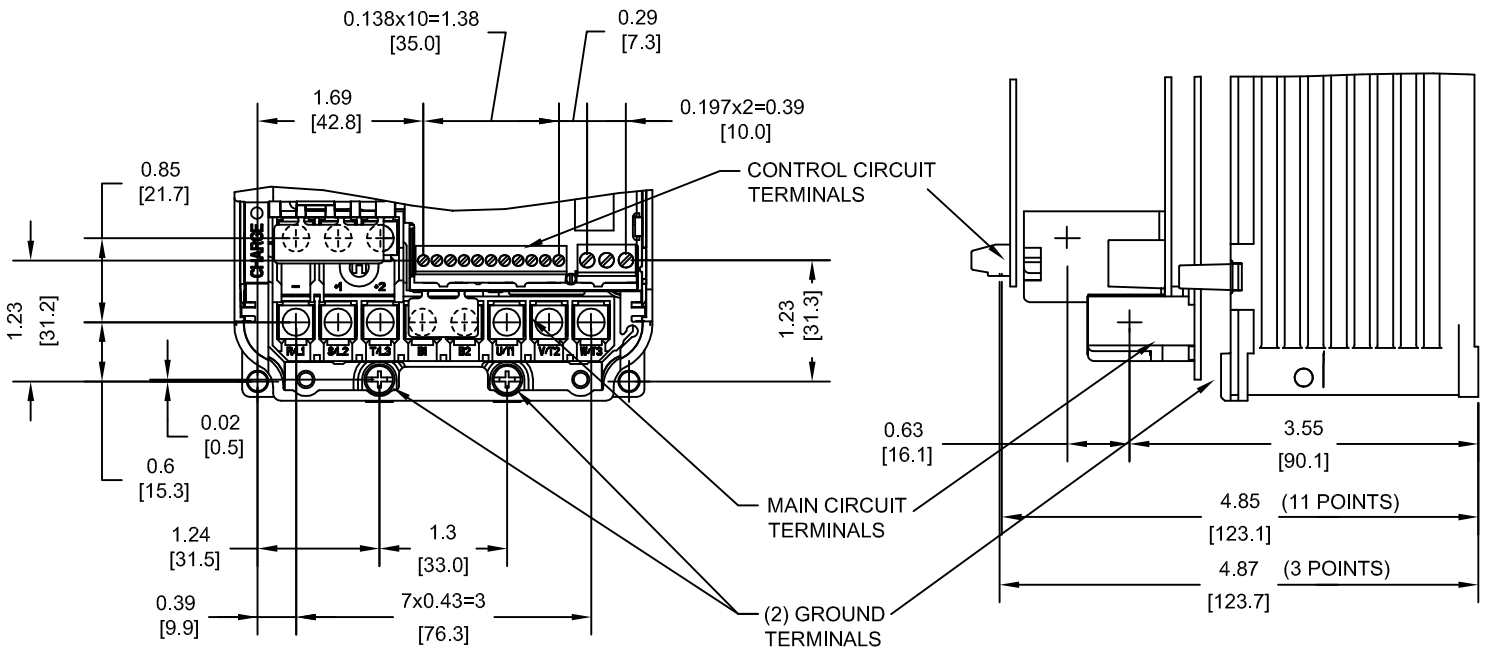
NOTE:  
 XX DENOTES AA-ZZ

INT=INTERNAL COMPONENTS  
 EXT=EXTERNAL HEATSINK  
 TOT=TOTAL

FOR ADDITIONAL DETAILS AND SPECIFICATIONS, CONSULT MANUAL

TOLERANCES / REFERENCES:		<p><b>YASKAWA</b> The Drive for Quality™</p> <p>THIS DOCUMENT AND INFORMATION CONTAINED IN IT ARE CONFIDENTIAL, AND CANNOT BE COPIED OR DISCLOSED IN WHOLE OR IN PART WITHOUT THE EXPRESS WRITTEN CONSENT OF YASKAWA ELECTRIC AMERICA INC.</p>	DRAWN: J. MATTAS CHECKED: J. PIOTROWSKI TECH: J. CAIRO APPROVED: T. SASADA ORIGINAL DESIGN: -	DATE: 7-30-08 DATE: 4-16-09 DATE: 5-11-09 DATE: 5-14-09 DATE: -	TITLE: J1000 DIMENSION DRAWING FRAME SIZE 8 OPEN ENCLOSURE (IP20 RATING) BA0006B, 2A0012B & 4A0004B
UNITS: IN [mm]	SCALE: 1:3		SIZE: A REVISION: R00 PAGE: 1 of 3	DRAWING #: <b>DD.J1K.FR8.IP20</b>	

TERMINAL AND WIRING DETAILS (SCALE 1:2)



TERMINAL AND WIRE SPECIFICATIONS FOR  
 MAIN CIRCUIT AND GROUND

MODEL #	TERMINAL SCREW	CLAMPING TORQUE lb.in.(N.m.)	WIRE RANGE AWG(mm <sup>2</sup> )
BA0006B	M4	10.6 TO 13.3 (1.2 TO 1.5)	22-10 (0.33-5.5)
2A0012B	M4	10.6 TO 13.3 (1.2 TO 1.5)	22-10 (0.33-5.5)
4A0004B	M4	10.6 TO 13.3 (1.2 TO 1.5)	22-10 (0.33-5.5)

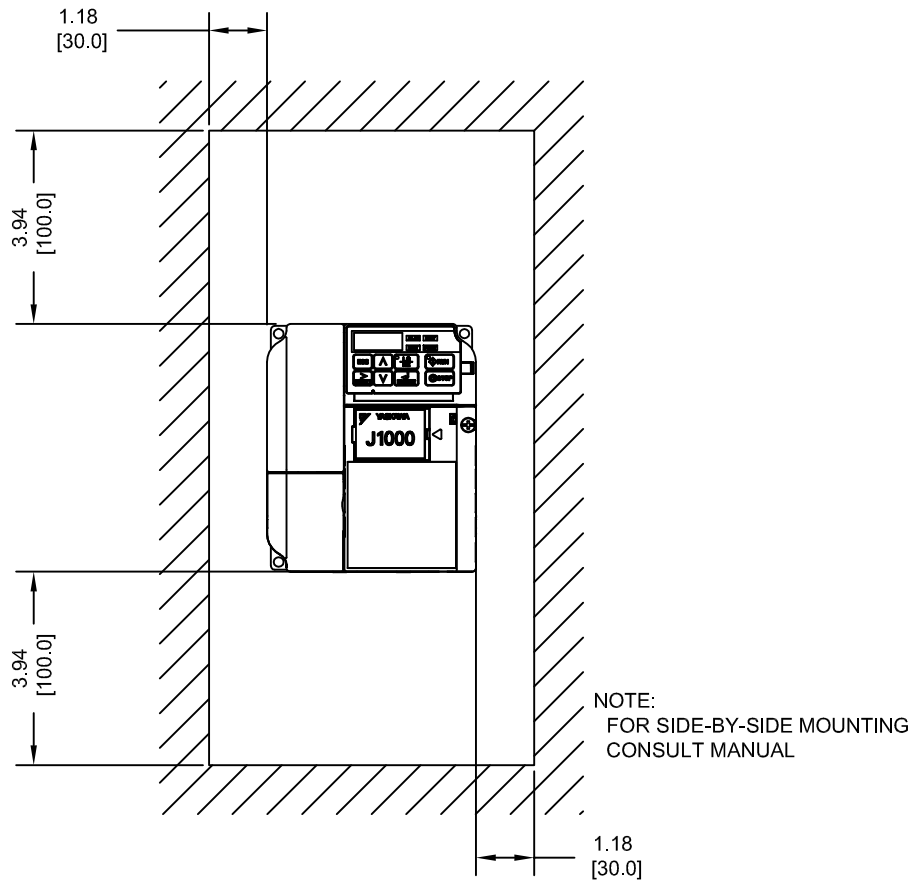
NOTE: RATINGS APPLY TO BOTH FACTORY AND FIELD WIRING  
 REFER TO APPLICABLE CODES FOR PROPER WIRE TYPE AND SIZE

FOR ADDITIONAL DETAILS AND SPECIFICATIONS, CONSULT MANUAL

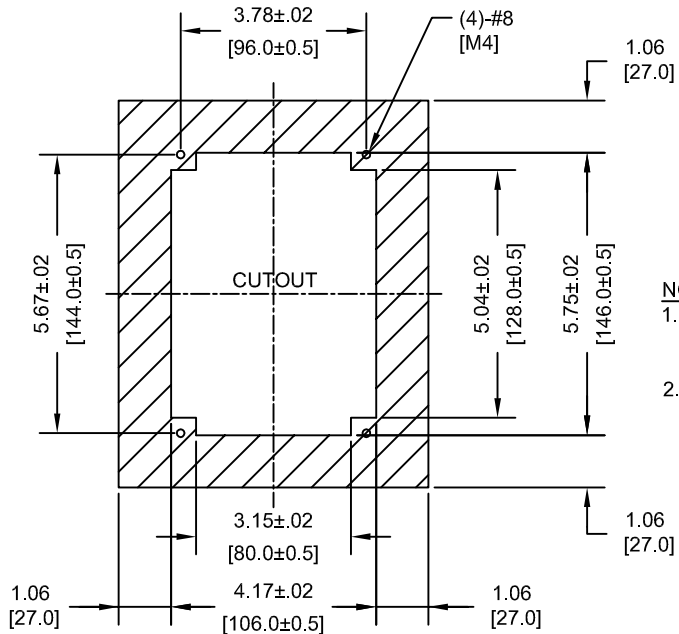
TOLERANCES / REFERENCES:		DRAWN: J. MATTAS	DATE: 7-30-08	TITLE: J1000 DIMENSION DRAWING	
		CHECKED: J. PIOTROWSKI	DATE: 4-16-09	FRAME SIZE 8	
		TECH: J. CAIRO	DATE: 5-11-09	OPEN ENCLOSURE (IP20 RATING)	
		APPROVED: T. SASADA	DATE: 5-14-09	SIZE: A	REVISION: R00
UNITS: IN [mm]	SCALE: BY VIEW	ORIGINAL DESIGN: -	DATE: -	DRAWING #: DD.J1K.FR8.IP20	

THIS DOCUMENT AND INFORMATION CONTAINED  
 IN IT ARE CONFIDENTIAL, AND CANNOT BE  
 COPIED OR DISCLOSED IN WHOLE OR IN PART  
 WITHOUT THE EXPRESS WRITTEN CONSENT  
 OF YASKAWA ELECTRIC AMERICA INC.

MINIMUM INSTALLATION CLEARANCES (SCALE 1:4)



PANEL CUTOUT FOR EXTERNAL HEATSINK MOUNTING CONFIGURATION (SCALE 1:4)



- NOTES:
- EXTERNAL HEATSINK CONFIGURATION REQUIRES MOUNTING KIT
  - EXPOSED HEATSINK RECOMMENDED CLEARANCE D=2.76" MINUS PANEL THICKNESS

TOLERANCES / REFERENCES:		<p>THIS DOCUMENT AND INFORMATION CONTAINED IN IT ARE CONFIDENTIAL, AND CANNOT BE COPIED OR DISCLOSED IN WHOLE OR IN PART WITHOUT THE EXPRESS WRITTEN CONSENT OF YASKAWA ELECTRIC AMERICA INC.</p>	DRAWN: J. MATTAS CHECKED: J. PIOTROWSKI TECH: J. CAIRO APPROVED: T. SASADA ORIGINAL DESIGN: -	DATE 7-30-08 DATE 4-16-09 DATE 5-11-09 DATE 5-14-09 DATE -	TITLE: J1000 DIMENSION DRAWING FRAME SIZE 8 OPEN ENCLOSURE (IP20 RATING) BA0006B, 2A0012B & 4A0004B
UNITS: IN [mm]	SCALE: BY VIEW		SIZE A	REVISION R00	PAGE 3 of 3
			DRAWING #: <b>DD.J1K.FR8.IP20</b>		