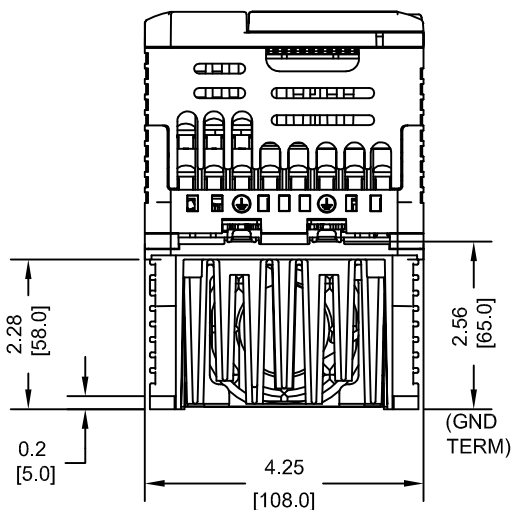
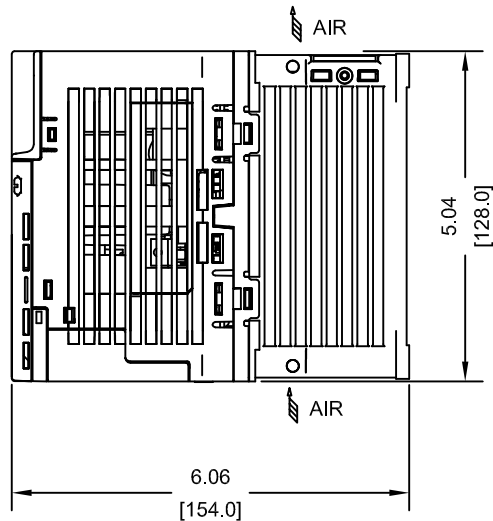
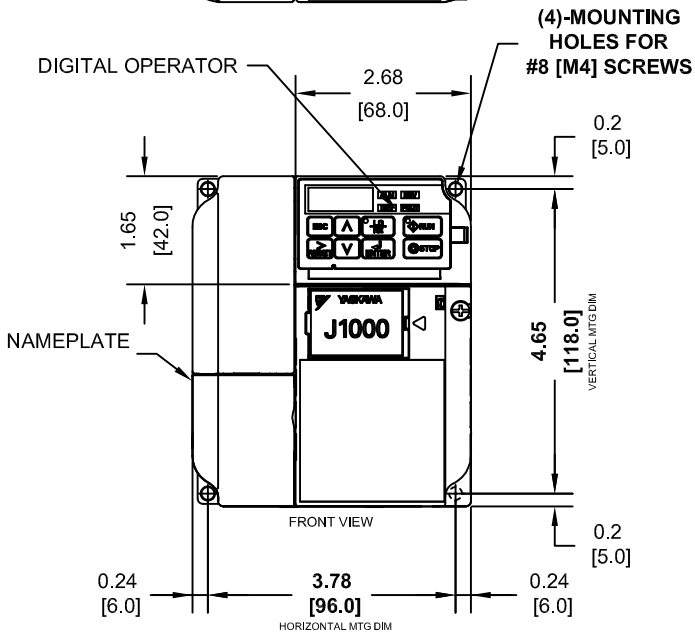


COOLING FAN



MODEL # CIMR-JU	VOLTAGE THREE PHASE (VAC)	OUTPUT CURRENT (A)		WEIGHT LBS (Kg)	HEAT LOSS (W)					
		ND	HD		ND (Fc=2kHz)			HD (Fc=8kHz)		
					INT	EXT	TOT	INT	EXT	TOT
4A0005BXX	380/480	5.4	4.8	3.8 (1.7)	21.8	44.5	66.3	26.2	70.7	96.9
4A0007BXX		6.9	5.5	3.8 (1.7)	28.4	58.5	86.9	30.7	81.0	111.7
4A0009BXX		8.8	7.2	3.8 (1.7)	31.4	63.7	95.1	32.9	84.6	117.5

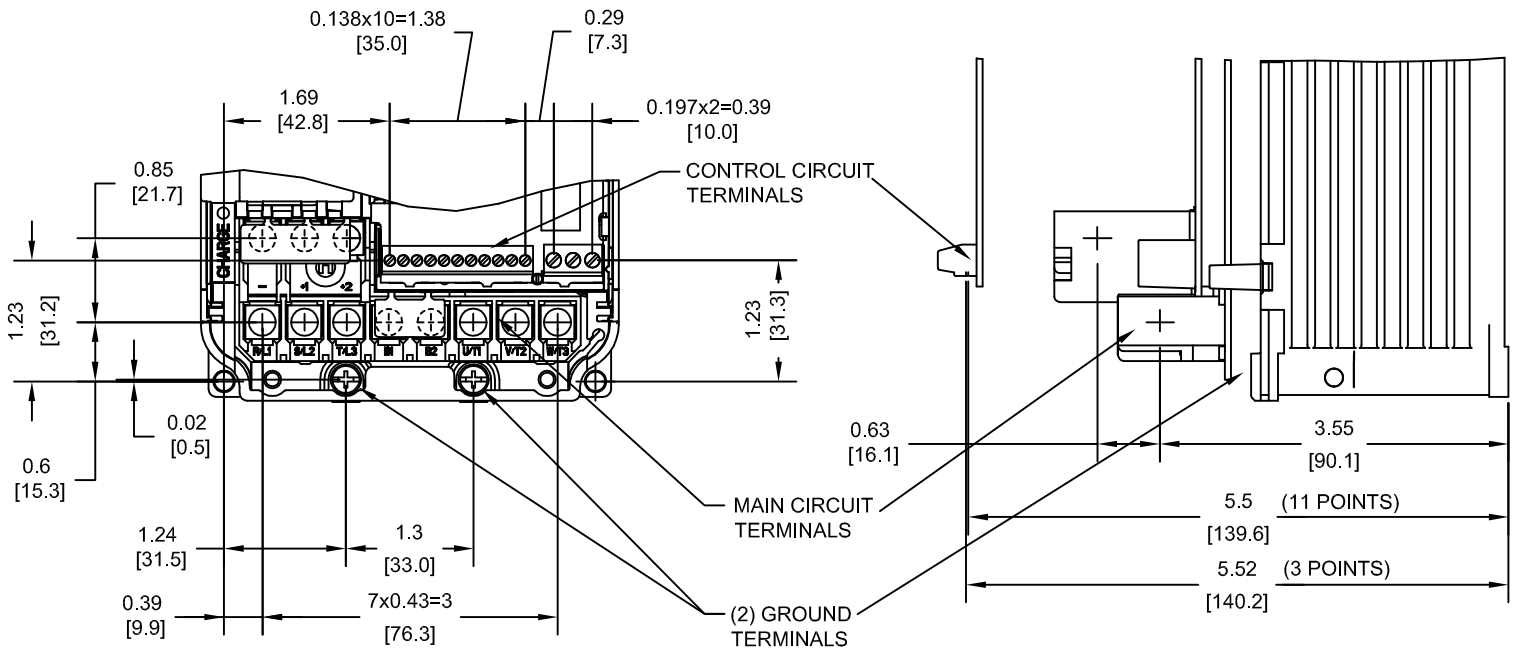
NOTE:
XX DENOTES AA-ZZ

INT=INTERNAL COMPONENTS
EXT=EXTERNAL HEATSINK
TOT=TOTAL

FOR ADDITIONAL DETAILS AND SPECIFICATIONS, CONSULT MANUAL

TOLERANCES / REFERENCES:		<p>YASKAWA The Drive for Quality™</p> <p>THIS DOCUMENT AND INFORMATION CONTAINED IN IT ARE CONFIDENTIAL, AND CANNOT BE COPIED OR DISCLOSED IN WHOLE OR IN PART WITHOUT THE EXPRESS WRITTEN CONSENT OF YASKAWA ELECTRIC AMERICA INC.</p>	DRAWN: J. MATTAS DATE: 7-31-08	TITLE: J1000 DIMENSION DRAWING FRAME SIZE 9 OPEN ENCLOSURE (IP20 RATING) 4A0005B, 4A0007B & 4A0009B
UNITS: IN [mm]	SCALE: 1:3		CHECKED: J. PIOTROWSKI DATE: 4-16-09	DATE: 7-31-08
			TECH: J. CAIRO DATE: 5-11-09	DATE: 7-31-08
			APPROVED: T. SASADA DATE: 5-14-09	DATE: 7-31-08
		ORIGINAL DESIGN:	DATE:	SIZE: A REVISION: R00 PAGE: 1 of 3
				DRAWING #: DD.J1K.FR9.IP20

TERMINAL AND WIRING DETAILS (SCALE 1:2)



TERMINAL AND WIRE SPECIFICATIONS FOR
MAIN CIRCUIT AND GROUND

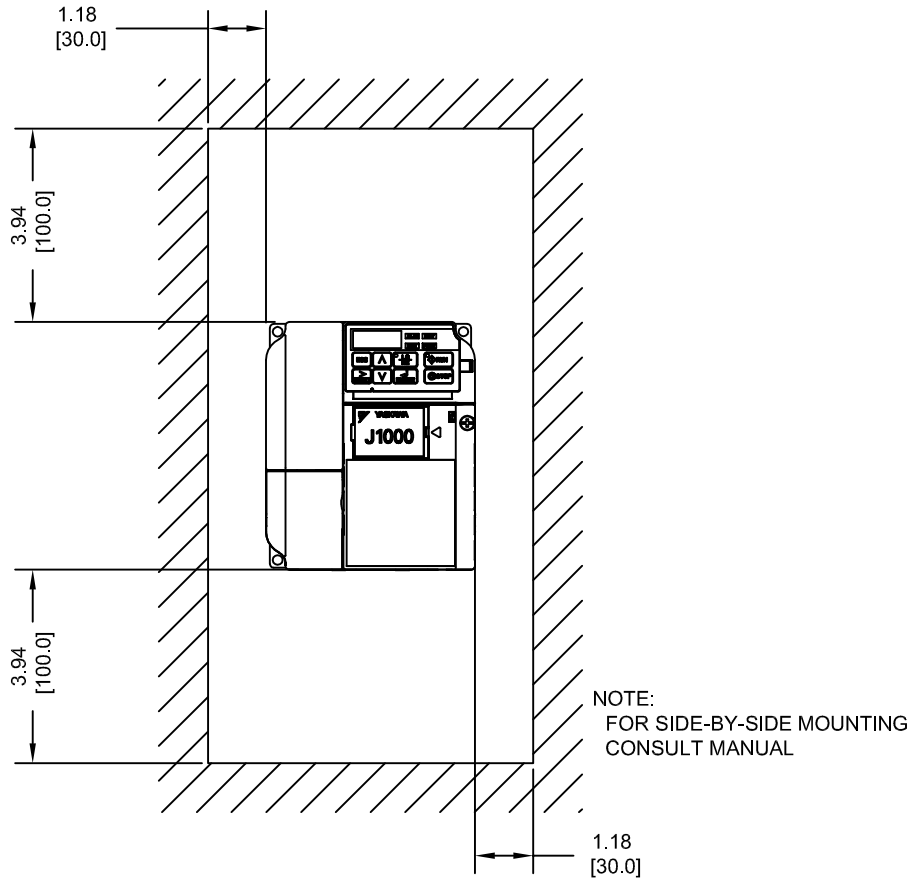
MODEL #	TERMINAL SCREW	CLAMPING TORQUE lb.in.(N.m.)	WIRE RANGE AWG(mm ²)
4A0005B	M4	10.6 TO 13.3 (1.2 TO 1.5)	22-10 (0.33-5.5)
4A0007B	M4	10.6 TO 13.3 (1.2 TO 1.5)	22-10 (0.33-5.5)
4A0009B	M4	10.6 TO 13.3 (1.2 TO 1.5)	22-10 (0.33-5.5)

NOTE: RATINGS APPLY TO BOTH FACTORY AND FIELD WIRING
REFER TO APPLICABLE CODES FOR PROPER WIRE TYPE AND SIZE

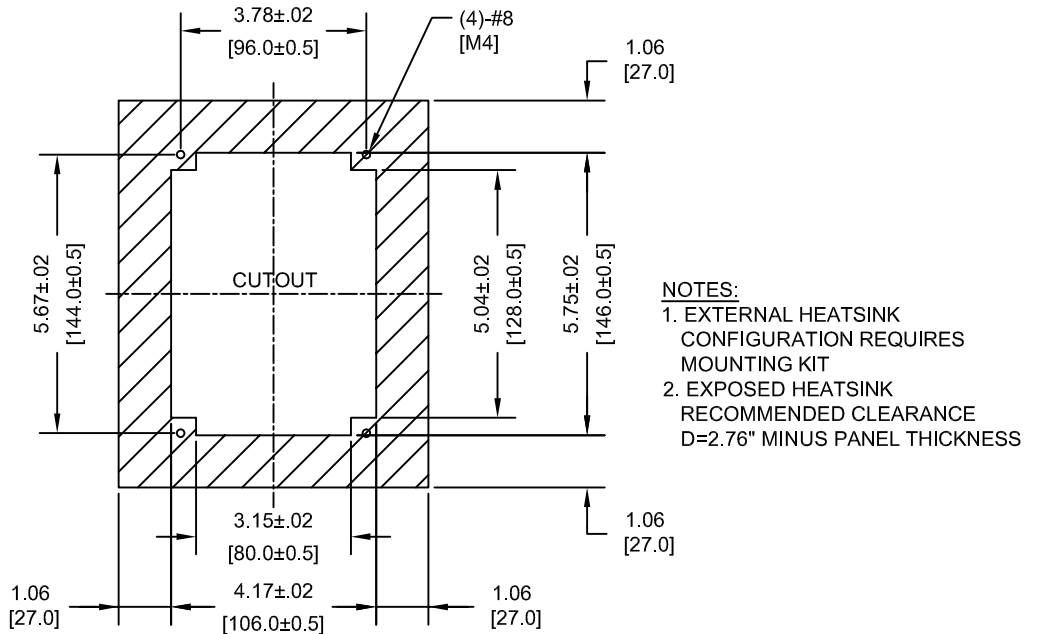
FOR ADDITIONAL DETAILS AND SPECIFICATIONS, CONSULT MANUAL

TOLERANCES / REFERENCES:		<p>THIS DOCUMENT AND INFORMATION CONTAINED IN IT ARE CONFIDENTIAL, AND CANNOT BE COPIED OR DISCLOSED IN WHOLE OR IN PART WITHOUT THE EXPRESS WRITTEN CONSENT OF YASKAWA ELECTRIC AMERICA INC.</p>	DRAWN: J. MATTAS DATE: 7-31-08	TITLE: J1000 DIMENSION DRAWING FRAME SIZE 9 OPEN ENCLOSURE (IP20 RATING) 4A0005B, 4A0007B & 4A0009B	
UNITS: IN [mm]			CHECKED: J. PIOTROWSKI DATE: 4-16-09	TECH: J. CAIRO DATE: 5-11-09	SIZE: A REVISION: R00 PAGE: 2 of 3
SCALE: BY VIEW			APPROVED: T. SASADA DATE: 5-14-09	ORIGINAL DESIGN: - DATE: -	DRAWING #: DD.J1K.FR9.IP20

MINIMUM INSTALLATION CLEARANCES (SCALE 1:4)



PANEL CUTOUT FOR EXTERNAL HEATSINK MOUNTING CONFIGURATION (SCALE 1:4)



TOLERANCES / REFERENCES:		<p>YASKAWA The Drive for Quality™</p>	DRAWN: J. MATTAS	DATE: 7-31-08	TITLE: J1000 DIMENSION DRAWING FRAME SIZE 9 OPEN ENCLOSURE (IP20 RATING) 4A0005B, 4A0007B & 4A0009B
UNITS: IN [mm]			CHECKED: J. PIOTROWSKI	DATE: 4-16-09	
SCALE: BY VIEW		THIS DOCUMENT AND INFORMATION CONTAINED IN IT ARE CONFIDENTIAL, AND CANNOT BE COPIED OR DISCLOSED IN WHOLE OR IN PART WITHOUT THE EXPRESS WRITTEN CONSENT OF YASKAWA ELECTRIC AMERICA INC.		TECH: J. CAIRO	DATE: 5-11-09
		APPROVED: T. SASADA	DATE: 5-14-09	SIZE: A	REVISION: R00
		ORIGINAL DESIGN: -	DATE: -	PAGE: 3 of 3	
		DRAWING #: DD.J1K.FR9.IP20			