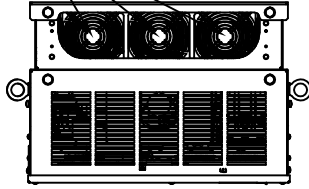
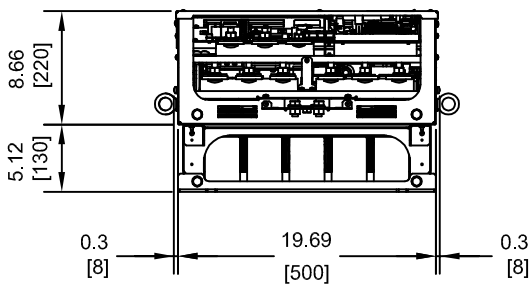
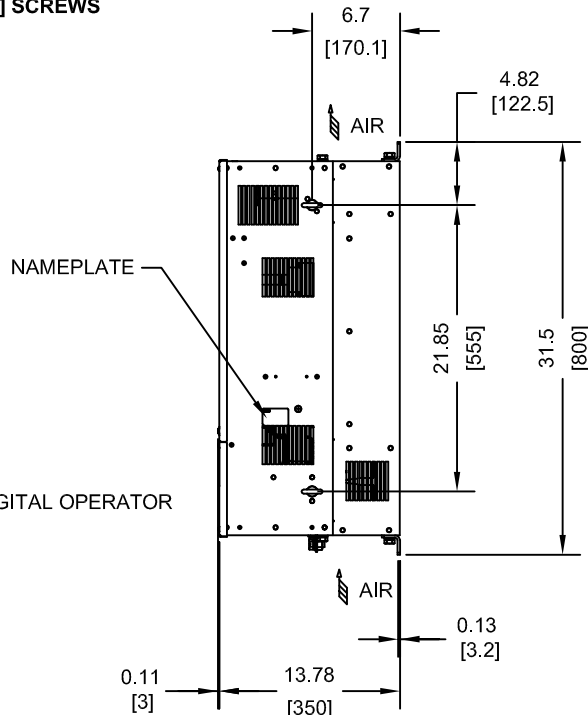
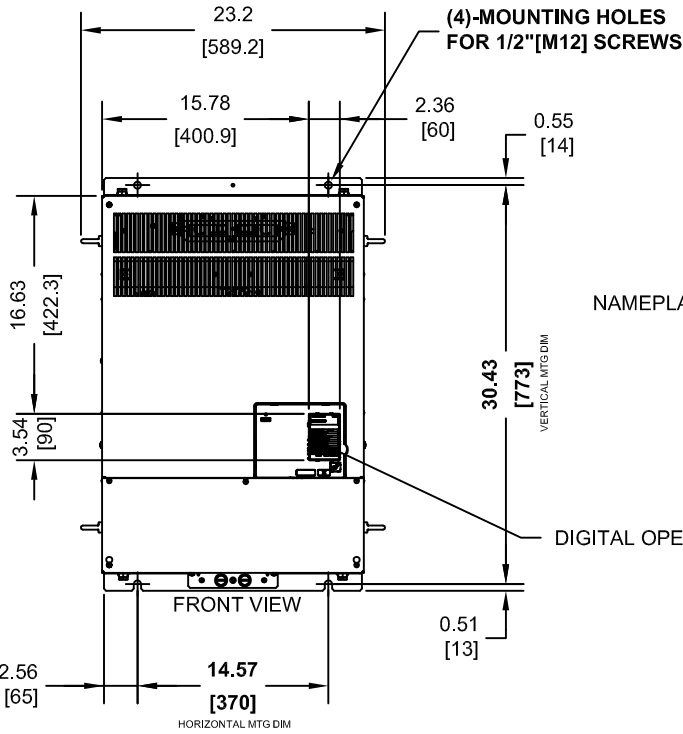
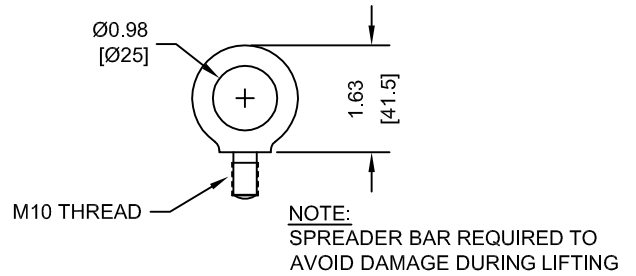


(3) EXTERNAL COOLING FANS



LIFTING AND EYEBOLT DETAILS



MODEL # CIMR-LE	VOLTAGE THREE-PHASE (VAC)	OUTPUT CURRENT (A) 3 MIN., 50% ED	WEIGHT LBS (Kg)	HEAT LOSS (W) Fc=5kHz		
				INT	EXT	TOT
2A0432AXX	200/240	432.5	216 (98)	783	2564	3347
4A0260AXX	380/480	260.0	211 (96)	715	2360	3075

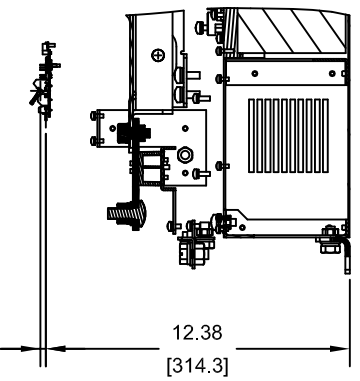
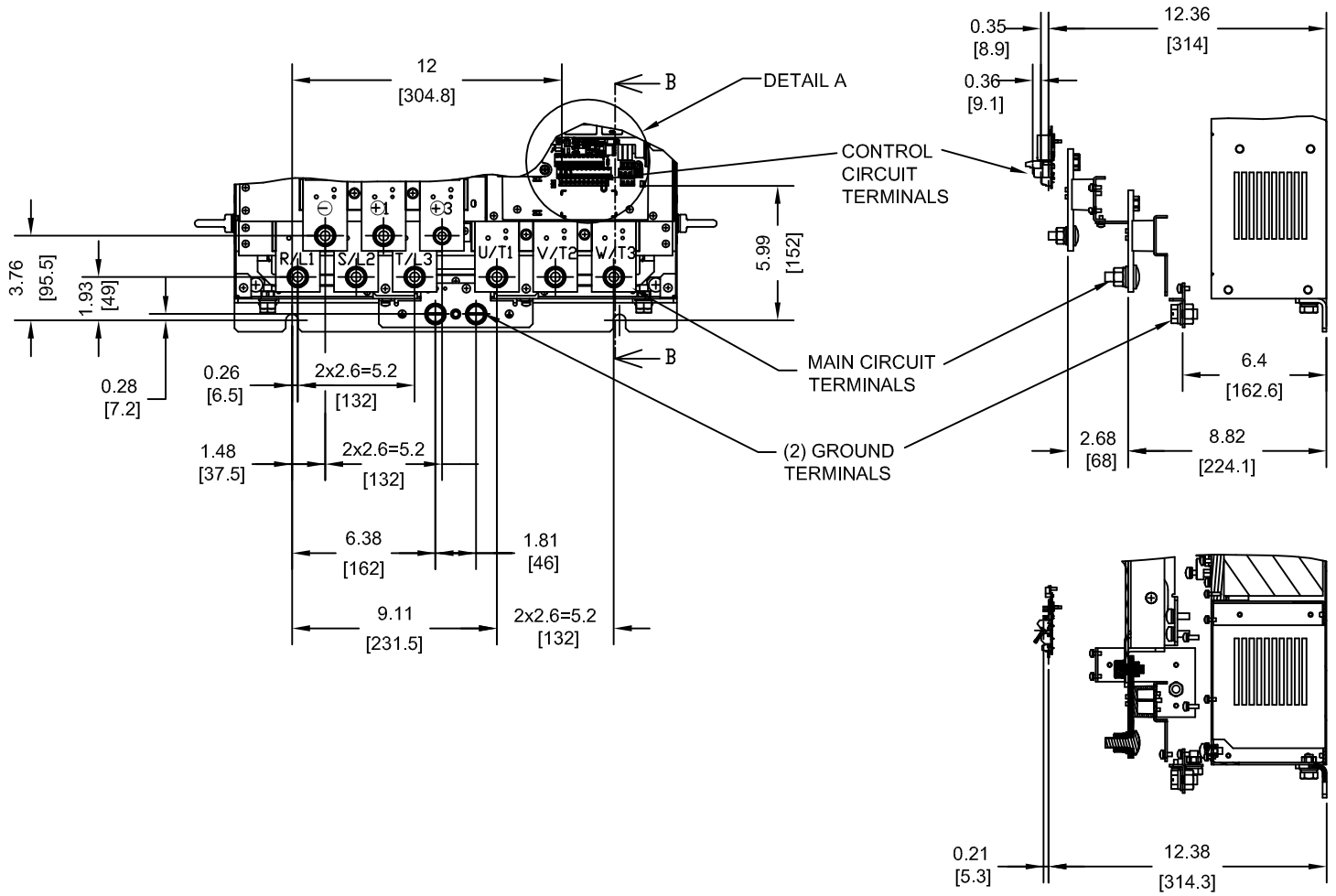
NOTE:
XX DENOTES AA-ZZ

INT=INTERNAL COMPONENTS
EXT=EXTERNAL HEATSINK
TOT=TOTAL

FOR ADDITIONAL DETAILS AND SPECIFICATIONS, CONSULT MANUAL

TOLERANCES / REFERENCES:		<p>THIS DOCUMENT AND INFORMATION CONTAINED IN IT ARE CONFIDENTIAL, AND CANNOT BE COPIED OR DISCLOSED IN WHOLE OR IN PART WITHOUT THE EXPRESS WRITTEN CONSENT OF YASKAWA AMERICA, INC.</p>	DRAWN: J. MATTAS DATE: 11-25-13	DATE: 11-25-13	TITLE: L1000E DIMENSION DRAWING FRAME SIZE 12 IP00 ENCLOSURE 2A0432 AND 4A0260
			CHECKED: J. PIOTROWSKI DATE: 11-24-13	DATE: 11-24-13	
			TECH: L. UDDIN DATE: 12-2-13	DATE: 12-2-13	
			APPROVED: J. CAIRO DATE: 12-21-13	DATE: 12-21-13	
UNITS: IN [mm]	SCALE: 1:15	ORIGINAL DESIGN: -	DATE: -	SIZE: A REVISION: R00 PAGE: 1 of 4	DRAWING #: DD.L1KE.FR12.IP00

TERMINAL AND WIRING DETAILS (SCALE 1:8)
LE2A0432 ONLY

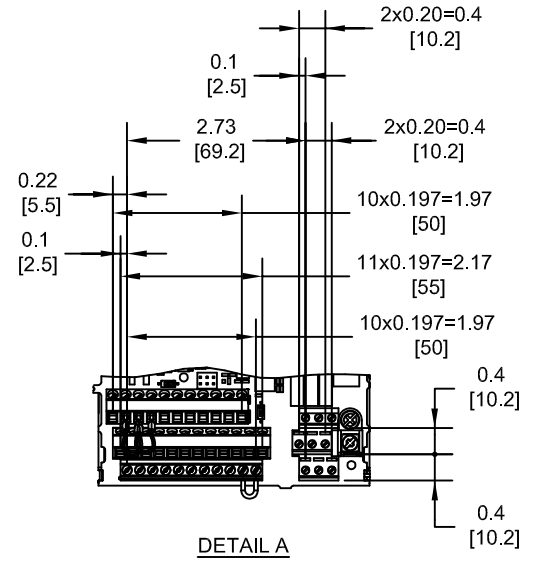


SECTION B-B

TERMINAL AND WIRE SPECIFICATIONS FOR
MAIN CIRCUIT AND GROUND

MODEL # CIMR-LE	TERMINAL SYMBOL	TERMINAL SCREW	CLAMPING TORQUE lb.in.(N.m.)
2A0432	R/L1, S/L2, T/L3	M12	283.2 TO 354.0 (32 TO 40)
	U/T1, V/T2, W/T3		
	⊖, ⊕1	M10	159.3 TO 203.6 (18 TO 23)
	⊕3		
	⊕		
		M12	283.2 TO 354.0 (32 TO 40)

NOTE: REFER TO APPLICABLE CODES FOR PROPER WIRE TYPE AND SIZE

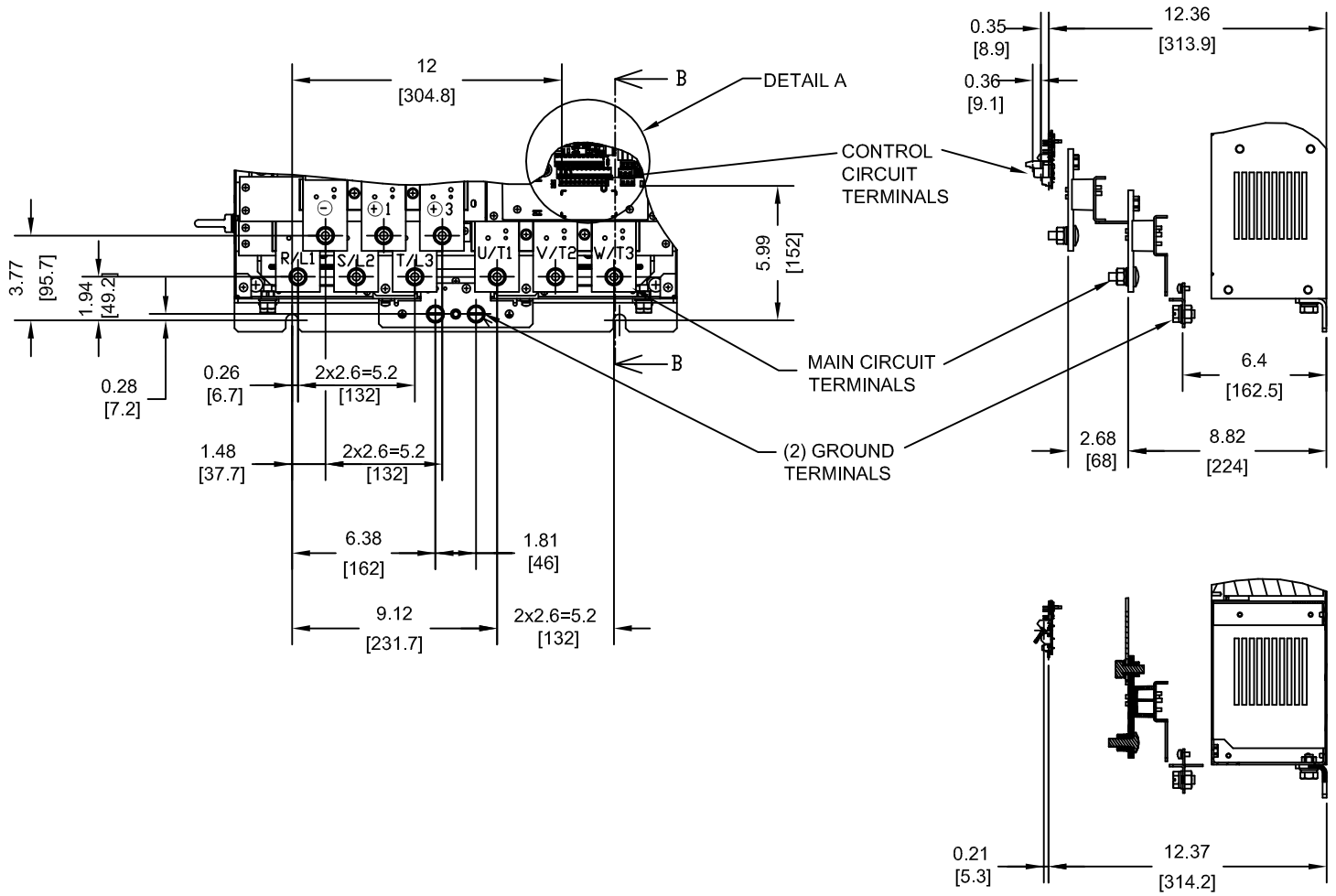


DETAIL A

FOR ADDITIONAL DETAILS AND SPECIFICATIONS, CONSULT MANUAL

TOLERANCES / REFERENCES:			DRAWN: J. MATTAS CHECKED: J. PIOTROWSKI TECH: L. UDDIN APPROVED: J. CAIRO ORIGINAL DESIGN: -	DATE: 11-25-13 DATE: 11-24-13 DATE: 12-2-13 DATE: 12-21-13 DATE: -	TITLE: L1000E DIMENSION DRAWING FRAME SIZE 12 IP00 ENCLOSURE 2A0432 AND 4A0260
UNITS: IN [mm]	SCALE: BY VIEW		THIS DOCUMENT AND INFORMATION CONTAINED IN IT ARE CONFIDENTIAL, AND CANNOT BE COPIED OR DISCLOSED IN WHOLE OR IN PART WITHOUT THE EXPRESS WRITTEN CONSENT OF YASKAWA AMERICA, INC.	SIZE: A REVISION: R00 PAGE: 2 of 4	DRAWING #: DD.L1KE.FR12.IP00

TERMINAL AND WIRING DETAILS (SCALE 1:8)
LE4A0260 ONLY

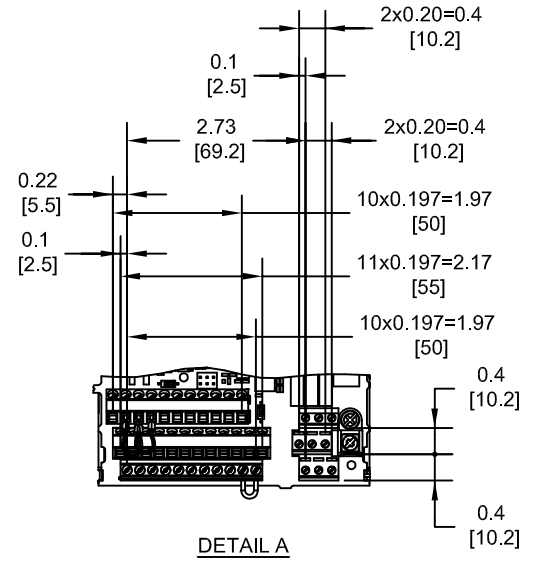


SECTION B-B

TERMINAL AND WIRE SPECIFICATIONS FOR
MAIN CIRCUIT AND GROUND

MODEL # CIMR-LE	TERMINAL SYMBOL	TERMINAL SCREW	CLAMPING TORQUE lb.in.(N.m.)
4A0260	R/L1, S/L2, T/L3	M10	159.3 TO 203.6 (18 TO 23)
	U/T1, V/T2, W/T3		
	⊖, ⊕1		
	⊕3	M10	
	⊕	M10	

NOTE: REFER TO APPLICABLE CODES FOR PROPER WIRE TYPE AND SIZE

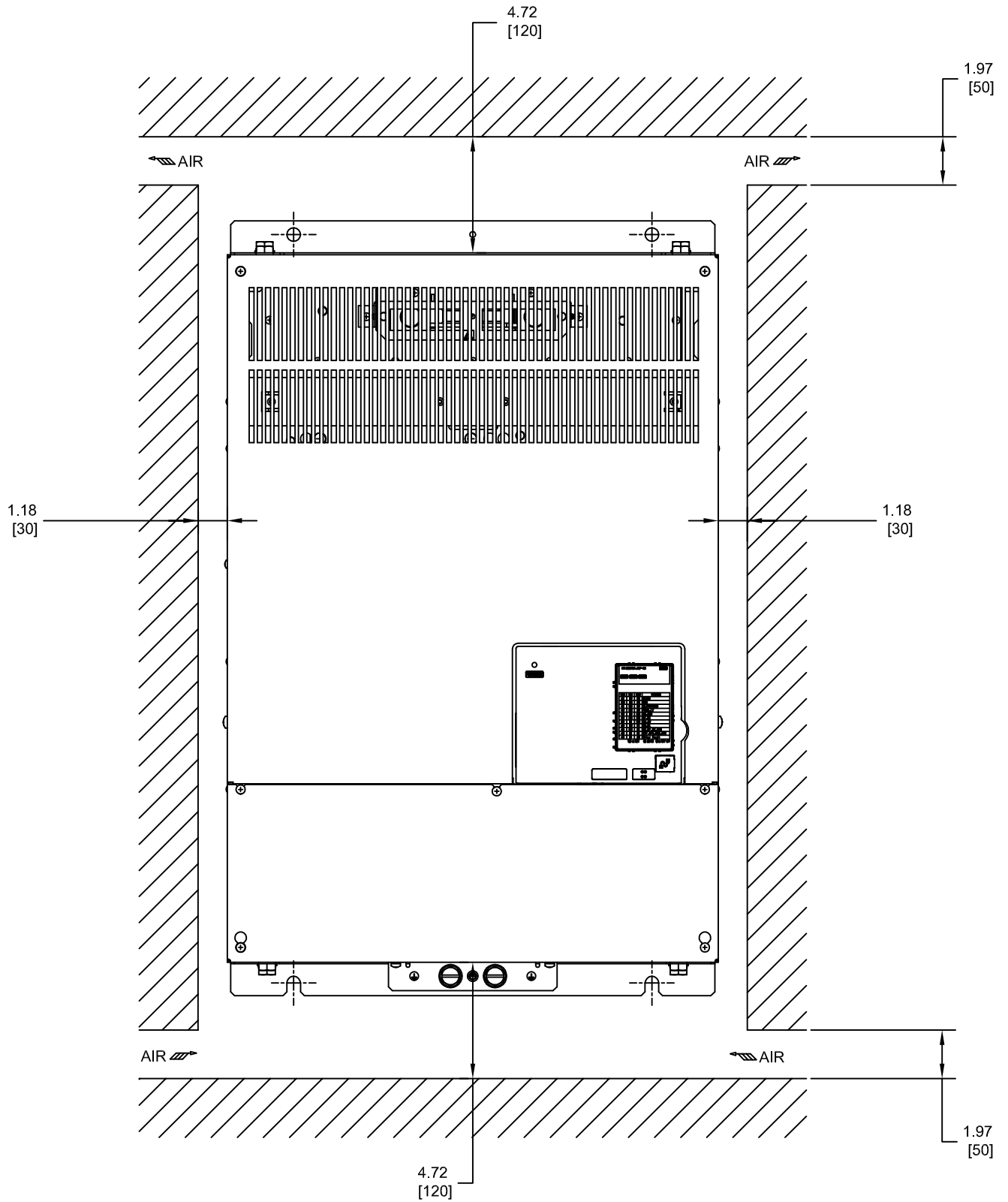


DETAIL A


FOR ADDITIONAL DETAILS AND SPECIFICATIONS, CONSULT MANUAL

TOLERANCES / REFERENCES:			DRAWN: J. MATTAS DATE: 11-25-13	TITLE: L1000E DIMENSION DRAWING FRAME SIZE 12 IP00 ENCLOSURE 2A0432 AND 4A0260
UNITS: IN [mm]	SCALE: BY VIEW		CHECKED: J. PIOTROWSKI DATE: 11-24-13	TECH: L. UDDIN DATE: 12-2-13
THIS DOCUMENT AND INFORMATION CONTAINED IN IT ARE CONFIDENTIAL, AND CANNOT BE COPIED OR DISCLOSED IN WHOLE OR IN PART WITHOUT THE EXPRESS WRITTEN CONSENT OF YASKAWA AMERICA, INC.		APPROVED: J. CAIRO DATE: 12-21-13	ORIGINAL DESIGN: - DATE: -	DRAWING #: DD.L1KE.FR12.IP00

MINIMUM INSTALLATION CLEARANCES (SCALE 1:6)



FOR ADDITIONAL DETAILS AND SPECIFICATIONS, CONSULT MANUAL

TOLERANCES / REFERENCES:		 THIS DOCUMENT AND INFORMATION CONTAINED IN IT ARE CONFIDENTIAL, AND CANNOT BE COPIED OR DISCLOSED IN WHOLE OR IN PART WITHOUT THE EXPRESS WRITTEN CONSENT OF YASKAWA AMERICA, INC.	DRAWN: J. MATTAS	DATE: 11-25-13	TITLE: L1000E DIMENSION DRAWING FRAME SIZE 12 IP00 ENCLOSURE 2A0432 AND 4A0260		
			CHECKED: J. PIOTROWSKI	DATE: 11-24-13			
			TECH: L. UDDIN	DATE: 12-2-13	SIZE: A	REVISION: R00	PAGE: 4 of 4
			APPROVED: J. CAIRO	DATE: 12-21-13	DRAWING #: DD.L1KE.FR12.IP00		
UNITS: IN [mm]	SCALE: BY VIEW	ORIGINAL DESIGN: -	DATE: -				