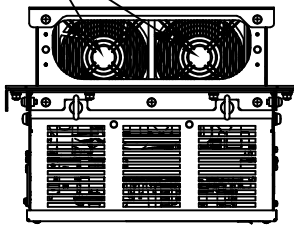
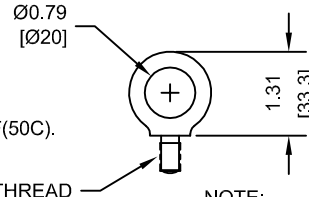


(2) EXTERNAL COOLING FANS

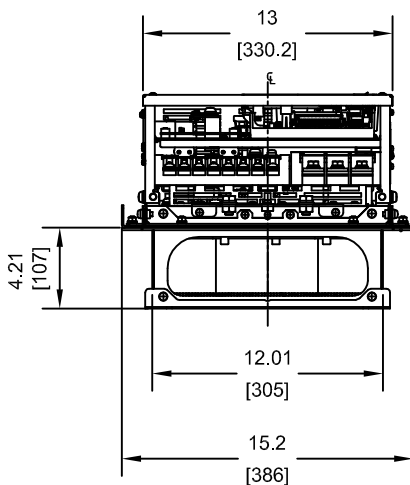
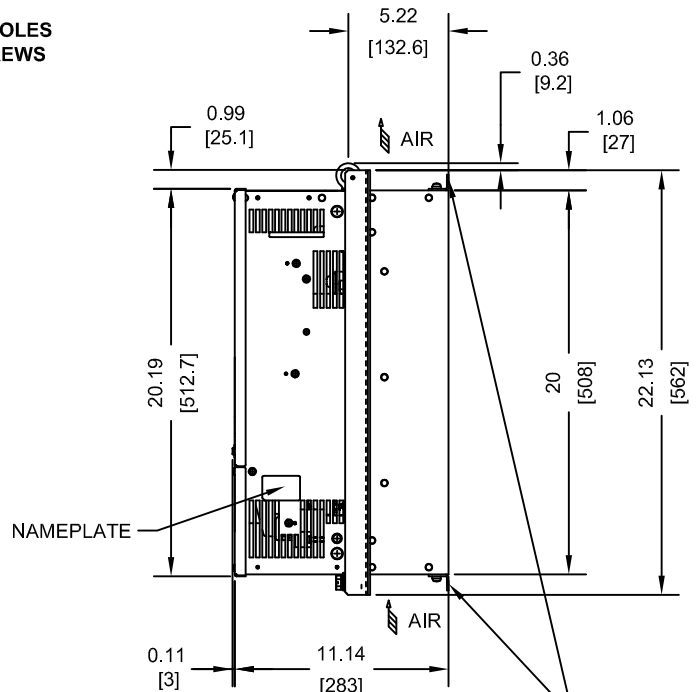
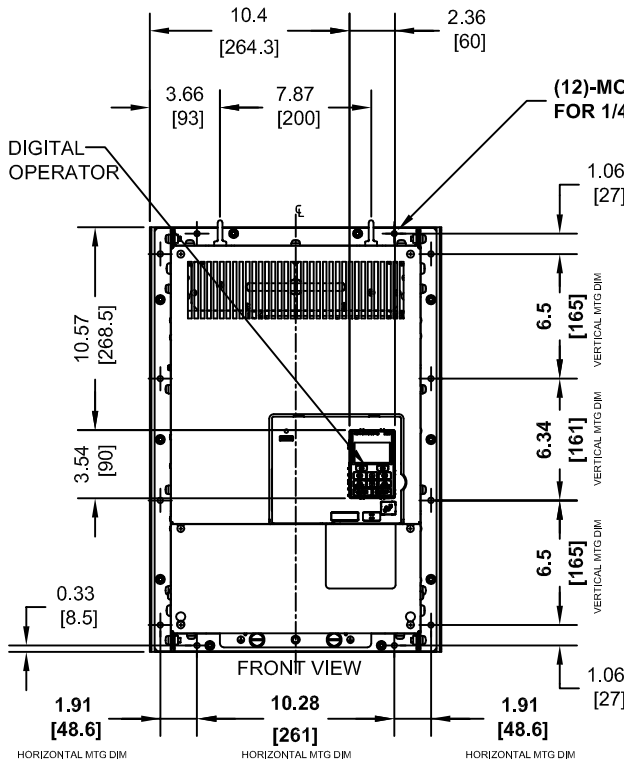


LIFTING AND EYEBOLT DETAILS



NOTE:
MAXIMUM SURROUNDING AIR
TEMPERATURE RATING IS 122F(50C).

NOTE:
SPREADER BAR REQUIRED TO
AVOID DAMAGE DURING LIFTING



MODEL # CIMR-PU	INPUT TYPE	VOLTAGE 3-PHASE (VAC)	OUTPUT CURRENT (A)	WEIGHT LBS (Kg)	HEAT LOSS (W) (Fc=2kHz)		
					INT	EXT	TOT
2A0169UXX	6 PULSE	200/240	169	90.2 (41)	380	1014	1394
2A0211UXX	6 PULSE		211	92.4 (42)	473	1218	1691
4A0139UXX	6 PULSE	380/480	139	99.0 (45)	534	1215	1749
4A0165UXX	6 PULSE		165	101.2 (46)	668	1557	2225
4T0139UXX	12 PULSE		139	85.8 (39)	487	1179	1666
4T0165UXX	12 PULSE	500/600	165	88.2 (40)	624	1520	2164
5A0062UXX	6 PULSE		62	99.0 (45)	279	791	1070
5A0077UXX	6 PULSE	500/600	77	99.0 (45)	329	959	1288
5A0099UXX	6 PULSE		99	99.0 (45)	412	1253	1665

NOTES:
XX DENOTES AA-ZZ

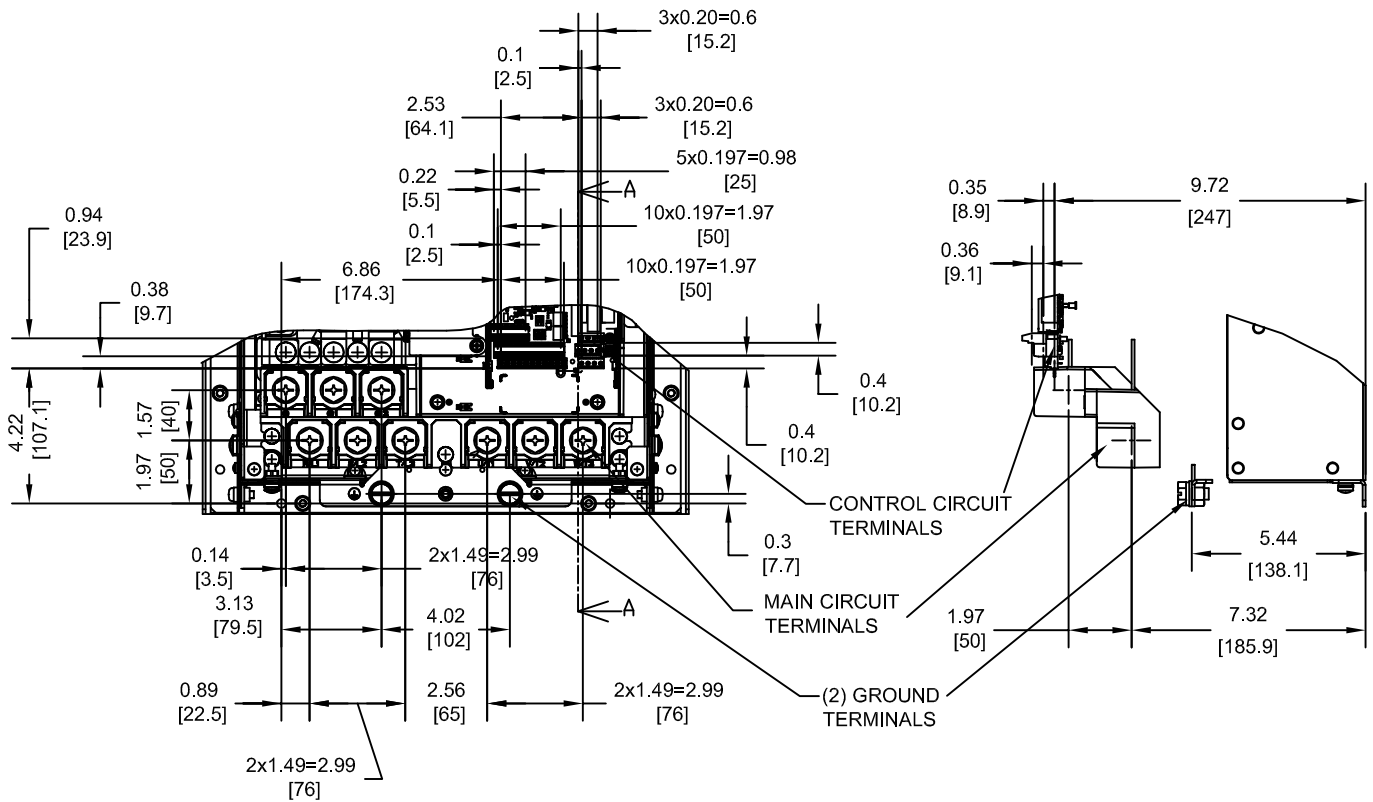
INT=INTERNAL COMPONENTS
EXT=EXTERNAL HEATSINK
TOT=TOTAL

FOR ADDITIONAL DETAILS AND SPECIFICATIONS, CONSULT MANUAL

TOLERANCES / REFERENCES:		DRAWN: J. MATTAS	DATE 11-12-12	TITLE: P1000 DIMENSION DRAWING
		CHECKED: J. PIOTROWSKI	DATE 1-18-13	FRAME SIZE 10 DESIGNED FOR IP54/TYPE 12 ENCLOSURES
UNITS: IN [mm]	SCALE: 1:10	TECH: J. BORJA	DATE 1-22-13	2A0169U-0211U, 4A0139U-0165U, 4T0139U-0165U, 5A0062U-0099U
		APPROVED: J. CAIRO	DATE 5-29-13	SIZE A
		ORIGINAL DESIGN: -	DATE -	DRAWING #: DD.P1K.FR10.FLNG

THIS DOCUMENT AND INFORMATION CONTAINED IN IT ARE CONFIDENTIAL, AND CANNOT BE COPIED OR DISCLOSED IN WHOLE OR IN PART WITHOUT THE EXPRESS WRITTEN CONSENT OF YASKAWA AMERICA, INC.

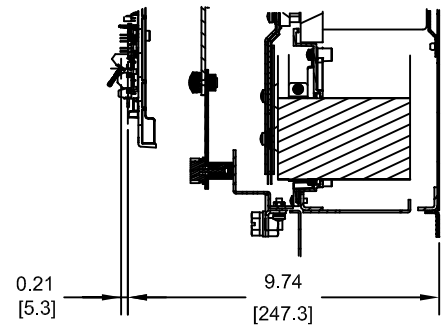
TERMINAL AND WIRING DETAILS (SCALE 1:6)
FOR 6-PULSE INPUT DRIVES



TERMINAL AND WIRE SPECIFICATIONS FOR
MAIN CIRCUIT AND GROUND

MODEL # CIMR-PU	TERMINAL SYMBOL	TERMINAL SCREW	CLAMPING TORQUE lb.in.(N.m.)	WIRE RANGE AWG(mm ²)
2A0169U	R/L1, S/L2, T/L3	M10	159.3 TO 203.6 (18 TO 23)	10-4/0 (5.3-107.2)
2A0211U	U/T1, V/T2, W/T3			
4A0139U	⊖, ⊕1, ⊕3			
4A0165U	⊕	M10	159.3 TO 203.6 (18 TO 23)	SEE NOTE
5A0062U	⊕			
5A0077U	⊕			
5A0099U	⊕			

NOTE: REFER TO APPLICABLE CODES FOR PROPER WIRE TYPE AND SIZE

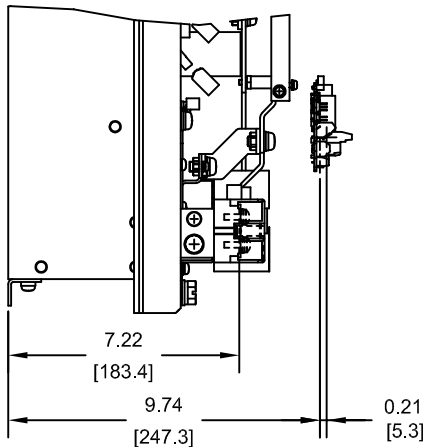
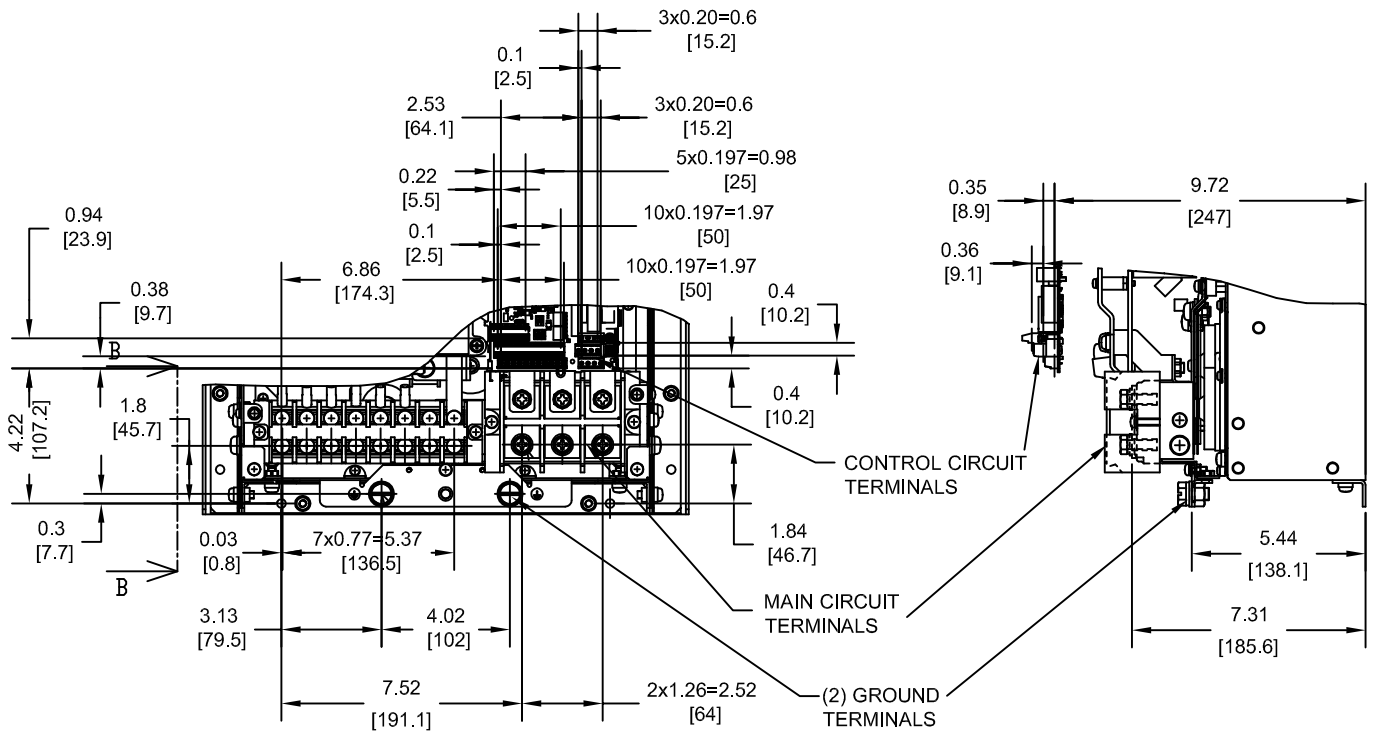


SECTION A-A

FOR ADDITIONAL DETAILS AND SPECIFICATIONS, CONSULT MANUAL

TOLERANCES / REFERENCES:			DRAWN: J. MATTAS DATE: 11-12-12	TITLE: P1000 DIMENSION DRAWING FRAME SIZE 10 DESIGNED FOR IP54/TYPE 12 ENCLOSURES	
			CHECKED: J. PIOTROWSKI DATE: 1-18-13	2A0169U-0211U, 4A0139U-0165U, 4T0139U-0165U, 5A0062U-0099U	
		TECH: J. BORJA DATE: 1-22-13	APPROVED: J. CAIRO DATE: 5-29-13	SIZE: A	REVISION: R00
UNITS: IN [mm]	SCALE: BY VIEW	ORIGINAL DESIGN: -	DATE: -	DRAWING #: DD.P1K.FR10.FLNG	
		THIS DOCUMENT AND INFORMATION CONTAINED IN IT ARE CONFIDENTIAL, AND CANNOT BE COPIED OR DISCLOSED IN WHOLE OR IN PART WITHOUT THE EXPRESS WRITTEN CONSENT OF YASKAWA AMERICA, INC.		PAGE 2 of 4	

TERMINAL AND WIRING DETAILS (SCALE 1:6)
FOR 12-PULSE INPUT DRIVES



SECTION B-B

TERMINAL AND WIRE SPECIFICATIONS FOR
MAIN CIRCUIT AND GROUND

MODEL # CIMR-PU	TERMINAL SYMBOL	TERMINAL SCREW	CLAMPING TORQUE lb.in.(N.m.)	WIRE RANGE AWG(ϕmm)
4T0139U 4T0165U	R/L1, S/L2, T/L3	M6	22.1 TO 26.6 (2.5 TO 3.0)	22-1/0 (0.3-53.5)
	R1/L11, S1/L21, T1/L31			
	⊖ ⊕3	M8	132.8 (15.0)	6-250kcmil (13.3-127)
	U/T1, V/T2, W/T3	M10	159.3 TO 203.6 (18 TO 23)	SEE NOTE

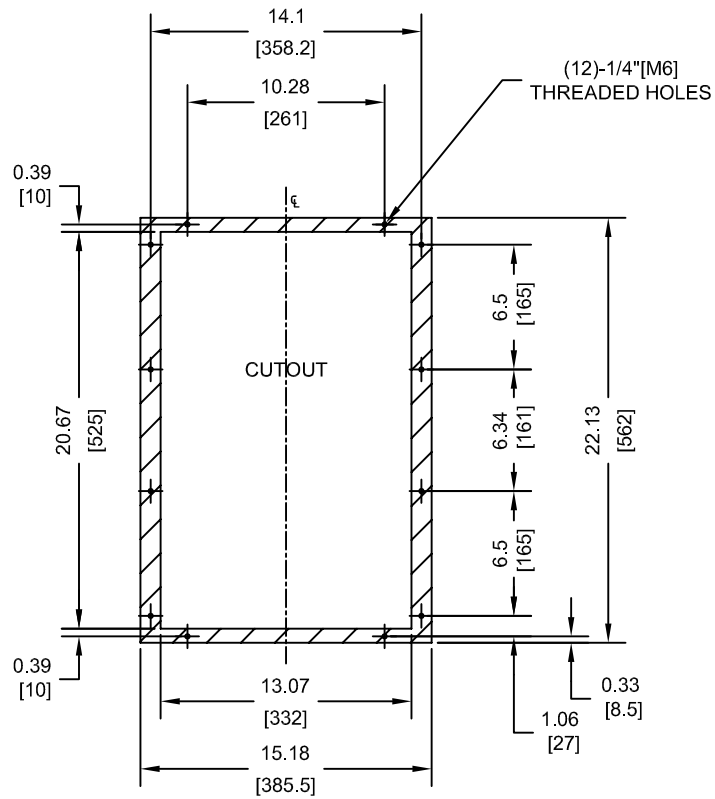
NOTE: REFER TO APPLICABLE CODES FOR PROPER WIRE TYPE AND SIZE

FOR ADDITIONAL DETAILS AND SPECIFICATIONS, CONSULT MANUAL

TOLERANCES / REFERENCES:			DRAWN: J. MATTAS DATE: 11-12-12	TITLE: P1000 DIMENSION DRAWING FRAME SIZE 10 DESIGNED FOR IP54/TYPE 12 ENCLOSURES	
			CHECKED: J. PIOTROWSKI DATE: 1-18-13	2A0169U-0211U, 4A0139U-0165U, 4T0139U-0165U, 5A0062U-0099U	
		TECH: J. BORJA DATE: 1-22-13	APPROVED: J. CAIRO DATE: 5-29-13	SIZE: A	REVISION: R00
UNITS: IN[mm]	SCALE: BY VIEW	ORIGINAL DESIGN: -	DATE: -	PAGE 3 of 4	
		DRAWING #: DD.P1K.FR10.FLNG			

THIS DOCUMENT AND INFORMATION CONTAINED
IN IT ARE CONFIDENTIAL, AND CANNOT BE
COPIED OR DISCLOSED IN WHOLE OR IN PART
WITHOUT THE EXPRESS WRITTEN CONSENT
OF YASKAWA AMERICA, INC.


PANEL CUTOUT (SCALE 1:10)



NOTES:

1. CUTOUT TOLERANCES:
+/- 0.02IN (0.5MM)
2. EXPOSED HEATSINK DEPTH
D=4.21" MINUS PANEL THICKNESS
3. MIN. RECOMMENDED PANEL
THICKNESS: 12 GA

FOR ADDITIONAL DETAILS AND SPECIFICATIONS, CONSULT MANUAL

TOLERANCES / REFERENCES:		 THIS DOCUMENT AND INFORMATION CONTAINED IN IT ARE CONFIDENTIAL, AND CANNOT BE COPIED OR DISCLOSED IN WHOLE OR IN PART WITHOUT THE EXPRESS WRITTEN CONSENT OF YASKAWA AMERICA, INC.	DRAWN: J. MATTAS DATE: 11-12-12	TITLE: P1000 DIMENSION DRAWING FRAME SIZE 10 DESIGNED FOR IP54/TYPE 12 ENCLOSURES 2A0169U-0211U, 4A0139U-0165U, 4T0139U-0165U, 5A0062U-0099U
UNITS: IN [mm]	SCALE: BY VIEW		CHECKED: J. PIOTROWSKI DATE: 1-18-13	TECH: J. BORJA DATE: 1-22-13
		APPROVED: J. CAIRO DATE: 5-29-13	ORIGINAL DESIGN: -	DATE: -
			SIZE: A	REVISION: R00
			PAGE: 4 of 4	DRAWING #: DD.P1K.FR10.FLNG