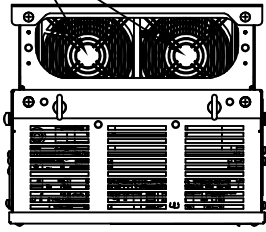
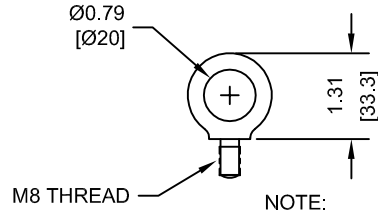


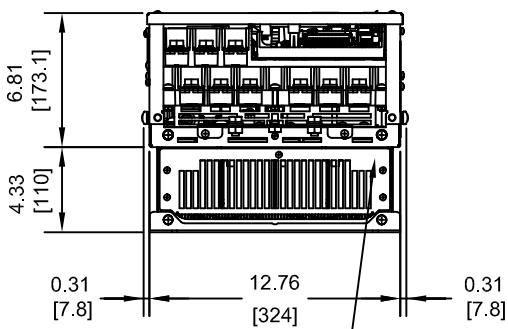
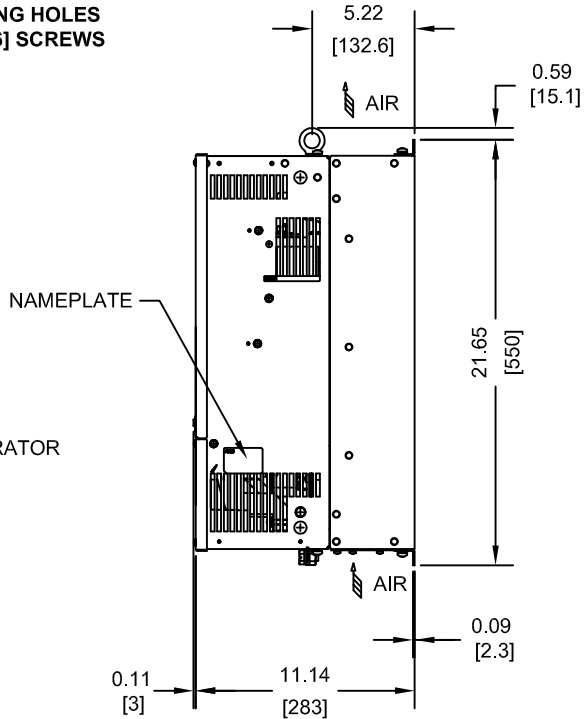
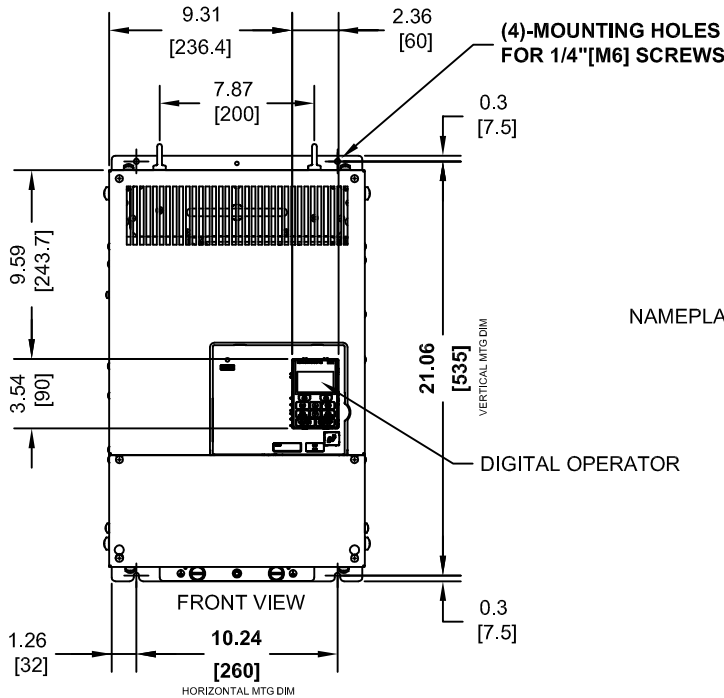
(2) EXTERNAL COOLING FANS



LIFTING AND EYEBOLT DETAILS



NOTE:
SPREADER BAR REQUIRED TO AVOID DAMAGE DURING LIFTING



MODEL # CIMR-PU	INPUT TYPE	VOLTAGE 3-PHASE (VAC)	OUTPUT CURRENT (A)	WEIGHT LBS (Kg)	HEAT LOSS (W) (Fc=2kHz)		
					INT	EXT	TOT
2A0169AXX	6 PULSE	200/240	169	81.4 (37)	380	1014	1394
2A0211AXX	6 PULSE		211	83.6 (38)	473	1218	1691
4A0139AXX	6 PULSE	380/480	139	90.2 (41)	534	1215	1749
4A0165AXX	6 PULSE		165	92.4 (42)	668	1557	2225
4T0139AXX	12 PULSE		139	83.0 (38)	487	1179	1666
4T0165AXX	12 PULSE		165	85.5 (39)	624	1520	2144
5A0062AXX	6 PULSE	500/600	62	90.2 (41)	279	791	1070
5A0077AXX	6 PULSE		77	90.2 (41)	329	959	1288
5A0099AXX	6 PULSE		99	90.2 (41)	412	1253	1665

NOTES:
XX DENOTES AA-ZZ

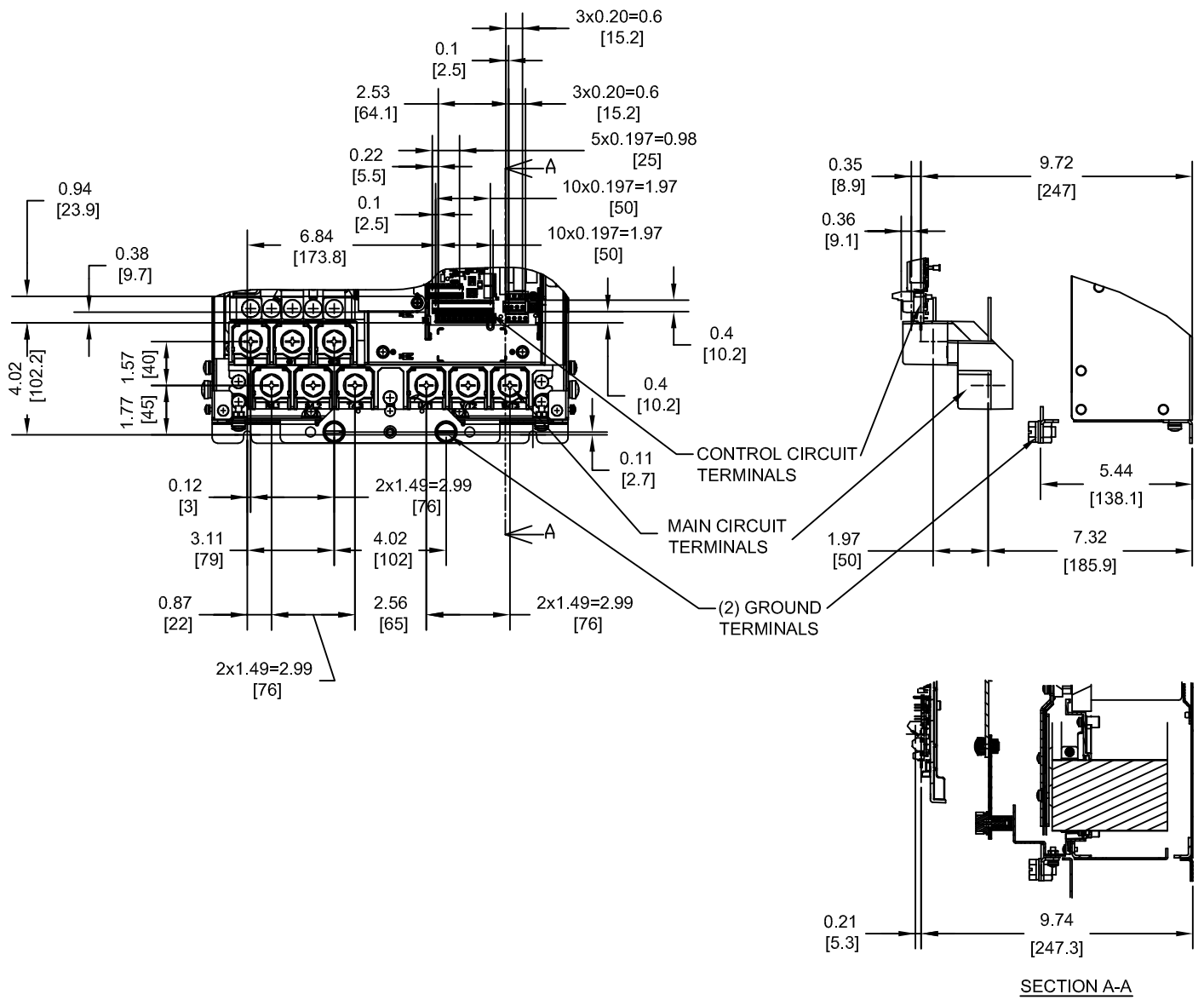
INT=INTERNAL COMPONENTS
EXT=EXTERNAL HEATSINK
TOT=TOTAL

OPTIONAL CAPACITOR COVER
WHEN USING AN EXTERNAL MOUNT HEATSINK, UL COMPLIANCE REQUIRES COVERING EXPOSED CAPACITORS IN THE MAIN CIRCUIT TO PREVENT INJURY. CONSULT MANUAL FOR DETAILS.

FOR ADDITIONAL DETAILS AND SPECIFICATIONS, CONSULT MANUAL

TOLERANCES / REFERENCES:			DRAWN: J. MATTAS DATE 12-9-11	TITLE: P1000 DIMENSION DRAWING FRAME SIZE 10 IP00 ENCLOSURE
UNITS: IN [mm]			CHECKED: J. PIOTROWSKI DATE 1-5-12	2A0169A-0211A, 4A0139A-0165A, 4T0139A-0165A, 5A0062A-0099A
SCALE: 1:10		THIS DOCUMENT AND INFORMATION CONTAINED IN IT ARE CONFIDENTIAL, AND CANNOT BE COPIED OR DISCLOSED IN WHOLE OR IN PART WITHOUT THE EXPRESS WRITTEN CONSENT OF YASKAWA AMERICA, INC.	TECH: J. BORJA DATE 1-9-12	SIZE: A REVISION: R01 PAGE: 1 of 4
		APPROVED: J. CAIRO DATE 1-10-12	ORIGINAL DESIGN: - DATE -	DRAWING #: DD.P1K.FR10.IP00

TERMINAL AND WIRING DETAILS (SCALE 1:6)
FOR 6-PULSE INPUT DRIVES



TERMINAL AND WIRE SPECIFICATIONS FOR
MAIN CIRCUIT AND GROUND

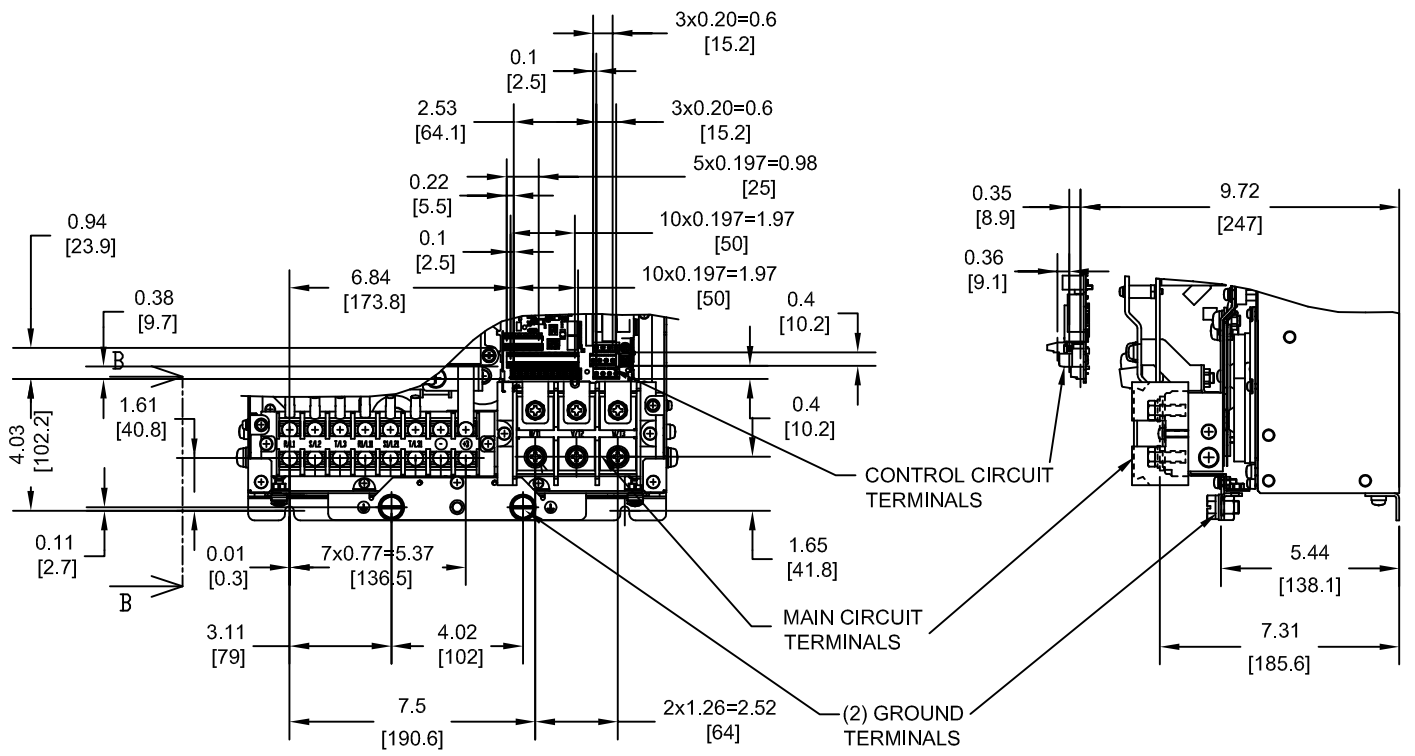
MODEL # CIMR-PU	TERMINAL SYMBOL	TERMINAL SCREW	CLAMPING TORQUE lb.in.(N.m.)	WIRE RANGE AWG(mm ²)
2A0169A	R/L1, S/L2, T/L3	M10	159.3 TO 203.6 (18 TO 23)	10-4/0 (5.3-107.2)
2A0211A	U/T1, V/T2, W/T3			
4A0139A	⊖, ⊕1, ⊕3			
4A0165A	⊕	M10	159.3 TO 203.6 (18 TO 23)	SEE NOTE
5A0062A	⊕			
5A0077A	⊕			
5A0099A	⊕			

NOTE: REFER TO APPLICABLE CODES FOR PROPER WIRE TYPE AND SIZE

FOR ADDITIONAL DETAILS AND SPECIFICATIONS, CONSULT MANUAL

TOLERANCES / REFERENCES:			DRAWN: J. MATTAS DATE 12-9-11	TITLE: P1000 DIMENSION DRAWING FRAME SIZE 10 IP00 ENCLOSURE
UNITS: IN [mm] SCALE: BY VIEW			CHECKED: J. PIOTROWSKI DATE 1-5-12	DATE 1-9-12
THIS DOCUMENT AND INFORMATION CONTAINED IN IT ARE CONFIDENTIAL, AND CANNOT BE COPIED OR DISCLOSED IN WHOLE OR IN PART WITHOUT THE EXPRESS WRITTEN CONSENT OF YASKAWA AMERICA, INC.		TECH: J. BORJA DATE 1-10-12	DATE 1-10-12	PAGE 2 of 4
		APPROVED: J. CAIRO	ORIGINAL DESIGN: -	DRAWING #: DD.P1K.FR10.IP00

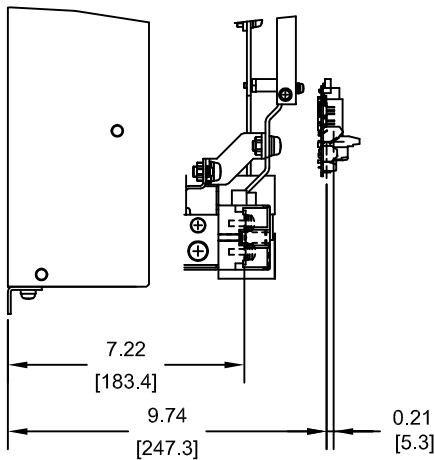
TERMINAL AND WIRING DETAILS (SCALE 1:6)
FOR 12-PULSE INPUT DRIVES



TERMINAL AND WIRE SPECIFICATIONS FOR
MAIN CIRCUIT AND GROUND

MODEL # CIMR-PU	TERMINAL SYMBOL	TERMINAL SCREW	CLAMPING TORQUE lb.in.(N.m.)	WIRE RANGE AWG(řm)
4T0139A 4T0165A	R/L1, S/L2, T/L3	M6	22.1 TO 26.6 (2.5 TO 3.0)	22-1/0 (0.3-53.5)
	R1/L11, S1/L21, T1/L31			
	⊙ ⊕3	M8	132.8 (15.0)	6-250kcmil (13.3-127)
	U/T1, V/T2, W/T3			
	⊕	M10	159.3 TO 203.6 (18 TO 23)	SEE NOTE

NOTE: REFER TO APPLICABLE CODES FOR PROPER WIRE TYPE AND SIZE

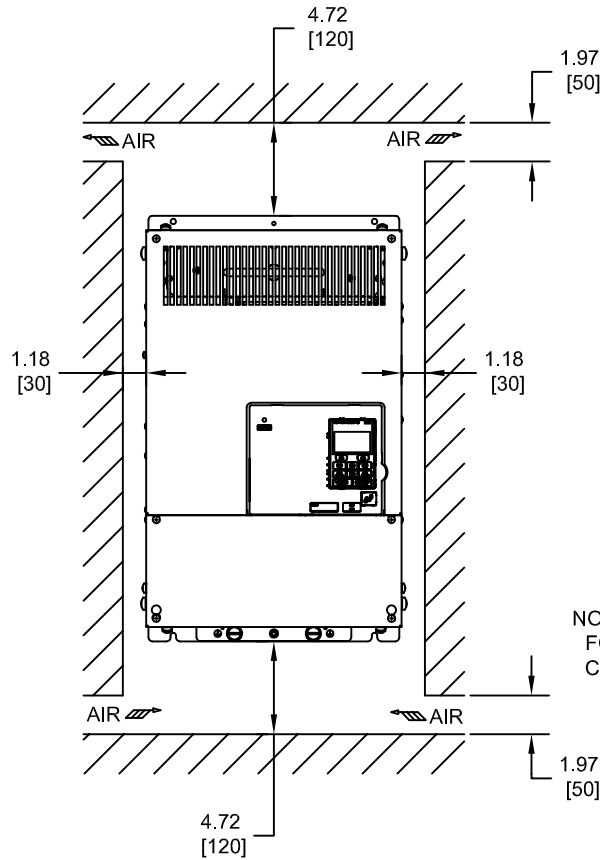


SECTION B-B

FOR ADDITIONAL DETAILS AND SPECIFICATIONS, CONSULT MANUAL

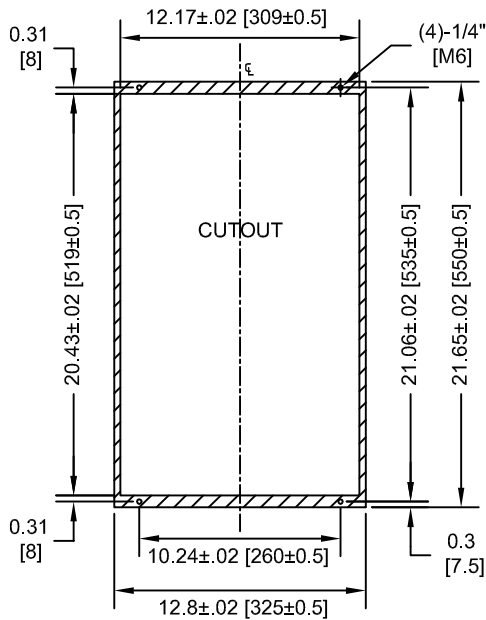
TOLERANCES / REFERENCES:			DRAWN: J. MATTAS DATE 12-9-11	TITLE: P1000 DIMENSION DRAWING FRAME SIZE 10 IP00 ENCLOSURE
UNITS: IN [mm] SCALE: BY VIEW			CHECKED: J. PIOTROWSKI DATE 1-5-12	2A0169A-0211A, 4A0139A-0165A, 4T0139A-0165A, 5A0062A-0099A
THIS DOCUMENT AND INFORMATION CONTAINED IN IT ARE CONFIDENTIAL, AND CANNOT BE COPIED OR DISCLOSED IN WHOLE OR IN PART WITHOUT THE EXPRESS WRITTEN CONSENT OF YASKAWA AMERICA, INC.		TECH: J. BORJA DATE 1-9-12	SIZE: A REVISION: R01 PAGE: 3 of 4	
		APPROVED: J. CAIRO DATE 1-10-12	DRAWING #: DD.P1K.FR10.IP00	
		ORIGINAL DESIGN: -		

MINIMUM INSTALLATION CLEARANCES (SCALE 1:10)



NOTE:
FOR SIDE-BY-SIDE MOUNTING
CONSULT MANUAL

PANEL CUTOUT FOR EXTERNAL HEATSINK
MOUNTING CONFIGURATION (SCALE 1:10)



NOTE:
EXPOSED HEATSINK DEPTH
D=4.33" MINUS PANEL THICKNESS

FOR ADDITIONAL DETAILS AND SPECIFICATIONS, CONSULT MANUAL

TOLERANCES / REFERENCES:			DRAWN: J. MATTAS CHECKED: J. PIOTROWSKI TECH: J. BORJA APPROVED: J. CAIRO ORIGINAL DESIGN: -	DATE 12-9-11 DATE 1-5-12 DATE 1-9-12 DATE 1-10-12 DATE -	TITLE: P1000 DIMENSION DRAWING FRAME SIZE 10 IP00 ENCLOSURE 2A0169A-0211A, 4A0139A-0165A, 4T0139A-0165A, 5A0062A-0099A
UNITS: IN [mm]	SCALE: BY VIEW		THIS DOCUMENT AND INFORMATION CONTAINED IN IT ARE CONFIDENTIAL, AND CANNOT BE COPIED OR DISCLOSED IN WHOLE OR IN PART WITHOUT THE EXPRESS WRITTEN CONSENT OF YASKAWA AMERICA, INC.	SIZE A REVISION R01 PAGE 4 of 4	DRAWING #: DD.P1K.FR10.IP00