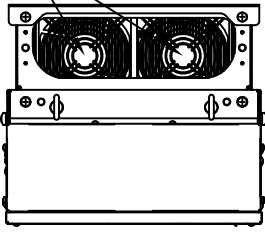
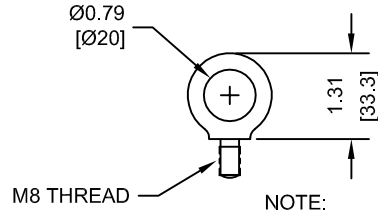


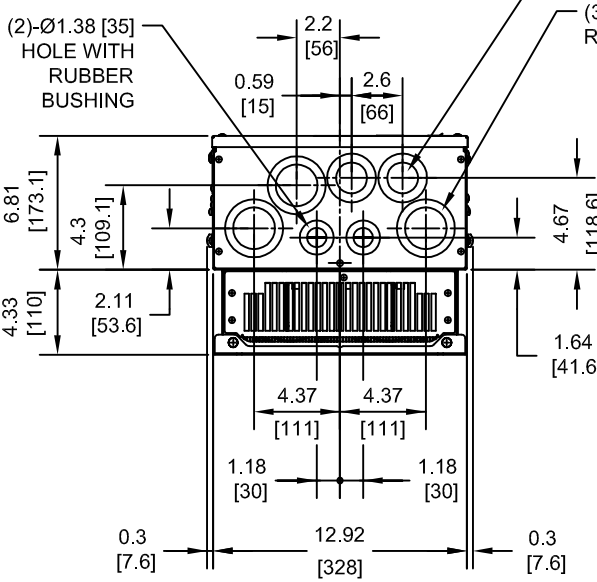
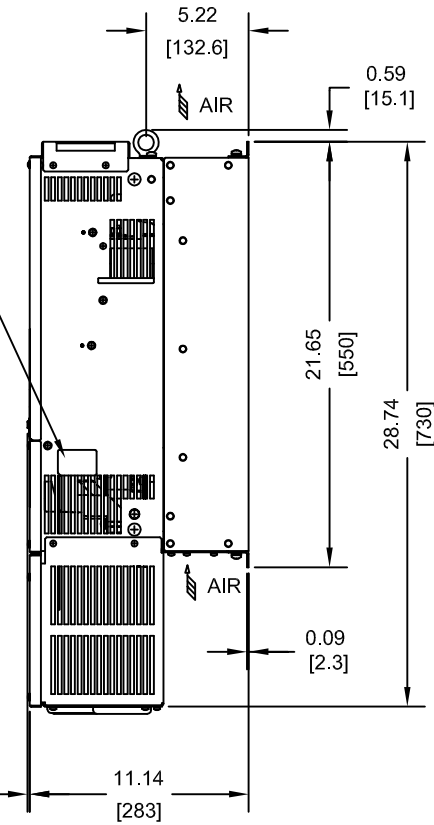
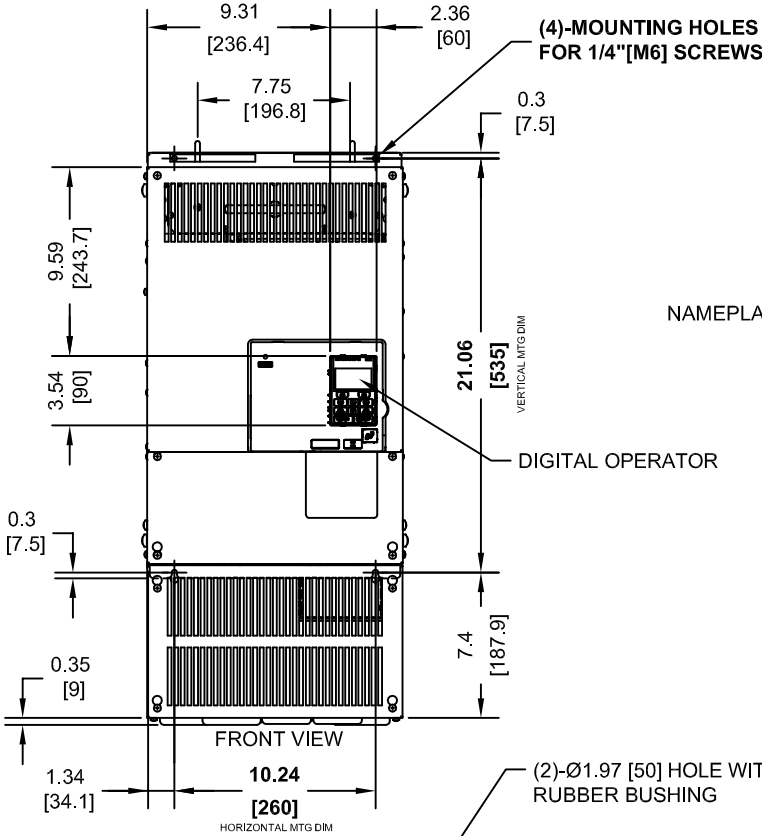
(2) EXTERNAL COOLING FANS



LIFTING AND EYEBOLT DETAILS



NOTE:
SPREADER BAR REQUIRED TO AVOID DAMAGE DURING LIFTING



MODEL # CIMR-PU	VOLTAGE THREE-PHASE (VAC)	OUTPUT CURRENT (A)	WEIGHT LBS (Kg)	HEAT LOSS (W) (Fc=2kHz)		
				INT	EXT	TOT
2A0169FXX	200/240	169	90.2 (41)	380	1014	1394
2A0211FXX		211	92.4 (42)	473	1218	1691
4A0139FXX	380/480	139	99.0 (45)	534	1215	1749
4A0165FXX		165	101 (46)	668	1557	2225
5A0062FXX	500/600	62	99.0 (45)	279	791	1070
5A0077FXX		77	99.0 (45)	329	959	1288
5A0099FXX		99	99.0 (45)	412	1253	1665

NOTES:
XX DENOTES AA-ZZ

INT=INTERNAL COMPONENTS
EXT=EXTERNAL HEATSINK
TOT=TOTAL

FOR ADDITIONAL DETAILS AND SPECIFICATIONS, CONSULT MANUAL

TOLERANCES / REFERENCES:



THIS DOCUMENT AND INFORMATION CONTAINED IN IT ARE CONFIDENTIAL, AND CANNOT BE COPIED OR DISCLOSED IN WHOLE OR IN PART WITHOUT THE EXPRESS WRITTEN CONSENT OF YASKAWA AMERICA, INC.

DRAWN: J. MATTAS

CHECKED: J. PIOTROWSKI

TECH: J. BORJA

APPROVED: J. CAIRO

ORIGINAL DESIGN:

DATE: 12-9-11

DATE: 1-5-12

DATE: 1-9-12

DATE: 1-10-12

DATE:

TITLE:

P1000 DIMENSION DRAWING
FRAME SIZE 10
NEMA TYPE 1 ENCLOSURE
2A0169-0211, 4A0139-0165, 5A0062-0099

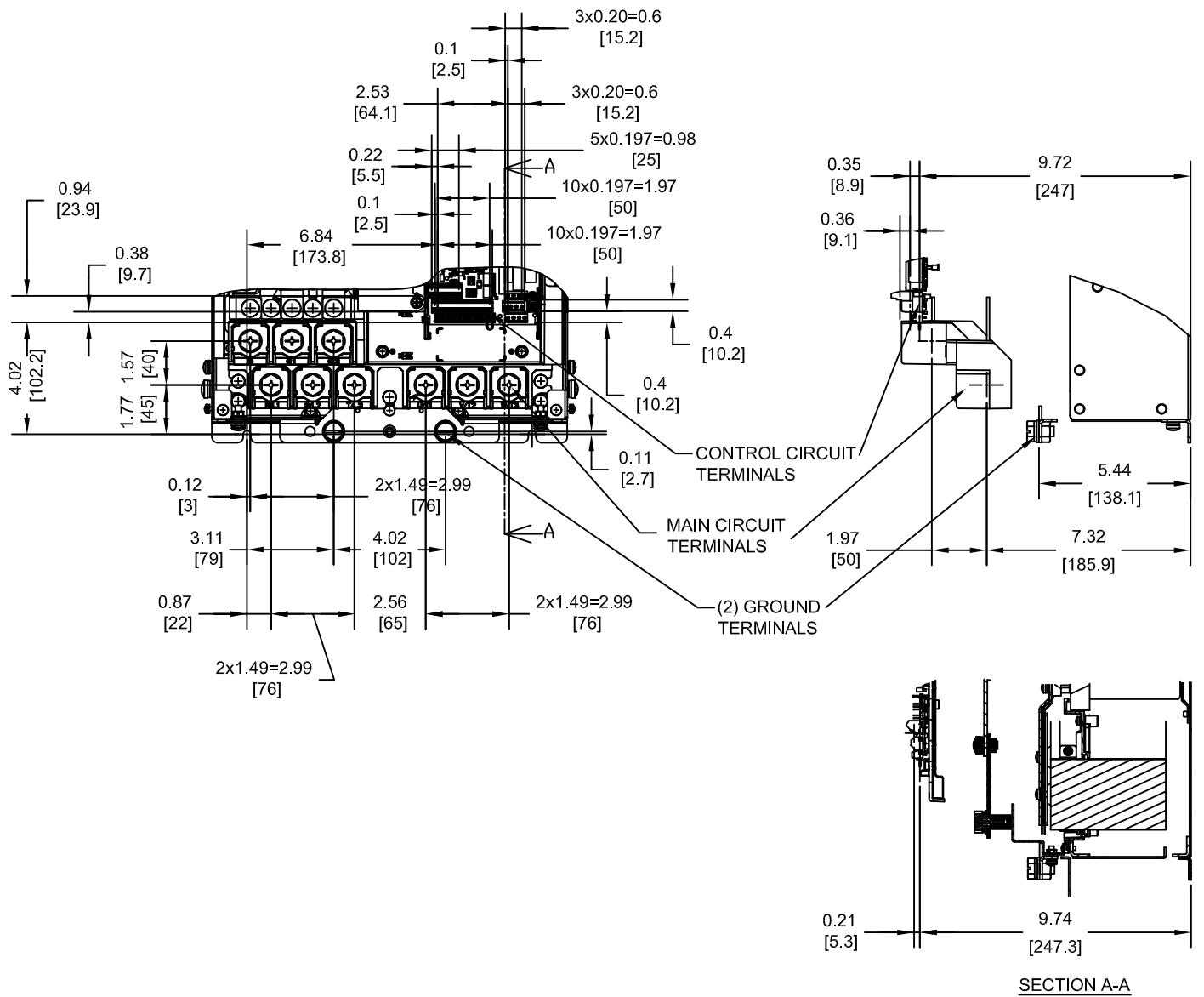
SIZE A	REVISION R00	PAGE 1 of 3
-----------	-----------------	----------------

DRAWING #:
DD.P1K.FR10.N1

UNITS:
IN [mm]

SCALE:
1:10

TERMINAL AND WIRING DETAILS (SCALE 1:6)



TERMINAL AND WIRE SPECIFICATIONS FOR MAIN CIRCUIT AND GROUND

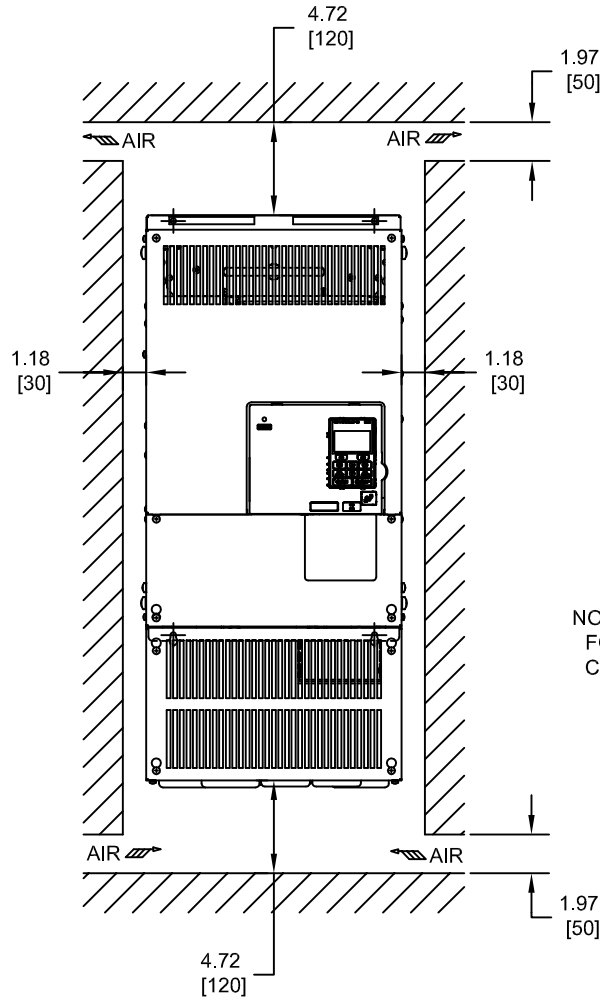
MODEL # CIMR-PU	TERMINAL SYMBOL	TERMINAL SCREW	CLAMPING TORQUE lb.in.(N.m.)	WIRE RANGE AWG(mm ²)
2A0169	R/L1, S/L2, T/L3	M10	159.3 TO 203.6 (18 TO 23)	10-4/0 (5.3-107.2)
2A0211	U/T1, V/T2, W/T3			
4A0139	⊖, ⊕1, ⊕3			
4A0165	⊕	M10	159.3 TO 203.6 (18 TO 23)	SEE NOTE
5A0062	⊖			
5A0077				
5A0099				

NOTE: REFER TO APPLICABLE CODES FOR PROPER WIRE TYPE AND SIZE

FOR ADDITIONAL DETAILS AND SPECIFICATIONS, CONSULT MANUAL

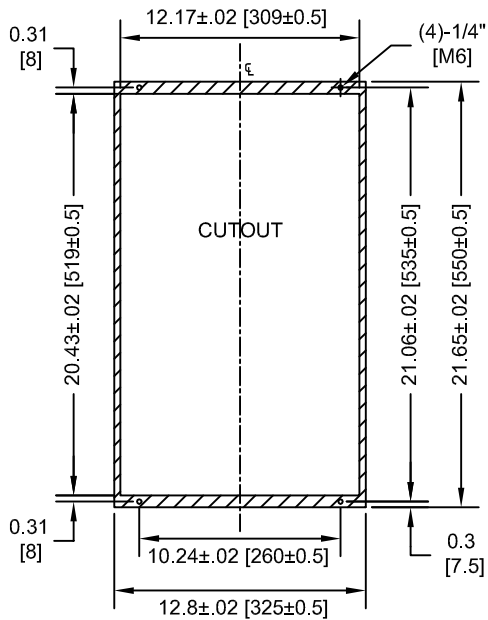
TOLERANCES / REFERENCES:			DRAWN: J. MATTAS DATE: 12-9-11	TITLE: P1000 DIMENSION DRAWING FRAME SIZE 10 NEMA TYPE 1 ENCLOSURE 2A0169-0211, 4A0139-0165, 5A0062-0099
UNITS: IN [mm]	SCALE: BY VIEW		CHECKED: J. PIOTROWSKI DATE: 1-5-12	TECH: J. BORJA DATE: 1-9-12
THIS DOCUMENT AND INFORMATION CONTAINED IN IT ARE CONFIDENTIAL, AND CANNOT BE COPIED OR DISCLOSED IN WHOLE OR IN PART WITHOUT THE EXPRESS WRITTEN CONSENT OF YASKAWA AMERICA, INC.		APPROVED: J. CAIRO DATE: 1-10-12	ORIGINAL DESIGN: - DATE: -	SIZE: A REVISION: R00 PAGE: 2 of 3
			DRAWING #: DD.P1K.FR10.N1	

MINIMUM INSTALLATION CLEARANCES (SCALE 1:10)



NOTE:
FOR SIDE-BY-SIDE MOUNTING
CONSULT MANUAL

PANEL CUTOUT FOR EXTERNAL HEATSINK
MOUNTING CONFIGURATION (SCALE 1:10)



NOTE:
EXPOSED HEATSINK DEPTH
D=4.33" MINUS PANEL THICKNESS

FOR ADDITIONAL DETAILS AND SPECIFICATIONS, CONSULT MANUAL

TOLERANCES / REFERENCES:		<p>THIS DOCUMENT AND INFORMATION CONTAINED IN IT ARE CONFIDENTIAL, AND CANNOT BE COPIED OR DISCLOSED IN WHOLE OR IN PART WITHOUT THE EXPRESS WRITTEN CONSENT OF YASKAWA AMERICA, INC.</p>	DRAWN: J. MATTAS	DATE 12-9-11	TITLE: P1000 DIMENSION DRAWING FRAME SIZE 10 NEMA TYPE 1 ENCLOSURE 2A0169-0211, 4A0139-0165, 5A0062-0099		
			CHECKED: J. PIOTROWSKI	DATE 1-5-12			
			TECH: J. BORJA	DATE 1-9-12			
			APPROVED: J. CAIRO	DATE 1-10-12			
UNITS: IN [mm]	SCALE: BY VIEW	ORIGINAL DESIGN:	-	DATE	-		
					SIZE A	REVISION R00	PAGE 3 of 3
					DRAWING #: DD.P1K.FR10.N1		