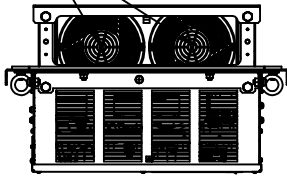
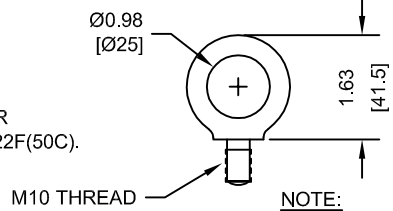


(2) EXTERNAL COOLING FANS



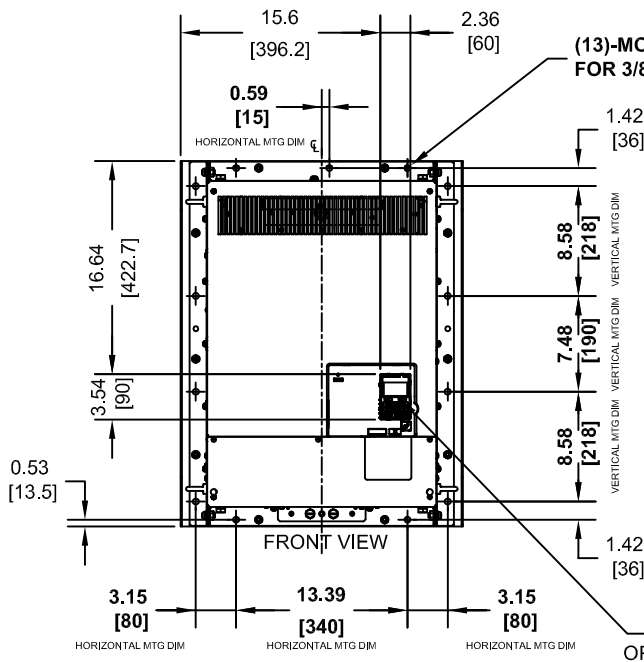
NOTE:
MAXIMUM SURROUNDING AIR
TEMPERATURE RATING IS 122F(50C).

LIFTING AND EYEBOLT DETAILS

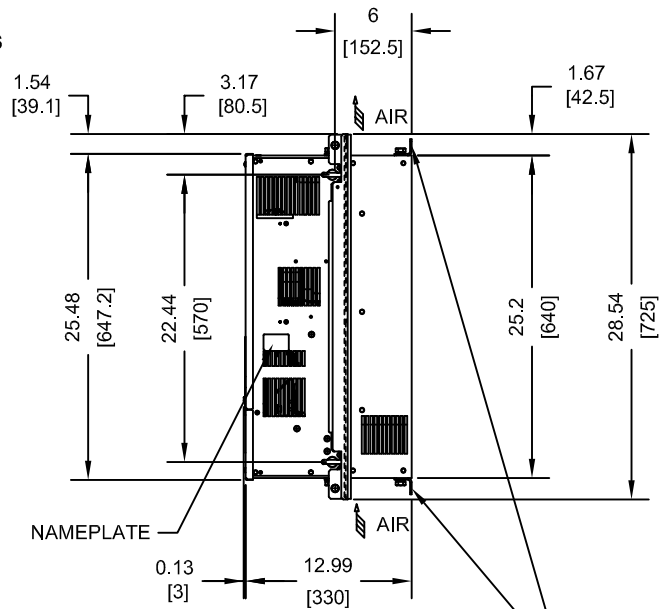


NOTE:
SPREADER BAR REQUIRED TO
AVOID DAMAGE DURING LIFTING

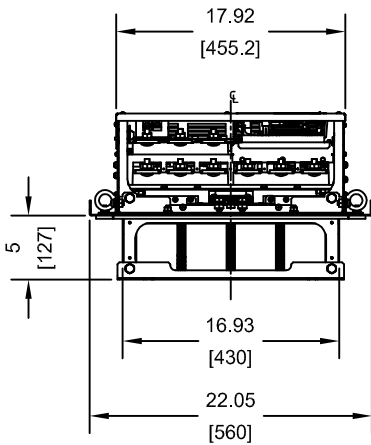
(13)-MOUNTING HOLES
FOR 3/8"[M10] SCREWS



DIGITAL OPERATOR



(2)-MOUNTING BRACKETS
USED DURING TRANSPORT ONLY
REMOVE BEFORE INSTALLING



| MODEL # CIMR-PU | INPUT TYPE | VOLTAGE 3-PHASE (VAC) | OUTPUT CURRENT (A) | WEIGHT LBS (Kg) | HEAT LOSS (W) (Fc=2kHz) | | |
|--------------------|---------------|-----------------------------|--------------------------|--------------------|----------------------------|------|------|
| | | | | | INT | EXT | TOT |
| 2A0250UXX | 6 PULSE | 200/240 | 250 | 183 (83) | 594 | 1764 | 2358 |
| 2A0312UXX | 6 PULSE | | 312 | 194 (88) | 665 | 2020 | 2685 |
| 4A0208UXX | 6 PULSE | 380/480 | 208 | 191 (87) | 607 | 1800 | 2407 |
| 4T0208UXX | 12 PULSE | | 208 | 172 (78) | 553 | 1746 | 2299 |
| 5A0125UXX | 6 PULSE | 500/600 | 125 | 191 (87) | 537 | 1641 | 2178 |
| 5A0145UXX | 6 PULSE | | 145 | 191 (87) | 603 | 1860 | 2463 |

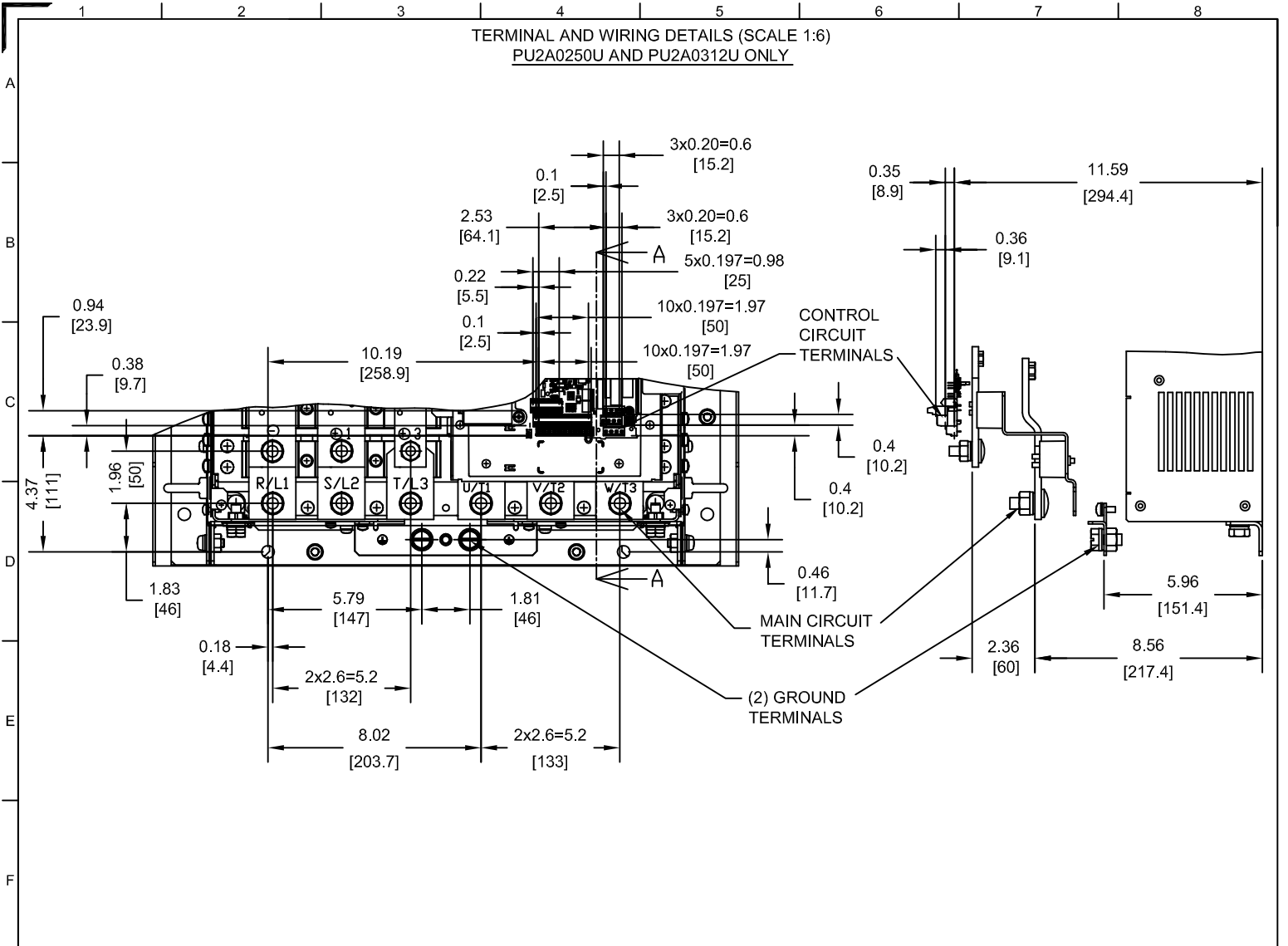
NOTES:
XX DENOTES AA-ZZ

INT=INTERNAL COMPONENTS
EXT=EXTERNAL HEATSINK
TOT=TOTAL

FOR ADDITIONAL DETAILS AND SPECIFICATIONS, CONSULT MANUAL

| | | | | |
|--|----------------|--|---|--------------------------------|
| TOLERANCES / REFERENCES: | | DRAWN: J. MATTAS DATE: 11-12-12 | TITLE: P1000 DIMENSION DRAWING | |
| | | CHECKED: J. PIOTROWSKI DATE: 1-18-13 | FRAME SIZE 11 DESIGNED FOR IP54/TYPE 12 ENCLOSURES | |
| | | TECH: J. BORJA DATE: 1-22-13 | 2A0250U-0312U, 4A0208U, 4T0208U, 5A0125U-0145U | |
| | | APPROVED: J. CAIRO DATE: 5-29-13 | SIZE A | REVISION R00 |
| UNITS: IN [mm] | SCALE: 1:15 | ORIGINAL DESIGN: - | DATE: - | DRAWING #: DD.P1K.FR11.FLNG |
| THIS DOCUMENT AND INFORMATION CONTAINED IN IT ARE CONFIDENTIAL, AND CANNOT BE COPIED OR DISCLOSED IN WHOLE OR IN PART WITHOUT THE EXPRESS WRITTEN CONSENT OF YASKAWA AMERICA, INC. | | | | |

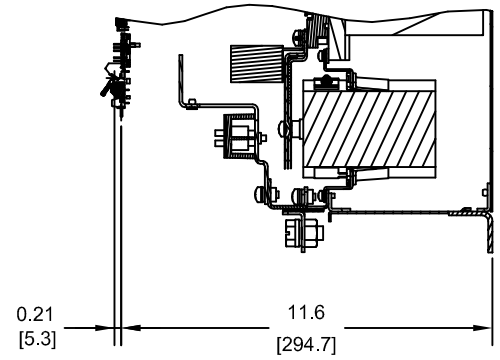
TERMINAL AND WIRING DETAILS (SCALE 1:6)
 PU2A0250U AND PU2A0312U ONLY



TERMINAL AND WIRE SPECIFICATIONS FOR
 MAIN CIRCUIT AND GROUND

| MODEL # CIMR-PU | TERMINAL SYMBOL | TERMINAL SCREW | CLAMPING TORQUE lb.in.(N.m.) |
|--------------------|--------------------|-------------------|---------------------------------|
| 2A0250U 2A0312U | R/L1, S/L2, T/L3 | M12 | 283.2 TO 354.0 (32 TO 40) |
| | U/T1, V/T2, W/T3 | | |
| | ⊖, ⊕1 | M10 | 159.3 TO 203.6 (18 TO 23) |
| | ⊕3 | M12 | 283.2 TO 354.0 (32 TO 40) |

NOTE: REFER TO APPLICABLE CODES FOR PROPER WIRE TYPE AND SIZE

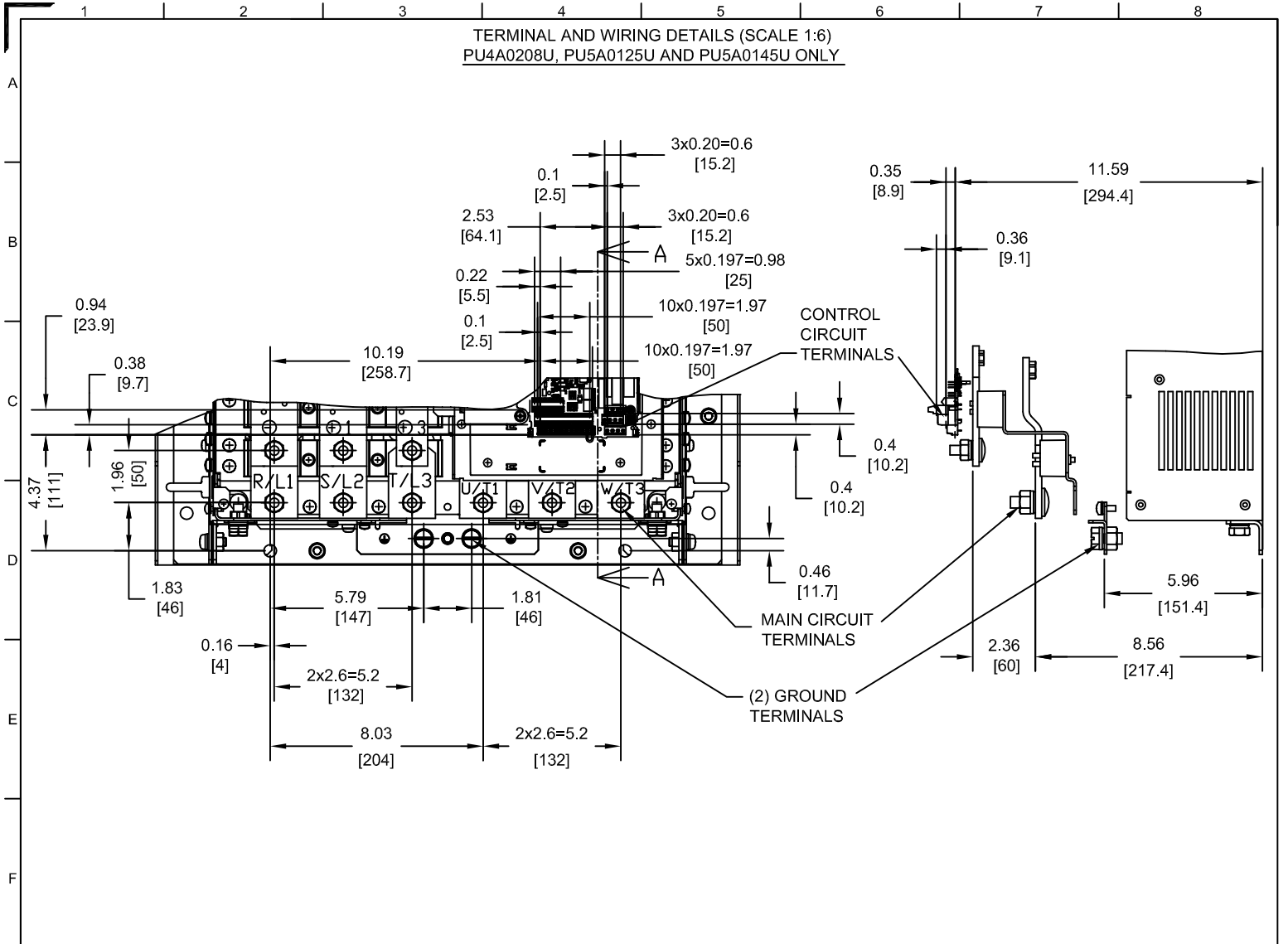


SECTION A-A

FOR ADDITIONAL DETAILS AND SPECIFICATIONS, CONSULT MANUAL

| | | | | | |
|--------------------------|-------------------|--|--|---|--|
| TOLERANCES / REFERENCES: | | | DRAWN: J. MATTAS CHECKED: J. PIOTROWSKI TECH: J. BORJA APPROVED: J. CAIRO ORIGINAL DESIGN: - | DATE: 11-12-12 DATE: 1-18-13 DATE: 1-22-13 DATE: 5-29-13 DATE: - | TITLE: P1000 DIMENSION DRAWING FRAME SIZE 11 DESIGNED FOR IP54/TYPE 12 ENCLOSURES 2A0250U-0312U, 4A0208U, 5A0125U-0145U SIZE: A REVISION: R00 PAGE: 2 of 5 DRAWING #: DD.P1K.FR11.FLNG |
| UNITS: IN[mm] | SCALE: BY VIEW | | THIS DOCUMENT AND INFORMATION CONTAINED IN IT ARE CONFIDENTIAL, AND CANNOT BE COPIED OR DISCLOSED IN WHOLE OR IN PART WITHOUT THE EXPRESS WRITTEN CONSENT OF YASKAWA AMERICA, INC. | | |

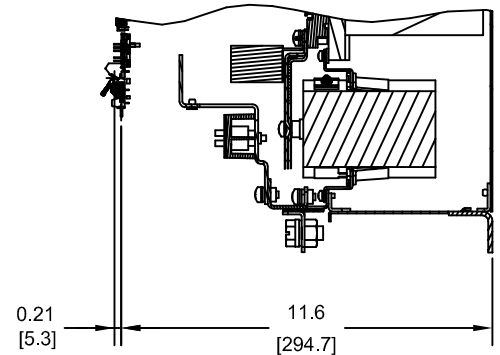
TERMINAL AND WIRING DETAILS (SCALE 1:6)
 PU4A0208U, PU5A0125U AND PU5A0145U ONLY



TERMINAL AND WIRE SPECIFICATIONS FOR
 MAIN CIRCUIT AND GROUND

| MODEL # CIMR-PU | TERMINAL SYMBOL | TERMINAL SCREW | CLAMPING TORQUE lb.in.(N.m.) |
|--------------------|--------------------|-------------------|---------------------------------|
| 4A0208U | R/L1, S/L2, T/L3 | M10 | 159.3 TO 203.6 (18 TO 23) |
| | U/T1, V/T2, W/T3 | | |
| 5A0125U | ⊖, ⊕1 | M10 | 159.3 TO 203.6 (18 TO 23) |
| 5A0145U | ⊕3 | M10 | 159.3 TO 203.6 (18 TO 23) |
| | ⊕ | M10 | 159.3 TO 203.6 (18 TO 23) |

NOTE: REFER TO APPLICABLE CODES FOR PROPER WIRE TYPE AND SIZE

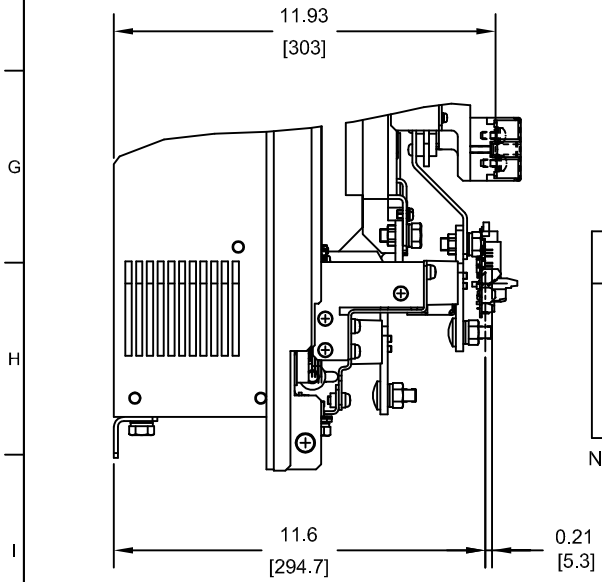
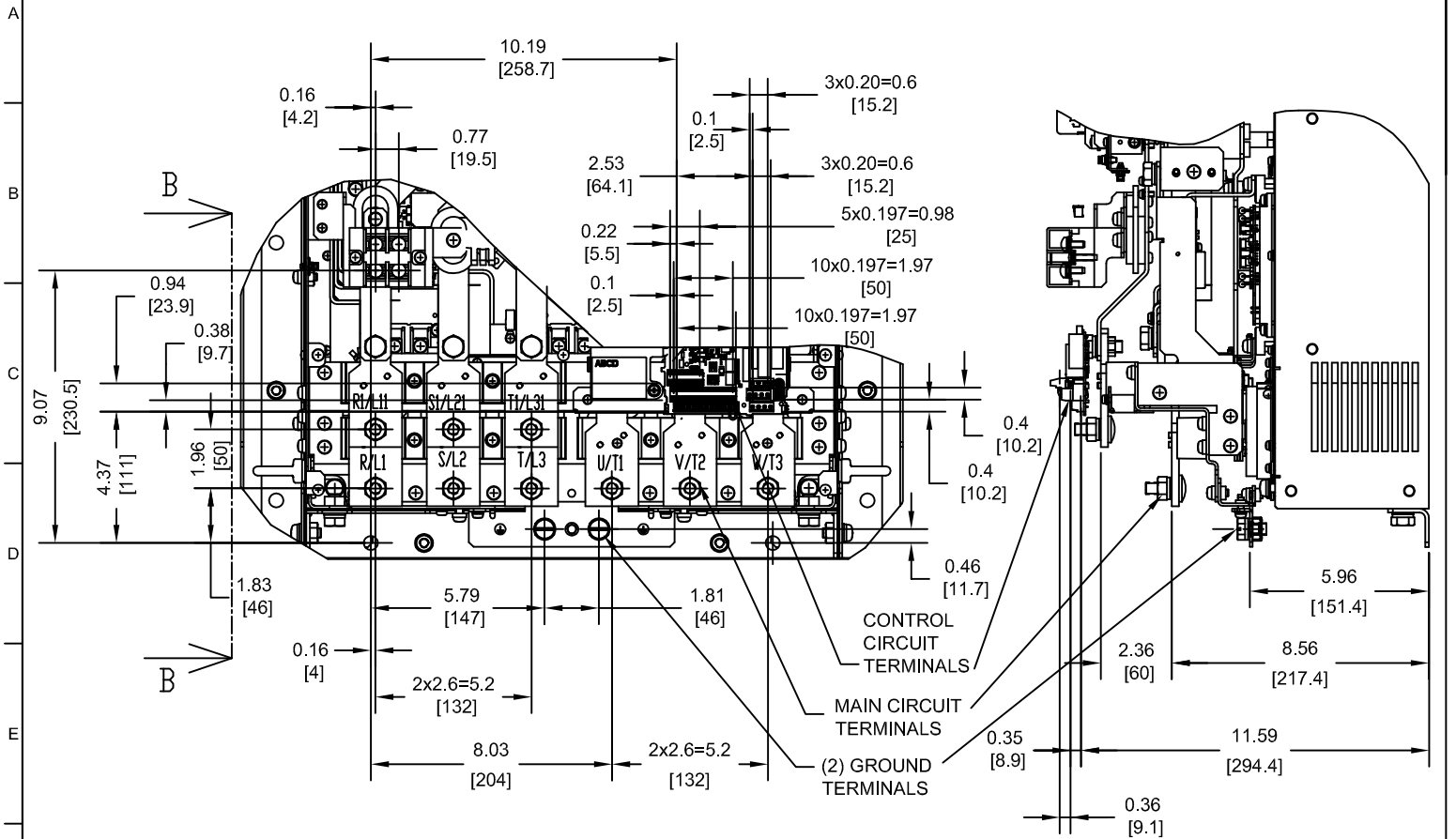


SECTION A-A

FOR ADDITIONAL DETAILS AND SPECIFICATIONS, CONSULT MANUAL

| | | | | | |
|--------------------------|-------------------|---|---|--|------------------|
| TOLERANCES / REFERENCES: | | | DRAWN: J. MATTAS DATE: 11-12-12 | TITLE: P1000 DIMENSION DRAWING FRAME SIZE 11 DESIGNED FOR IP54/TYPE 12 ENCLOSURES 2A0250U-0312U, 4A0208U, 4T0208U, 5A0125U-0145U | |
| | | | CHECKED: J. PIOTROWSKI DATE: 1-18-13 | | |
| | | TECH: J. BORJA DATE: 1-22-13 | | | SIZE: A |
| | | APPROVED: J. CAIRO DATE: 5-29-13 | | | REVISION: R00 |
| | | ORIGINAL DESIGN: - | | | PAGE: 3 of 5 |
| UNITS: IN[mm] | SCALE: BY VIEW | | | DRAWING #: DD.P1K.FR11.FLNG | |

TERMINAL AND WIRING DETAILS (SCALE 1:6)
PU4T0208U ONLY



SECTION B-B

TERMINAL AND WIRE SPECIFICATIONS FOR
MAIN CIRCUIT AND GROUND

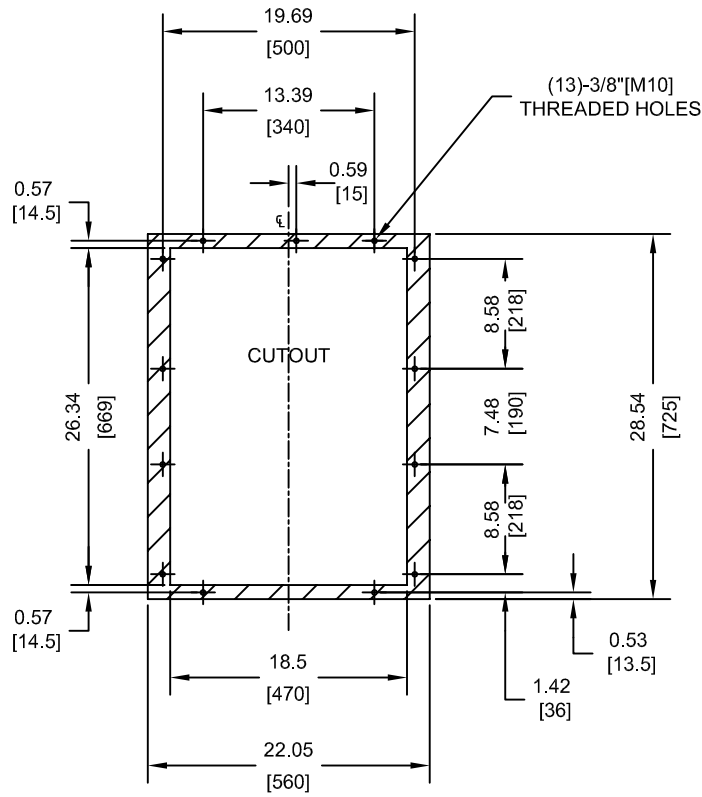
| MODEL # CIMR-PU | TERMINAL SYMBOL | TERMINAL SCREW | CLAMPING TORQUE lb.in.(N.m.) | WIRE RANGE AWG(mm ²) |
|--------------------|------------------------|-------------------|---------------------------------|-------------------------------------|
| 4T0208U | R/L1, S/L2, T/L3 | M10 | 159.3 TO 203.6 (18 TO 23) | SEE NOTE |
| | R1/L11, S1/L21, T1/L31 | | | |
| | U/T1, V/T2, W/T3 | M6 | 22.1 TO 26.6 (2.5 TO 3.0) | 22-1/0 (0.3-53.5) |
| | ⊖, ⊕3 | | | |
| | ⊕ | M10 | 159.3 TO 203.6 (18 TO 23) | SEE NOTE |

NOTE: REFER TO APPLICABLE CODES FOR PROPER WIRE TYPE AND SIZE

FOR ADDITIONAL DETAILS AND SPECIFICATIONS, CONSULT MANUAL

| | | | | | | | |
|----------------------------------|--|------------------------------|--------------------------------------|--|--|--|--|
| TOLERANCES / REFERENCES: | | | DRAWN: J. MATTAS 11-12-12 | DATE: 11-12-12 | TITLE: P1000 DIMENSION DRAWING FRAME SIZE 11 DESIGNED FOR IP54/TYPE 12 ENCLOSURES 2A0250U-0312U, 4A0208U, 4T0208U, 5A0125U-0145U | | |
| UNITS: IN[mm] | | | CHECKED: J. PIOTROWSKI 1-18-13 | DATE: 1-18-13 | SIZE: A REVISION: R00 PAGE: 4 of 5 | | |
| SCALE: BY VIEW | | TECH: J. BORJA 1-22-13 | DATE: 1-22-13 | DRAWING #: DD.P1K.FR11.FLNG | | | |
| APPROVED: J. CAIRO 5-29-13 | | ORIGINAL DESIGN: - | DATE: - | WITHOUT THE EXPRESS WRITTEN CONSENT OF YASKAWA AMERICA, INC. | | | |


PANEL CUTOUT FOR EXTERNAL HEATSINK MOUNTING CONFIGURATION (SCALE 1:15)



NOTES:

1. CUTOUT TOLERANCES:
+/- 0.02IN (0.5MM)
2. EXPOSED HEATSINK DEPTH
D=5.00" MINUS PANEL THICKNESS
3. MIN. RECOMMENDED PANEL THICKNESS: 10 GA

FOR ADDITIONAL DETAILS AND SPECIFICATIONS, CONSULT MANUAL

| | | | | | | | |
|--------------------------|-------------------|--|--------------------------------------|---------------------------------------|--|------------------|-----------------|
| TOLERANCES / REFERENCES: | |  <p>YASKAWA</p> <p><i>THIS DOCUMENT AND INFORMATION CONTAINED IN IT ARE CONFIDENTIAL, AND CANNOT BE COPIED OR DISCLOSED IN WHOLE OR IN PART WITHOUT THE EXPRESS WRITTEN CONSENT OF YASKAWA AMERICA, INC.</i></p> | DRAWN: J. MATTAS 11-12-12 | DATE: 11-12-12 | TITLE: P1000 DIMENSION DRAWING FRAME SIZE 11 DESIGNED FOR IP54/TYPE 12 ENCLOSURES 2A0250U-0312U, 4A0208U, 4T0208U, 5A0125U-0145U | | |
| | | | CHECKED: J. PIOTROWSKI 1-18-13 | DATE: 1-18-13 | | | |
| | | TECH: J. BORJA 1-22-13 | DATE: 1-22-13 | | | | |
| | | APPROVED: J. CAIRO 5-29-13 | DATE: 5-29-13 | | | | |
| | | ORIGINAL DESIGN: - | DATE: - | | | | |
| UNITS: IN[mm] | SCALE: BY VIEW | | | | SIZE: A | REVISION: R00 | PAGE: 5 of 5 |
| | | | | DRAWING #: DD.P1K.FR11.FLNG | | | |