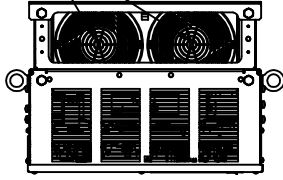
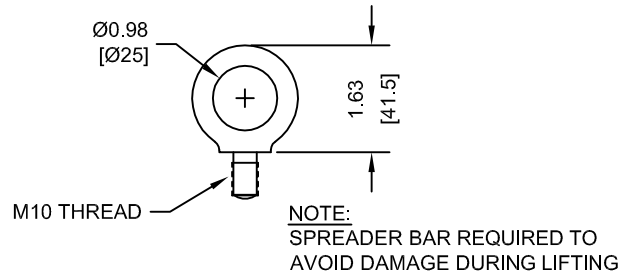


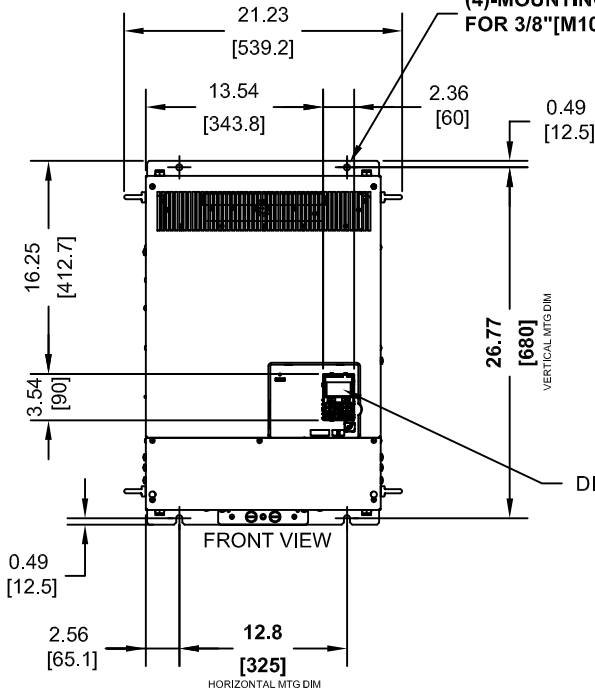
(2) EXTERNAL COOLING FANS



LIFTING AND EYEBOLT DETAILS

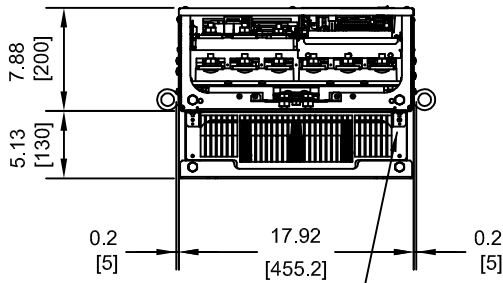
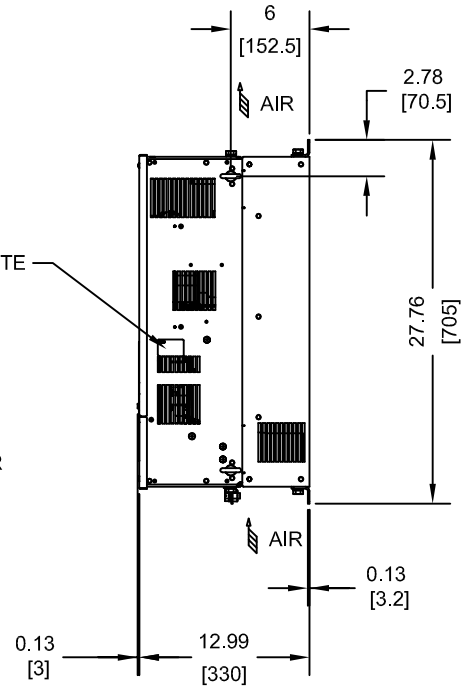


(4)-MOUNTING HOLES FOR 3/8" [M10] SCREWS



NAMEPLATE

DIGITAL OPERATOR



OPTIONAL CAPACITOR COVER
WHEN USING AN EXTERNAL MOUNT HEATSINK, UL COMPLIANCE REQUIRES COVERING EXPOSED CAPACITORS IN THE MAIN CIRCUIT TO PREVENT INJURY. CONSULT MANUAL FOR DETAILS.

MODEL # CIMR-PU	INPUT TYPE	VOLTAGE 3-PHASE (VAC)	OUTPUT CURRENT (A)	WEIGHT LBS (Kg)	HEAT LOSS (W) (Fc=2kHz)		
					INT	EXT	TOT
2A0250AXX	6 PULSE	200/240	250	167 (76)	594	1764	2358
2A0312AXX	6 PULSE		312	176 (80)	665	2020	2685
4A0208AXX	6 PULSE	380/480	208	174 (79)	607	1800	2407
4T0208AXX	12 PULSE		208	166 (75)	553	1746	2299
5A0125AXX	6 PULSE	500/600	125	174 (79)	537	1641	2178
5A0145AXX	6 PULSE		145	174 (79)	603	1860	2463

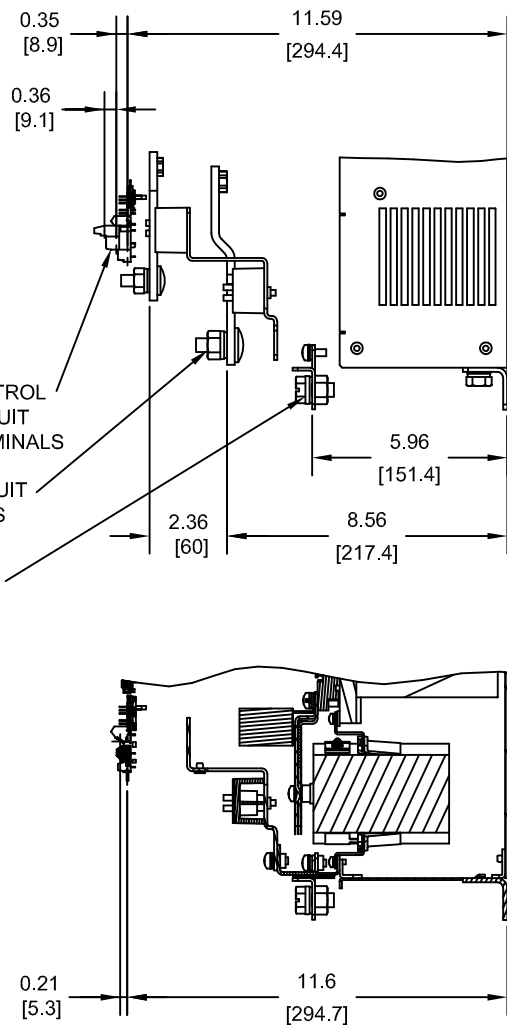
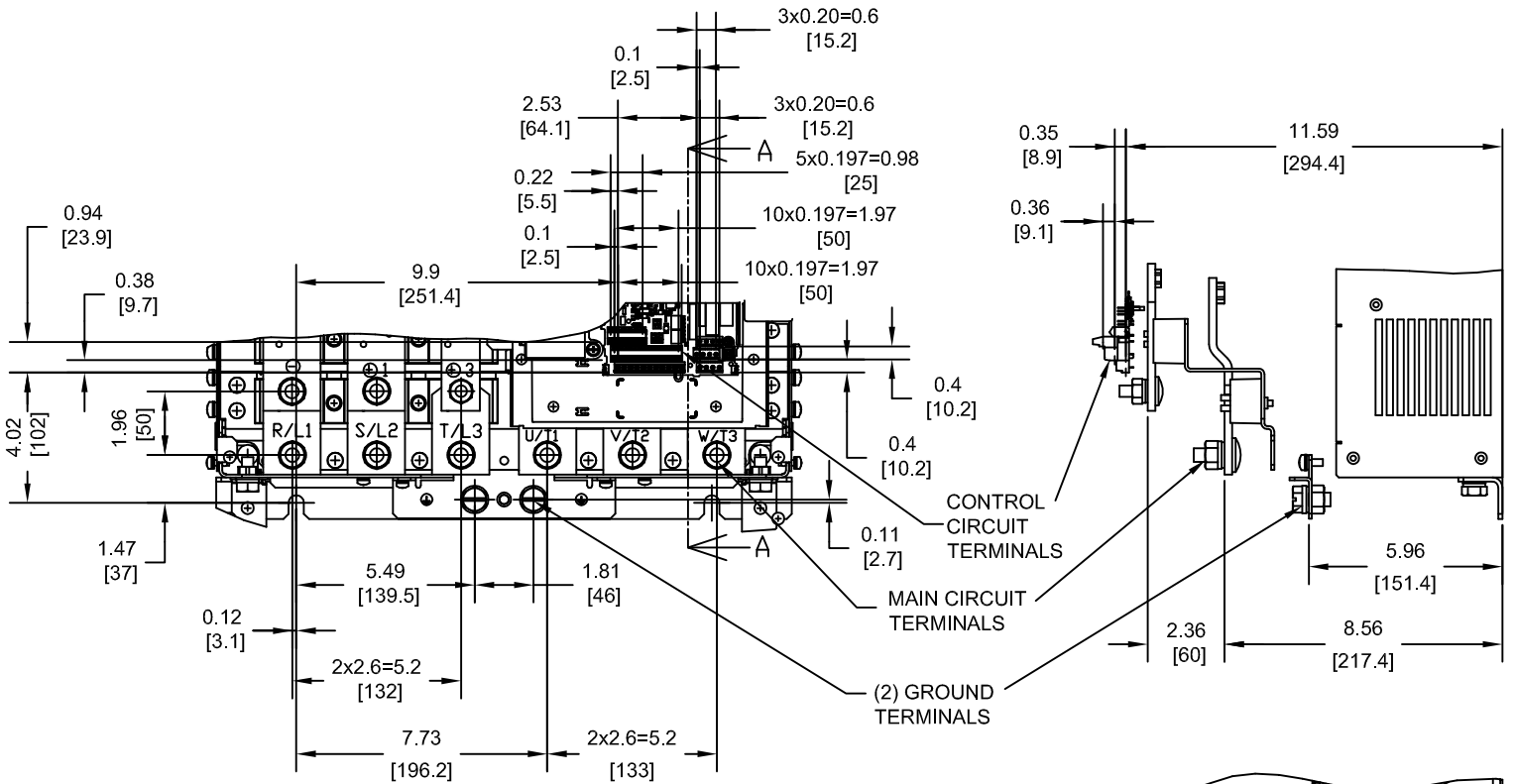
NOTES:
XX DENOTES AA-ZZ

INT=INTERNAL COMPONENTS
EXT=EXTERNAL HEATSINK
TOT=TOTAL

FOR ADDITIONAL DETAILS AND SPECIFICATIONS, CONSULT MANUAL

TOLERANCES / REFERENCES:		<p>THIS DOCUMENT AND INFORMATION CONTAINED IN IT ARE CONFIDENTIAL, AND CANNOT BE COPIED OR DISCLOSED IN WHOLE OR IN PART WITHOUT THE EXPRESS WRITTEN CONSENT OF YASKAWA AMERICA, INC.</p>	DRAWN: J. MATTAS DATE 12-9-11	TITLE: P1000 DIMENSION DRAWING FRAME SIZE 11 IP00 ENCLOSURE	
UNITS: IN [mm]			CHECKED: J. PIOTROWSKI DATE 1-5-12	TECH: J. BORJA DATE 1-9-12	SIZE A
SCALE: 1:15			APPROVED: J. CAIRO DATE 1-10-12	ORIGINAL DESIGN: -	REVISION R01
					PAGE 1 of 5
				DRAWING #: DD.P1K.FR11.IP00	

TERMINAL AND WIRING DETAILS (SCALE 1:6)
 PU2A0250A AND PU2A0312A ONLY



SECTION A-A

TERMINAL AND WIRE SPECIFICATIONS FOR
 MAIN CIRCUIT AND GROUND

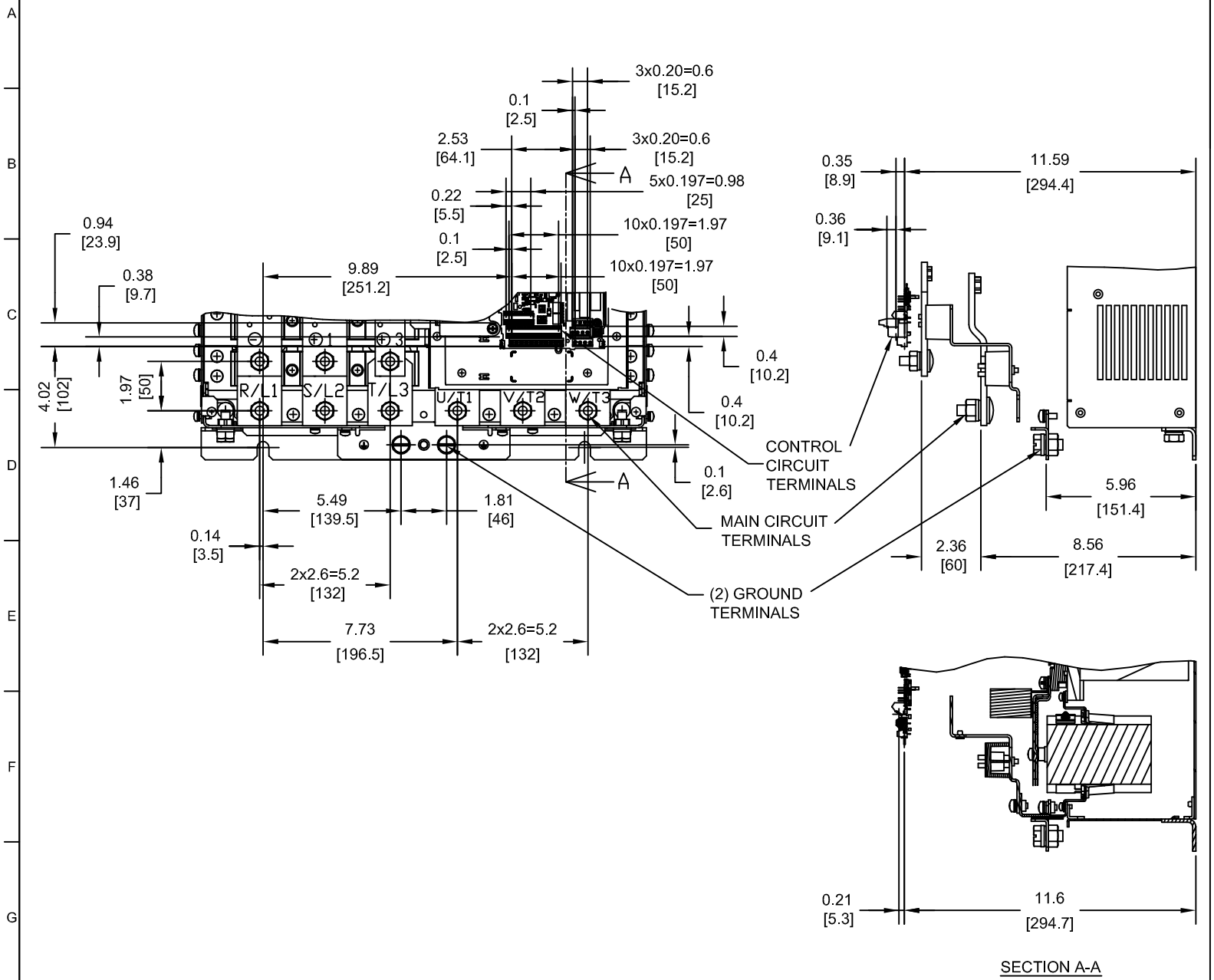
MODEL # CIMR-PU	TERMINAL SYMBOL	TERMINAL SCREW	CLAMPING TORQUE lb.in.(N.m.)
2A0250 2A0312	R/L1, S/L2, T/L3	M12	283.2 TO 354.0 (32 TO 40)
	U/T1, V/T2, W/T3		
	⊖, ⊕1	M10	
	⊕3		
	⊕		
	⊕	M12	283.2 TO 354.0 (32 TO 40)

NOTE: REFER TO APPLICABLE CODES FOR PROPER WIRE TYPE AND SIZE

FOR ADDITIONAL DETAILS AND SPECIFICATIONS, CONSULT MANUAL

TOLERANCES / REFERENCES:			DRAWN: J. MATTAS DATE: 12-9-11	TITLE: P1000 DIMENSION DRAWING FRAME SIZE 11 IP00 ENCLOSURE
UNITS: IN [mm]			CHECKED: J. PIOTROWSKI DATE: 1-5-12	REVISION R01
SCALE: BY VIEW		THIS DOCUMENT AND INFORMATION CONTAINED IN IT ARE CONFIDENTIAL, AND CANNOT BE COPIED OR DISCLOSED IN WHOLE OR IN PART WITHOUT THE EXPRESS WRITTEN CONSENT OF YASKAWA AMERICA, INC.	TECH: J. BORJA DATE: 1-9-12	ORIGINAL DESIGN: J. CAIRO DATE: 1-10-12
			SIZE A	PAGE 2 of 5
			DRAWING #: DD.P1K.FR11.IP00	

TERMINAL AND WIRING DETAILS (SCALE 1:6)
 PU4A0208A, PU5A0125A AND PU5A0145A ONLY



SECTION A-A

TERMINAL AND WIRE SPECIFICATIONS FOR
 MAIN CIRCUIT AND GROUND

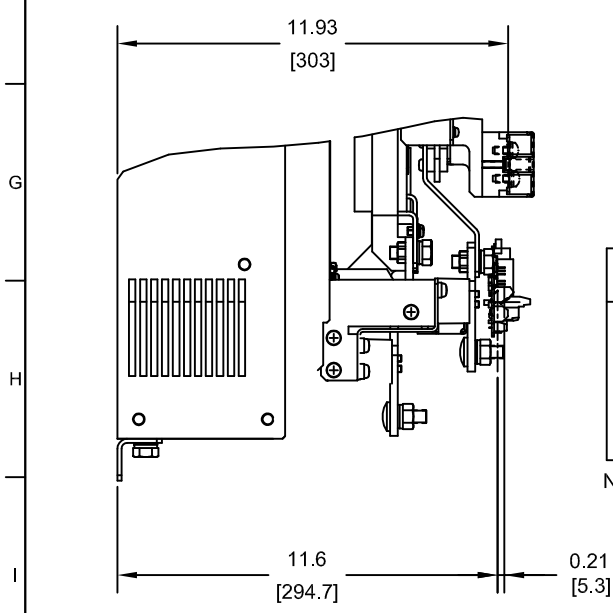
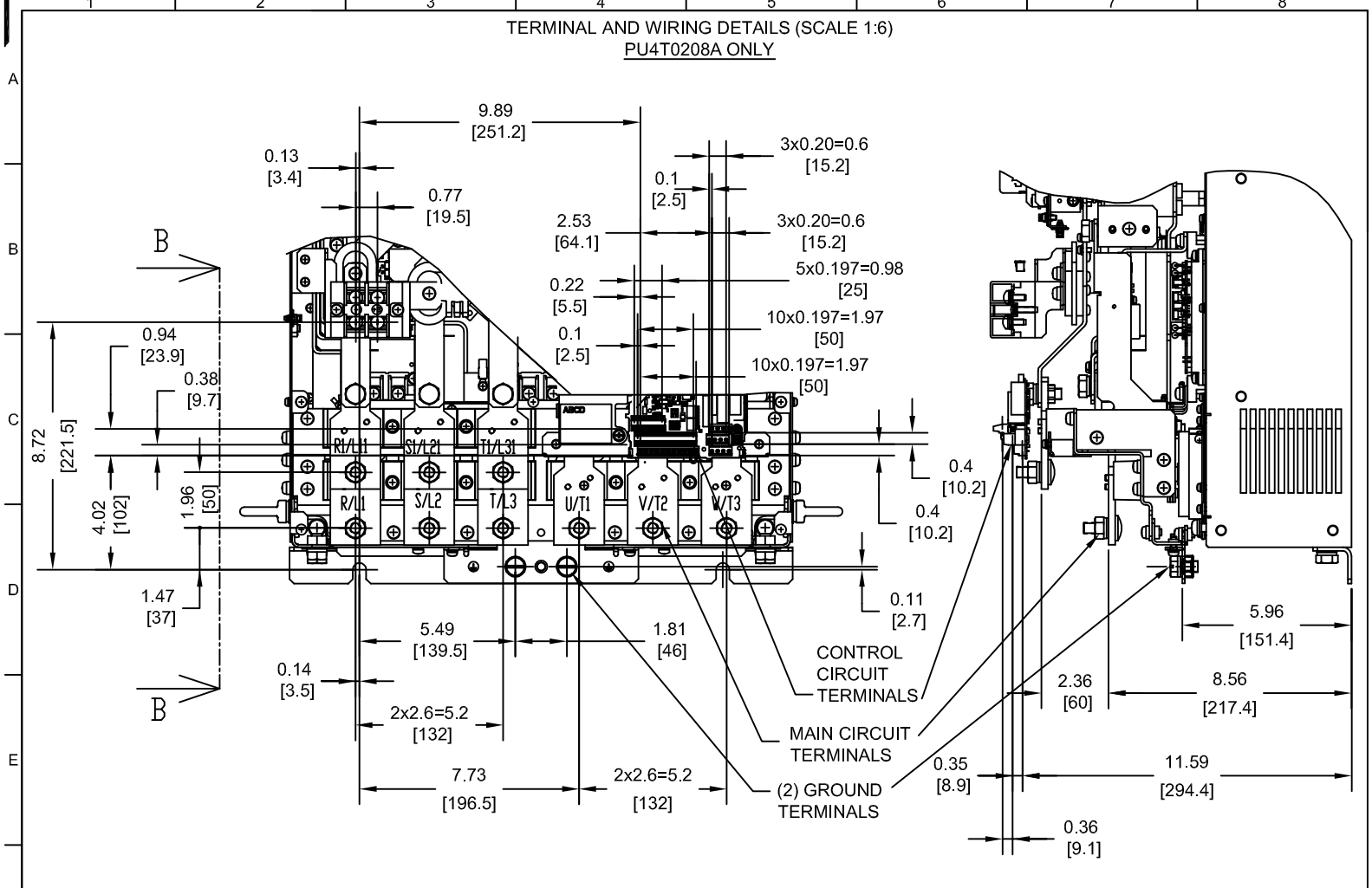
MODEL # CIMR-PU	TERMINAL SYMBOL	TERMINAL SCREW	CLAMPING TORQUE lb.in.(N.m.)
4A0208A 5A0125A 5A0145A	R/L1, S/L2, T/L3	M10	159.3 TO 203.6 (18 TO 23)
	U/T1, V/T2, W/T3		
	⊖, ⊕1	M10	159.3 TO 203.6 (18 TO 23)
	⊕3	M10	159.3 TO 203.6 (18 TO 23)
	⊕	M10	159.3 TO 203.6 (18 TO 23)

NOTE: REFER TO APPLICABLE CODES FOR PROPER WIRE TYPE AND SIZE

FOR ADDITIONAL DETAILS AND SPECIFICATIONS, CONSULT MANUAL

TOLERANCES / REFERENCES:			DRAWN: J. MATTAS DATE: 12-9-11	TITLE: P1000 DIMENSION DRAWING FRAME SIZE 11 IP00 ENCLOSURE 2A0250A-0312A, 4A0208A, 4T0208A, 5A0125A-0145A
UNITS: IN [mm]	SCALE: BY VIEW		CHECKED: J. PIOTROWSKI DATE: 1-5-12	REVISION R01
THIS DOCUMENT AND INFORMATION CONTAINED IN IT ARE CONFIDENTIAL, AND CANNOT BE COPIED OR DISCLOSED IN WHOLE OR IN PART WITHOUT THE EXPRESS WRITTEN CONSENT OF YASKAWA AMERICA, INC.		TECH: J. BORJA DATE: 1-9-12	APPROVED: J. CAIRO DATE: 1-10-12	DRAWING #: DD.P1K.FR11.IP00
		ORIGINAL DESIGN: -	DATE: -	

TERMINAL AND WIRING DETAILS (SCALE 1:6)
 PU4T0208A ONLY



SECTION B-B

TERMINAL AND WIRE SPECIFICATIONS FOR
 MAIN CIRCUIT AND GROUND

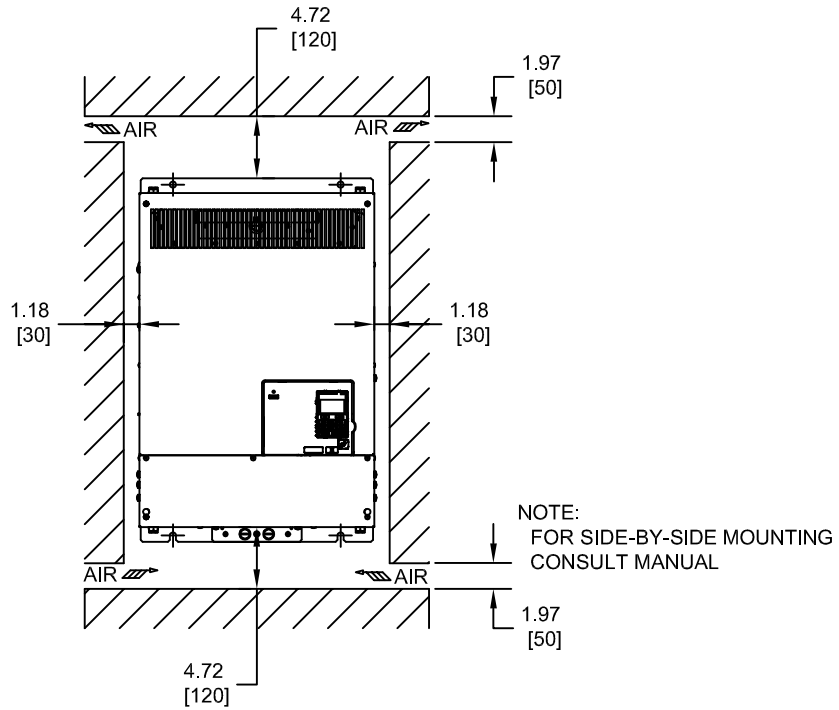
MODEL # CIMR-PU	TERMINAL SYMBOL	TERMINAL SCREW	CLAMPING TORQUE lb.in.(N.m.)	WIRE RANGE AWG(mm ²)
4T0208A	R/L1, S/L2, T/L3	M10	159.3 TO 203.6 (18 TO 23)	SEE NOTE
	R1/L11, S1/L21, T1/L31			
	U/T1, V/T2, W/T3			
	⊖, ⊕3	M6	22.1 TO 26.6 (2.5 TO 3.0)	22-1/0 (0.3-53.5)
	⊕	M10	159.3 TO 203.6 (18 TO 23)	SEE NOTE

NOTE: REFER TO APPLICABLE CODES FOR PROPER WIRE TYPE AND SIZE

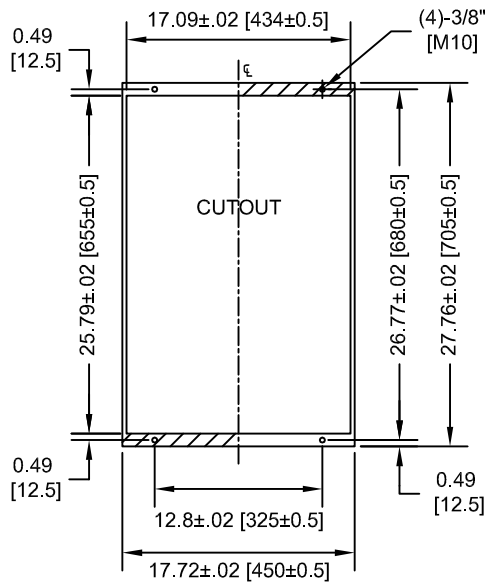
FOR ADDITIONAL DETAILS AND SPECIFICATIONS, CONSULT MANUAL

TOLERANCES / REFERENCES:		DRAWN:	J. MATTAS	DATE:	12-9-11	TITLE: P1000 DIMENSION DRAWING FRAME SIZE 11 IP00 ENCLOSURE 2A0250A-0312A, 4A0208A, 4T0208A, 5A0125A-0145A			
		CHECKED:	J. PIOTROWSKI	DATE:	1-5-12				
		TECH:	J. BORJA	DATE:	1-9-12				
		APPROVED:	J. CAIRO	DATE:	1-10-12				
UNITS: IN [mm]	SCALE: BY VIEW	ORIGINAL DESIGN:	-	DATE:	-	DRAWING #: DD.P1K.FR11.IP00			
				SIZE:	A	REVISION:	R01	PAGE:	4 of 5

MINIMUM INSTALLATION CLEARANCES (SCALE 1:15)



PANEL CUTOUT FOR EXTERNAL HEATSINK MOUNTING CONFIGURATION (SCALE 1:15)



NOTE:
EXPOSED HEATSINK DEPTH
D=5.12" MINUS PANEL THICKNESS

FOR ADDITIONAL DETAILS AND SPECIFICATIONS, CONSULT MANUAL

TOLERANCES / REFERENCES:			DRAWN: J. MATTAS	DATE 12-9-11	TITLE: P1000 DIMENSION DRAWING	
			CHECKED: J. PIOTROWSKI	DATE 1-5-12	FRAME SIZE 11	
		TECH: J. BORJA		DATE 1-9-12	IP00 ENCLOSURE	
		APPROVED: J. CAIRO		DATE 1-10-12	2A0250A-0312A, 4A0208A, 4T0208A, 5A0125A-0145A	
UNITS: IN [mm]	SCALE: BY VIEW	ORIGINAL DESIGN: -		DATE -	SIZE A	REVISION R01
					PAGE 5 of 5	DRAWING #: DD.P1K.FR11.IP00