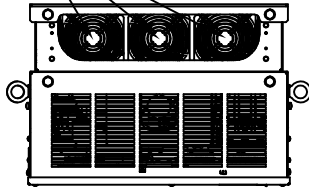
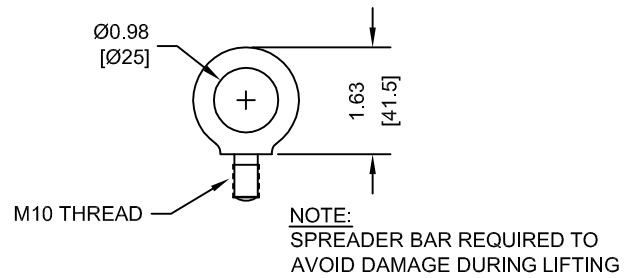


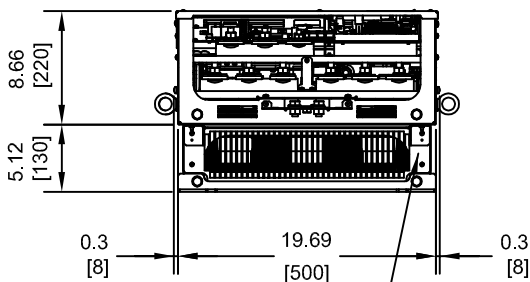
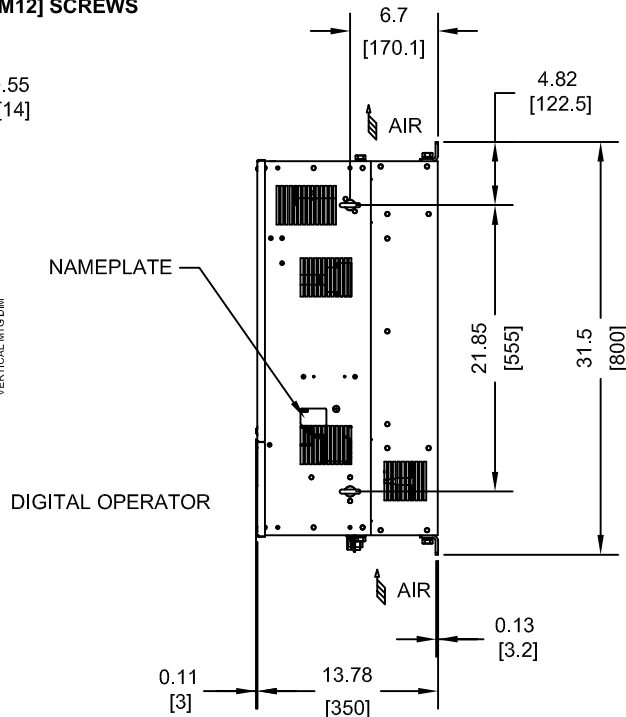
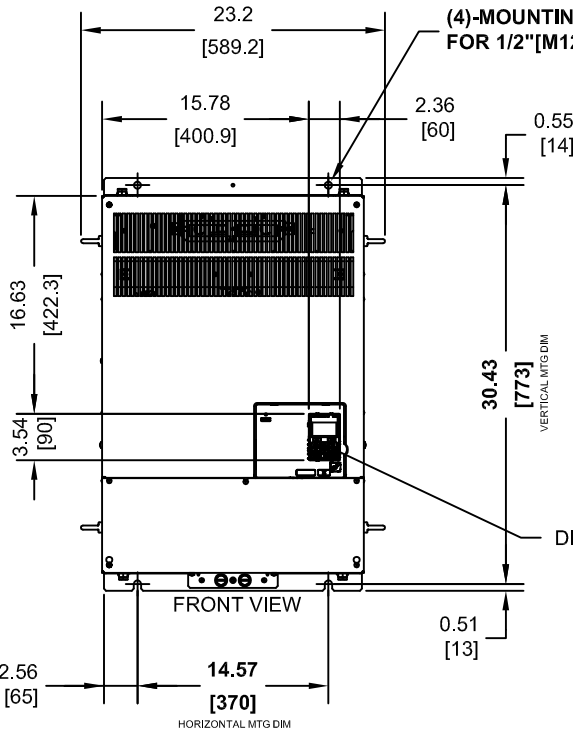
(3) EXTERNAL COOLING FANS



LIFTING AND EYEBOLT DETAILS



(4)-MOUNTING HOLES FOR 1/2" [M12] SCREWS



MODEL # CIMR-PU	INPUT TYPE	VOLTAGE 3-PHASE (VAC)	OUTPUT CURRENT (A)	WEIGHT LBS (Kg)	HEAT LOSS (W) (Fc=2kHz)		
					INT	EXT	TOT
2A0360AXX	6 PULSE	200/240	360	216 (98)	894	2698	3592
2A0415AXX	6 PULSE		415	218 (99)	954	2672	3626
4A0250AXX	6 PULSE	380/480	250	211 (96)	803	2379	3182
4A0296AXX	6 PULSE		296	224 (102)	905	2448	3353
4A0362AXX	6 PULSE		362	235 (107)	1130	3168	4298
4T0250AXX	12 PULSE		250	203 (92)	729	2305	3034
4T0296AXX	12 PULSE	500/600	296	203 (92)	772	2308	3080
4T0362AXX	12 PULSE		362	208 (95)	874	3168	4042
5A0192AXX	6 PULSE	500/600	192	235 (107)	769	2420	3189
5A0242AXX	6 PULSE		242	235 (107)	1131	3100	4231

NOTES:  
XX DENOTES AA-ZZ

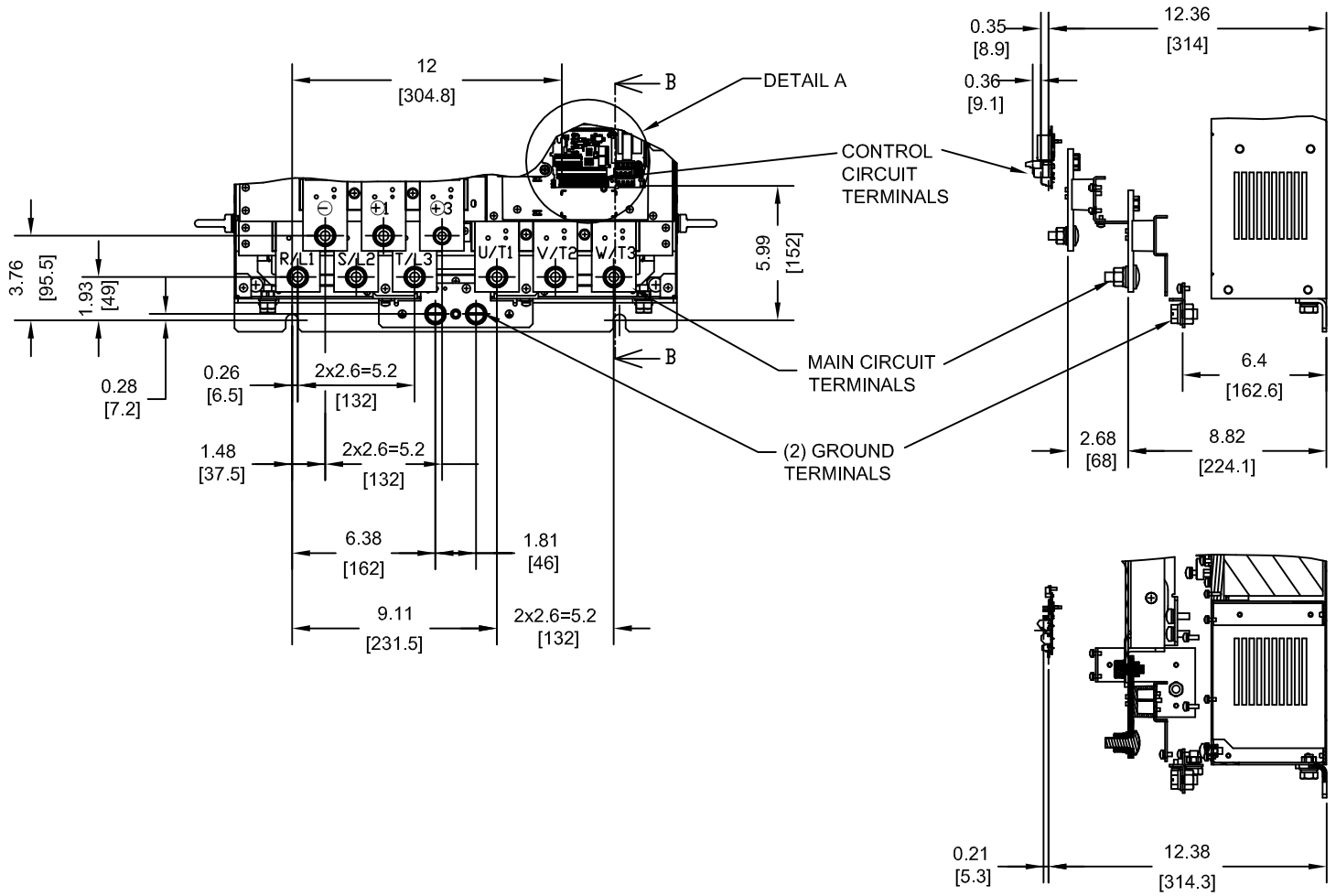
INT=INTERNAL COMPONENTS  
EXT=EXTERNAL HEATSINK  
TOT=TOTAL

OPTIONAL CAPACITOR COVER  
WHEN USING AN EXTERNAL MOUNT HEATSINK, UL COMPLIANCE REQUIRES COVERING EXPOSED CAPACITORS IN THE MAIN CIRCUIT TO PREVENT INJURY. CONSULT MANUAL FOR DETAILS.

FOR ADDITIONAL DETAILS AND SPECIFICATIONS, CONSULT MANUAL

TOLERANCES / REFERENCES:			DRAWN: J. MATTAS DATE 12-9-11	TITLE: P1000 DIMENSION DRAWING FRAME SIZE 12 IP00 ENCLOSURE
UNITS: IN [mm]	SCALE: 1:15		CHECKED: J. PIOTROWSKI DATE 1-5-12	2A0360A-0415A, 4A0250A-0362A, 4T0250A-0362A, 5A0192A-0242A
THIS DOCUMENT AND INFORMATION CONTAINED IN IT ARE CONFIDENTIAL, AND CANNOT BE COPIED OR DISCLOSED IN WHOLE OR IN PART WITHOUT THE EXPRESS WRITTEN CONSENT OF YASKAWA AMERICA, INC.		TECH: J. BORJA DATE 1-9-12	SIZE A	REVISION R01
		APPROVED: J. CAIRO DATE 1-10-12	ORIGINAL DESIGN: -	PAGE 1 of 5
		DRAWING #: <b>DD.P1K.FR12.IP00</b>		

TERMINAL AND WIRING DETAILS (SCALE 1:8)  
 PU2A0360A, PU2A0415A, PU4A0296A, PU4A0362A, PU5A0192A & PU5A0242A ONLY

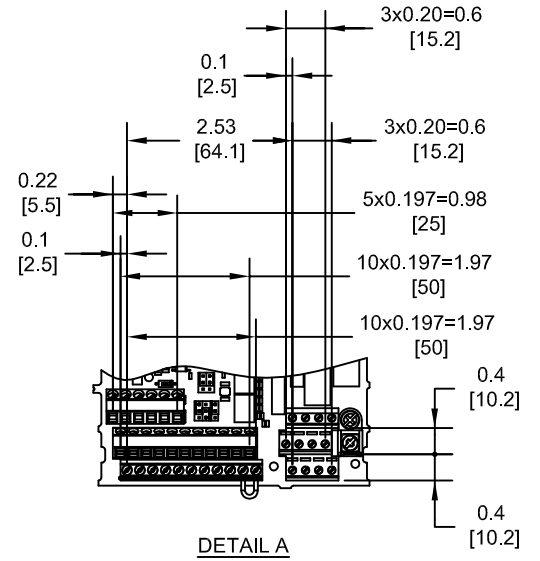


SECTION B-B

TERMINAL AND WIRE SPECIFICATIONS FOR  
 MAIN CIRCUIT AND GROUND

MODEL # CIMR-PU	TERMINAL SYMBOL	TERMINAL SCREW	CLAMPING TORQUE lb.in.(N.m.)
2A0360A	R/L1, S/L2, T/L3	M12	283.2 TO 354.0 (32 TO 40)
2A0415A	U/T1, V/T2, W/T3		
4A0296A	⊖, ⊕1		
4A0362A	⊕3	M10	159.3 TO 203.6 (18 TO 23)
5A0192A	⊕	M12	283.2 TO 354.0 (32 TO 40)
5A0242A	⊕		

NOTE: REFER TO APPLICABLE CODES FOR PROPER WIRE TYPE AND SIZE

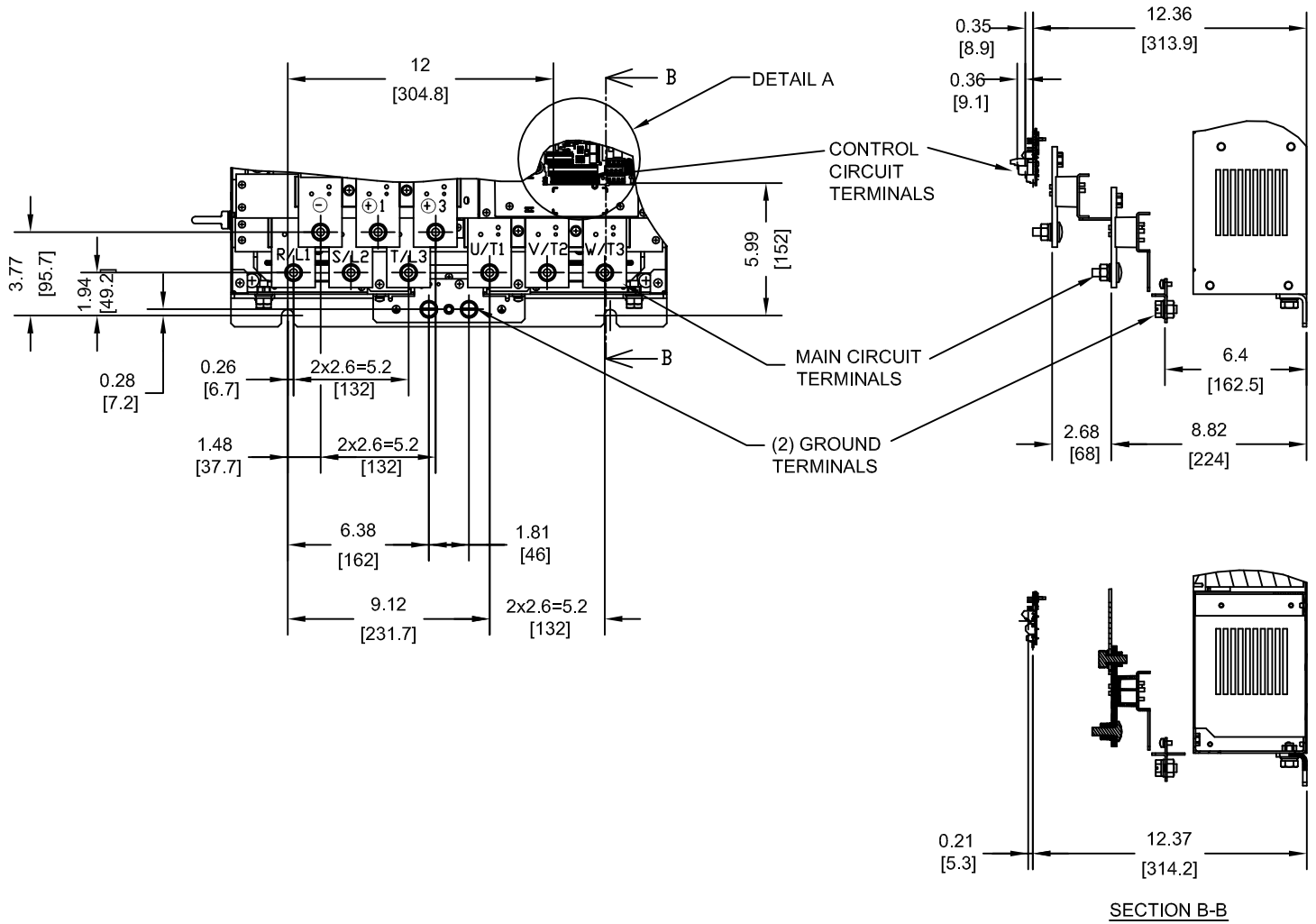


DETAIL A

FOR ADDITIONAL DETAILS AND SPECIFICATIONS, CONSULT MANUAL

TOLERANCES / REFERENCES:			DRAWN: J. MATTAS DATE 12-9-11	TITLE: P1000 DIMENSION DRAWING FRAME SIZE 12 IP00 ENCLOSURE
UNITS: IN [mm]	SCALE: BY VIEW		CHECKED: J. PIOTROWSKI DATE 1-5-12	DATE 1-9-12
THIS DOCUMENT AND INFORMATION CONTAINED IN IT ARE CONFIDENTIAL, AND CANNOT BE COPIED OR DISCLOSED IN WHOLE OR IN PART WITHOUT THE EXPRESS WRITTEN CONSENT OF YASKAWA AMERICA, INC.		TECH: J. BORJA DATE 1-9-12	APPROVED: J. CAIRO DATE 1-10-12	ORIGINAL DESIGN: -
		ORIGINAL DESIGN: -	DATE -	DRAWING #: DD.P1K.FR12.IP00
			SIZE A	PAGE 2 of 5

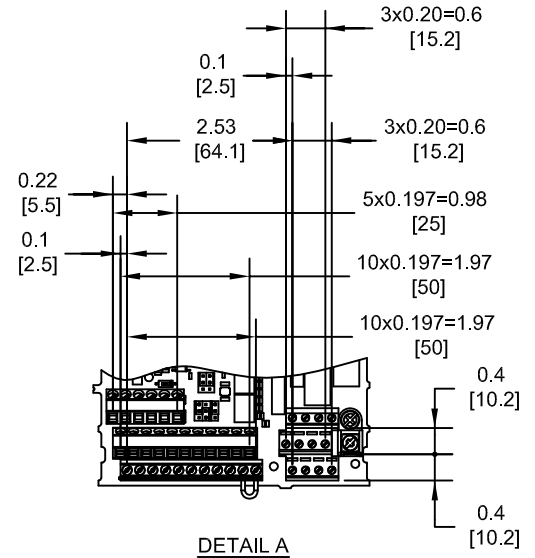
TERMINAL AND WIRING DETAILS (SCALE 1:8)  
PU4A0250A ONLY



TERMINAL AND WIRE SPECIFICATIONS FOR  
MAIN CIRCUIT AND GROUND

MODEL # CIMR-PU	TERMINAL SYMBOL	TERMINAL SCREW	CLAMPING TORQUE lb.in.(N.m.)
4A0250A	R/L1, S/L2, T/L3	M10	159.3 TO 203.6 (18 TO 23)
	U/T1, V/T2, W/T3		
	⊖, ⊕1		
	⊕3	M10	
	⊕	M10	

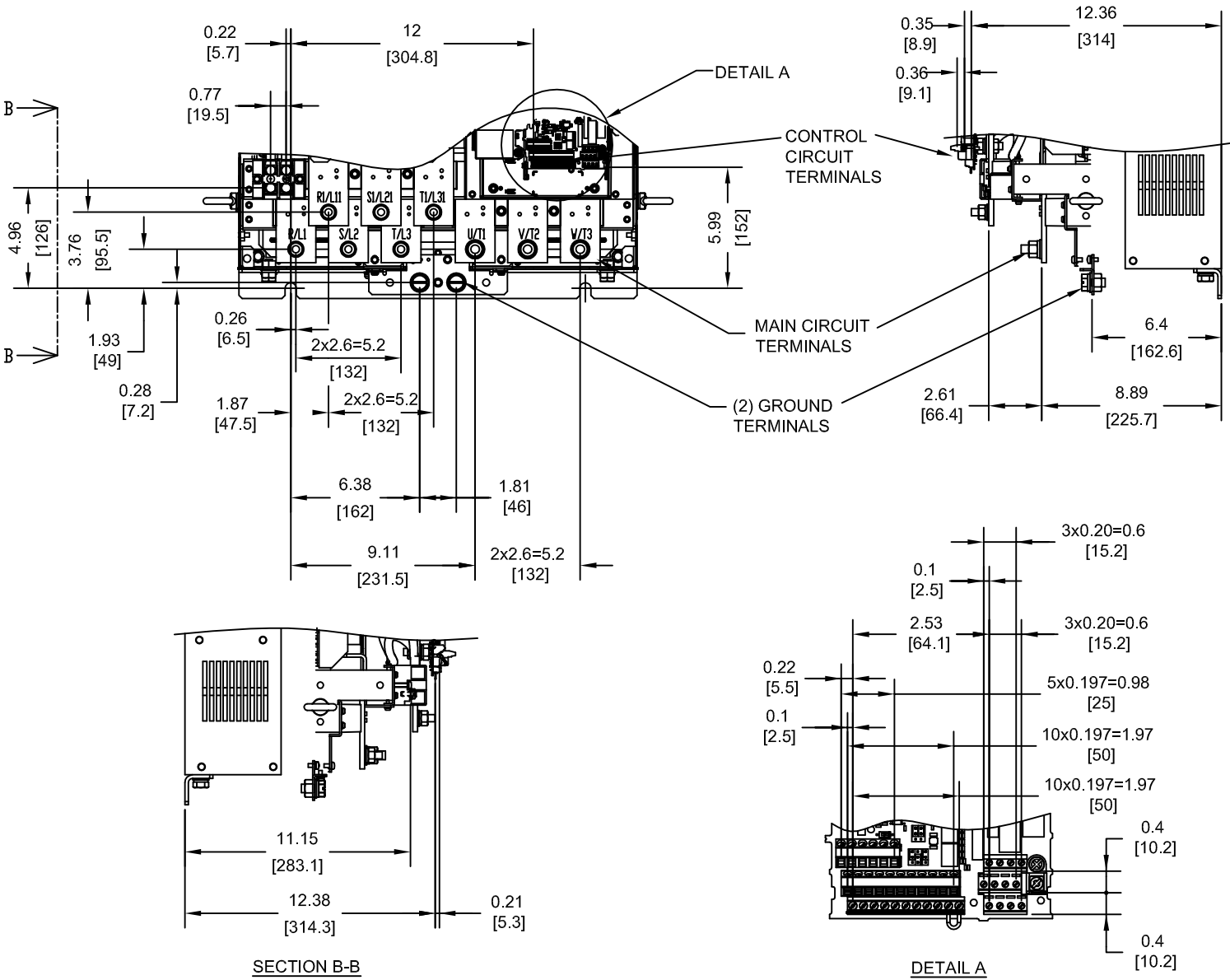
NOTE: REFER TO APPLICABLE CODES FOR PROPER WIRE TYPE AND SIZE



FOR ADDITIONAL DETAILS AND SPECIFICATIONS, CONSULT MANUAL

TOLERANCES / REFERENCES:			DRAWN: J. MATTAS	DATE 12-9-11	TITLE: P1000 DIMENSION DRAWING FRAME SIZE 12 IP00 ENCLOSURE 2A0360A-0415A, 4A0250A-0362A, 4T0250A-0362A, 5A0192A-0242A
UNITS: IN [mm]			SCALE: BY VIEW	CHECKED: J. PIOTROWSKI	
THIS DOCUMENT AND INFORMATION CONTAINED IN IT ARE CONFIDENTIAL, AND CANNOT BE COPIED OR DISCLOSED IN WHOLE OR IN PART WITHOUT THE EXPRESS WRITTEN CONSENT OF YASKAWA AMERICA, INC.		TECH: J. BORJA	DATE 1-9-12	APPROVED: J. CAIRO	DATE 1-10-12
		ORIGINAL DESIGN: -	DATE -	SIZE A	REVISION R01
		DRAWING #: <b>DD.P1K.FR12.IP00</b>		PAGE 3 of 5	

TERMINAL AND WIRING DETAILS (SCALE 1:8)  
 PU4T0250A, PU4T0296A & PU4T0362A ONLY



TERMINAL AND WIRE SPECIFICATIONS FOR  
 MAIN CIRCUIT AND GROUND

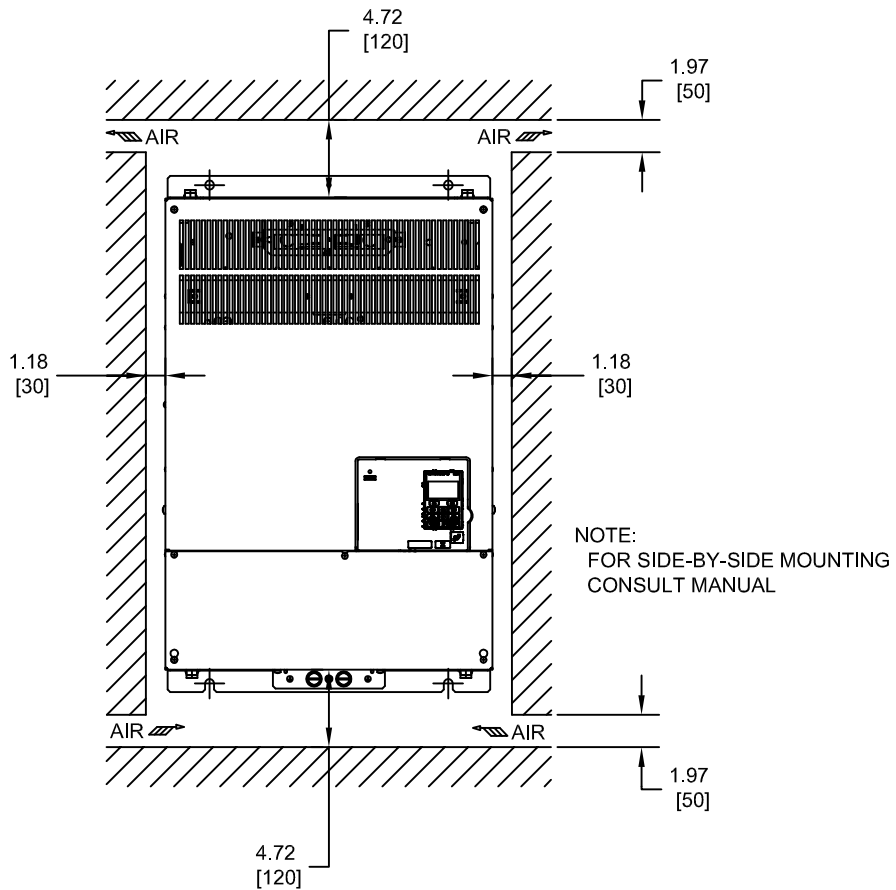
MODEL # CIMR-PU	TERMINAL SYMBOL	TERMINAL SCREW	CLAMPING TORQUE lb.in.(N.m.)	WIRE RANGE AWG(mm <sup>2</sup> )
4T0250A	R/L1, S/L2, T/L3	M10	159 TO 204 (18 TO 23)	SEE NOTE
	R1/L11, S1/L21, T1/L31			
	U/T1, V/T2, W/T3			
	⊖, ⊕3	M6	22.1 TO 26.6 (2.5 TO 3.0)	22-1/0 (0.3-53.5)
4T0296A 4T0362A	R/L1, S/L2, T/L3	M10	159 TO 204 (18 TO 23)	SEE NOTE
	R1/L11, S1/L21, T1/L31			
	U/T1, V/T2, W/T3			
	⊖, ⊕3	M6	22.1 TO 26.6 (2.5 TO 3.0)	22-1/0 (0.3-53.5)
	⊕	M12	283.2 TO 354.0 (32 TO 40)	SEE NOTE

NOTE: REFER TO APPLICABLE CODES FOR PROPER WIRE TYPE AND SIZE

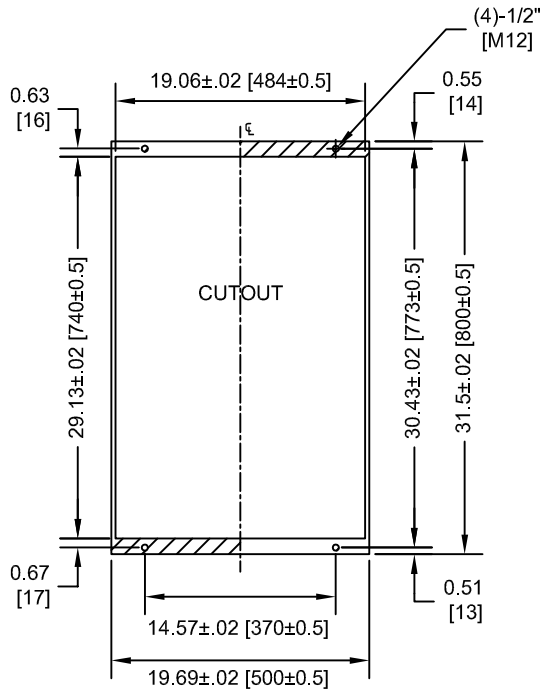
FOR ADDITIONAL DETAILS AND SPECIFICATIONS, CONSULT MANUAL

TOLERANCES / REFERENCES:			DRAWN: J. MATTAS CHECKED: J. PIOTROWSKI TECH: J. BORJA APPROVED: J. CAIRO ORIGINAL DESIGN: -	DATE 12-9-11 DATE 1-5-12 DATE 1-9-12 DATE 1-10-12 DATE -	TITLE: P1000 DIMENSION DRAWING FRAME SIZE 12 IP00 ENCLOSURE 2A0360A-0415A, 4A0250A-0362A, 4T0250A-0362A, 5A0192A-0242A
UNITS: IN [mm]	SCALE: BY VIEW		THIS DOCUMENT AND INFORMATION CONTAINED IN IT ARE CONFIDENTIAL, AND CANNOT BE COPIED OR DISCLOSED IN WHOLE OR IN PART WITHOUT THE EXPRESS WRITTEN CONSENT OF YASKAWA AMERICA, INC.	SIZE A REVISION R01 PAGE 4 of 5	DRAWING #: <b>DD.P1K.FR12.IP00</b>

MINIMUM INSTALLATION CLEARANCES (SCALE 1:12)



PANEL CUTOUT FOR EXTERNAL HEATSINK MOUNTING CONFIGURATION (SCALE 1:15)



NOTE:  
EXPOSED HEATSINK DEPTH  
D=5.12" MINUS PANEL THICKNESS

FOR ADDITIONAL DETAILS AND SPECIFICATIONS, CONSULT MANUAL

TOLERANCES / REFERENCES:			DRAWN: J. MATTAS CHECKED: J. PIOTROWSKI TECH: J. BORJA APPROVED: J. CAIRO ORIGINAL DESIGN: -	DATE: 12-9-11 DATE: 1-5-12 DATE: 1-9-12 DATE: 1-10-12 DATE: -	TITLE: P1000 DIMENSION DRAWING FRAME SIZE 12 IP00 ENCLOSURE 2A0360A-0415A, 4A0250A-0362A, 4T0250A-0362A, 5A0192A-0242A
UNITS: IN [mm]	SCALE: BY VIEW		THIS DOCUMENT AND INFORMATION CONTAINED IN IT ARE CONFIDENTIAL, AND CANNOT BE COPIED OR DISCLOSED IN WHOLE OR IN PART WITHOUT THE EXPRESS WRITTEN CONSENT OF YASKAWA AMERICA, INC.	SIZE: A REVISION: R01 PAGE: 5 of 5	DRAWING #: <b>DD.P1K.FR12.IP00</b>