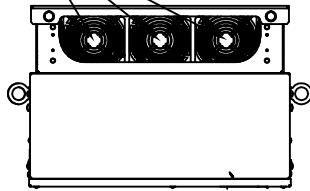
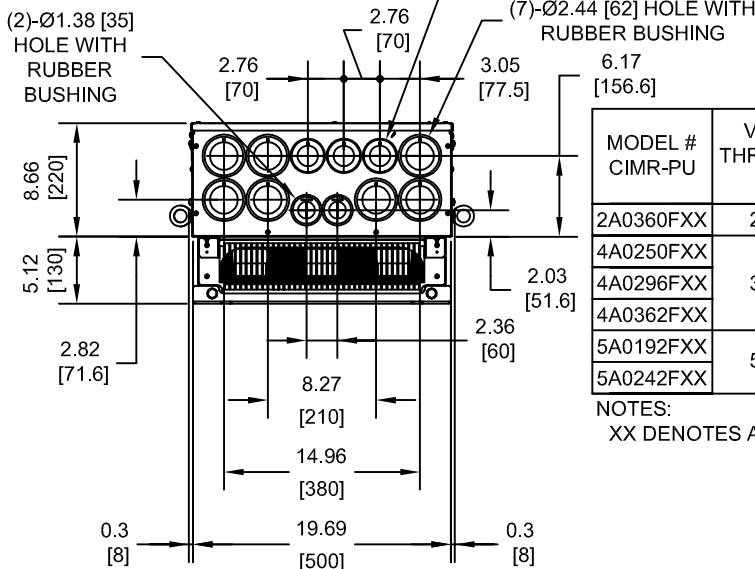
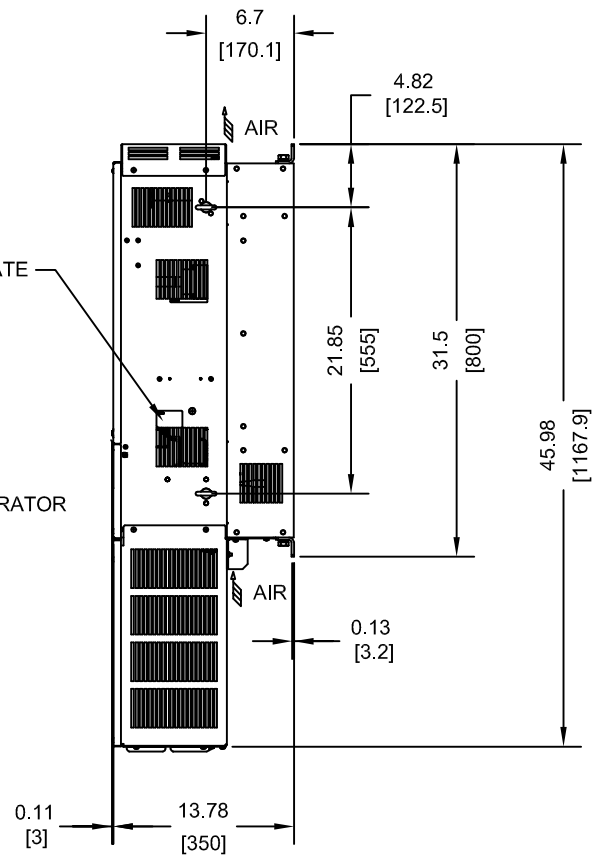
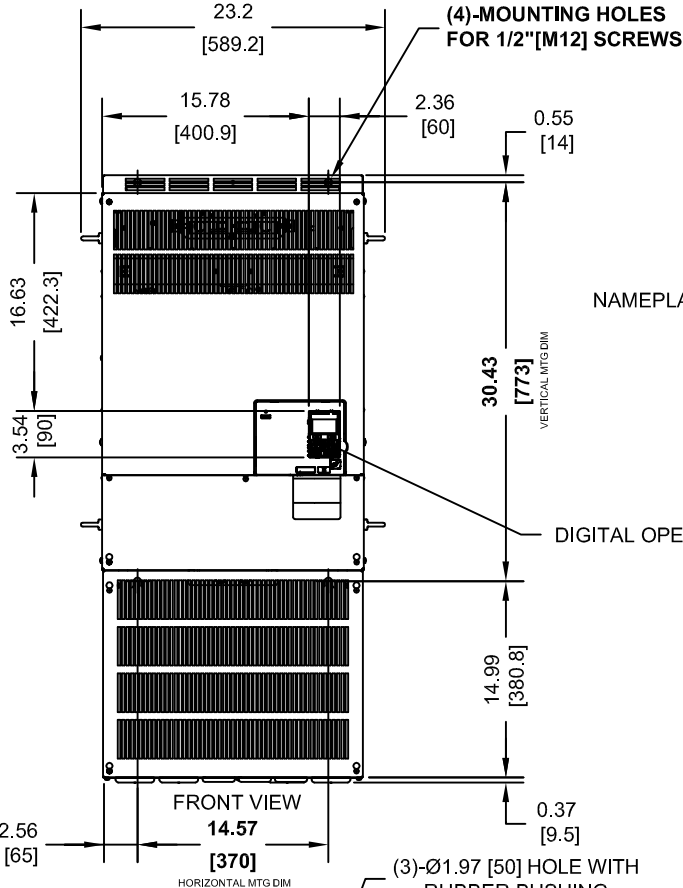
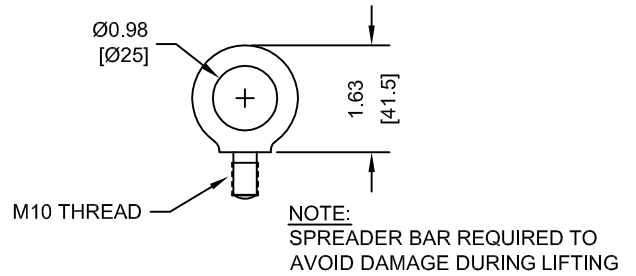


(3) EXTERNAL COOLING FANS



LIFTING AND EYEBOLT DETAILS



MODEL # CIMR-PU	VOLTAGE THREE-PHASE (VAC)	OUTPUT CURRENT (A)	WEIGHT LBS (Kg)	HEAT LOSS (W) (Fc=2kHz)		
				INT	EXT	TOT
2A0360FXX	200/240	360	238 (108)	894	2698	3592
4A0250FXX	380/480	250	233 (106)	803	2379	3182
4A0296FXX		296	246 (112)	905	2448	3353
4A0362FXX		362	257 (117)	1130	3168	4298
5A0192FXX	500/600	192	233 (106)	769	2420	3189
5A0242FXX		242	257 (117)	1131	3100	4231

NOTES:  
XX DENOTES AA-ZZ

INT=INTERNAL COMPONENTS  
EXT=EXTERNAL HEATSINK  
TOT=TOTAL

FOR ADDITIONAL DETAILS AND SPECIFICATIONS, CONSULT MANUAL

TOLERANCES / REFERENCES:



THIS DOCUMENT AND INFORMATION CONTAINED IN IT ARE CONFIDENTIAL, AND CANNOT BE COPIED OR DISCLOSED IN WHOLE OR IN PART WITHOUT THE EXPRESS WRITTEN CONSENT OF YASKAWA AMERICA, INC.

DRAWN: J. MATTAS

DATE: 12-9-11

CHECKED: J. PIOTROWSKI

DATE: 1-5-12

TECH: J. BORJA

DATE: 1-9-12

APPROVED: J. CAIRO

DATE: 1-10-12

ORIGINAL DESIGN:

DATE: -

TITLE: P1000 DIMENSION DRAWING  
FRAME SIZE 12A  
NEMA TYPE 1 ENCLOSURE  
2A0360, 4A0250 - 0362, 5A0192 - 0242

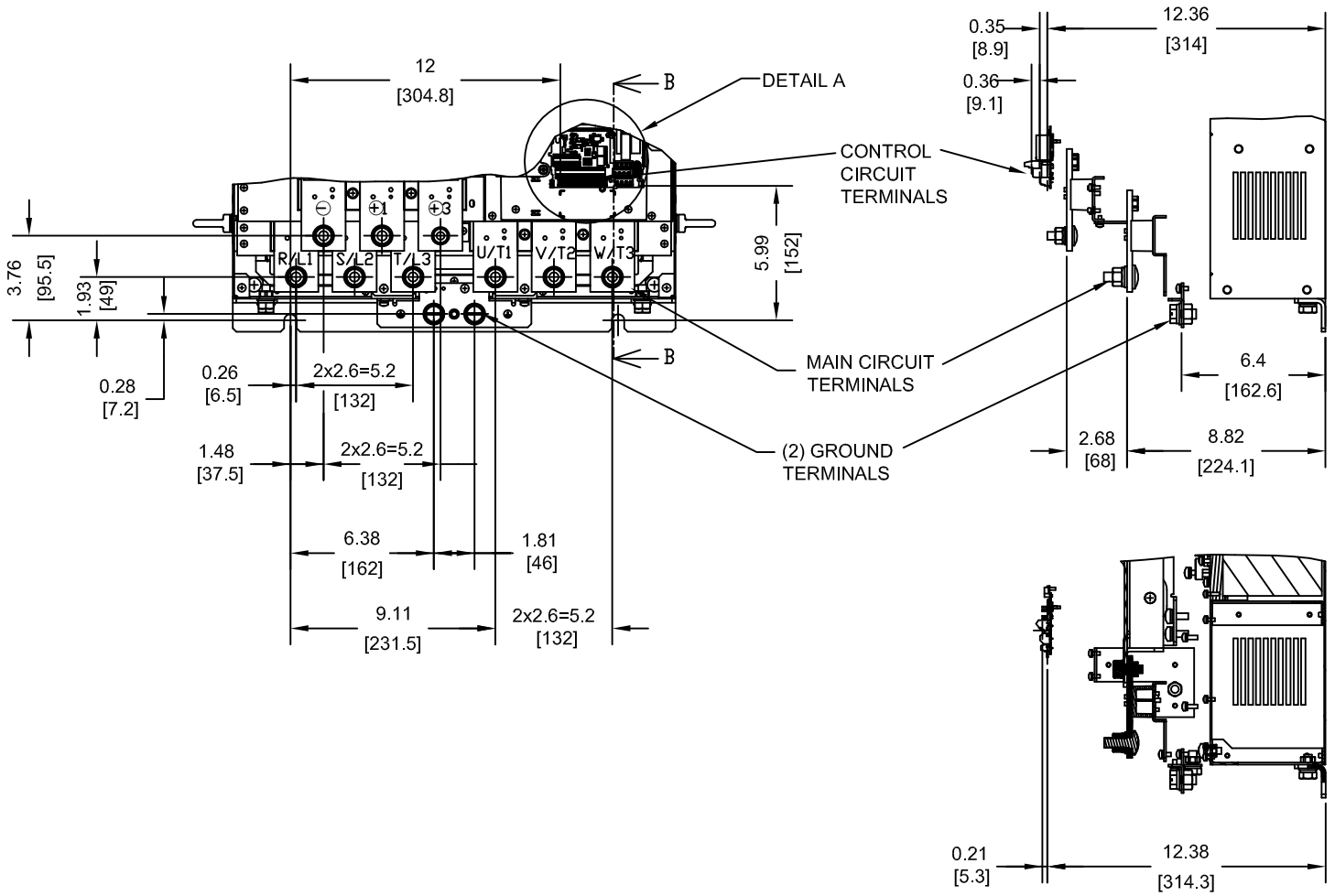
SIZE: A REVISION: R00 PAGE: 1 of 4

DRAWING #: DD.P1K.FR12A.N1

UNITS: IN [mm]

SCALE: 1:15

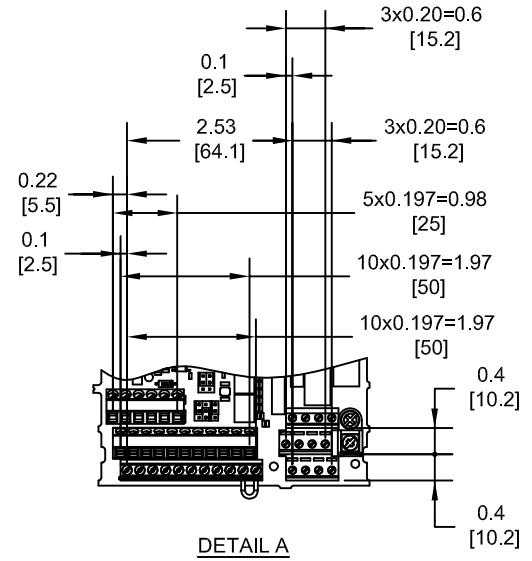
TERMINAL AND WIRING DETAILS (SCALE 1:8)  
 PU2A0360, PU4A0296, PU4A0362, PU5A0192 & PU5A0242 ONLY



TERMINAL AND WIRE SPECIFICATIONS FOR  
 MAIN CIRCUIT AND GROUND

MODEL # CIMR-PU	TERMINAL SYMBOL	TERMINAL SCREW	CLAMPING TORQUE lb.in.(N.m.)
2A0360	R/L1, S/L2, T/L3	M12	283.2 TO 354.0 (32 TO 40)
4A0296	U/T1, V/T2, W/T3		
4A0362	⊖, ⊕1	M10	159.3 TO 203.6 (18 TO 23)
5A0192	⊕3		
5A0242	⊕	M12	283.2 TO 354.0 (32 TO 40)

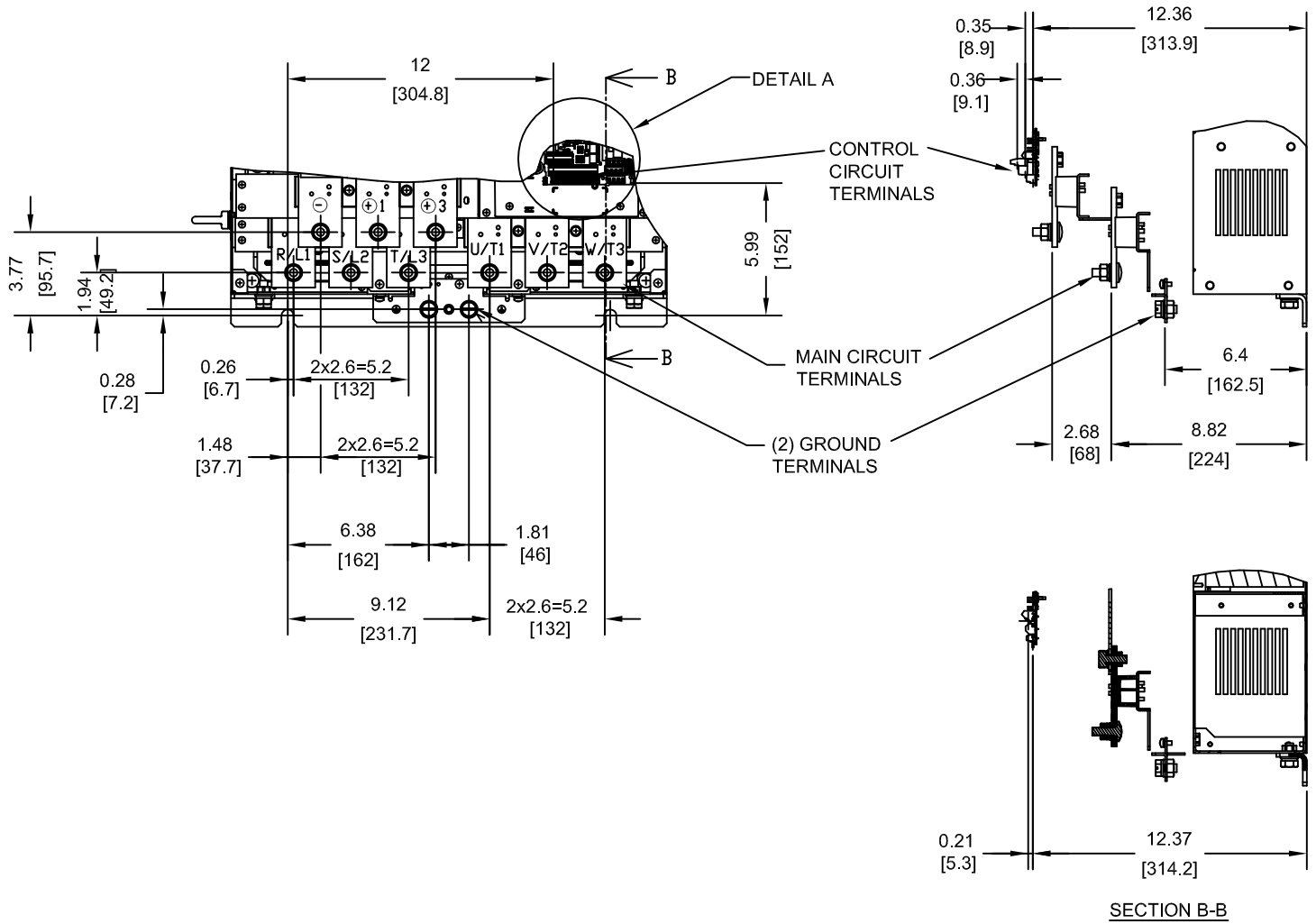
NOTE: REFER TO APPLICABLE CODES FOR PROPER WIRE TYPE AND SIZE



FOR ADDITIONAL DETAILS AND SPECIFICATIONS, CONSULT MANUAL

TOLERANCES / REFERENCES:			DRAWN: J. MATTAS DATE 12-9-11	TITLE: P1000 DIMENSION DRAWING FRAME SIZE 12A NEMA TYPE 1 ENCLOSURE 2A0360, 4A0250 - 0362, 5A0192 - 0242
UNITS: IN [mm]			CHECKED: J. PIOTROWSKI DATE 1-5-12	DATE 1-9-12
SCALE: BY VIEW		TECH: J. BORJA DATE 1-9-12	APPROVED: J. CAIRO DATE 1-10-12	REVISION R00
ORIGINAL DESIGN: -		WITHOUT THE EXPRESS WRITTEN CONSENT OF YASKAWA AMERICA, INC.		PAGE 2 of 4
		DRAWING #: DD.P1K.FR12A.N1		

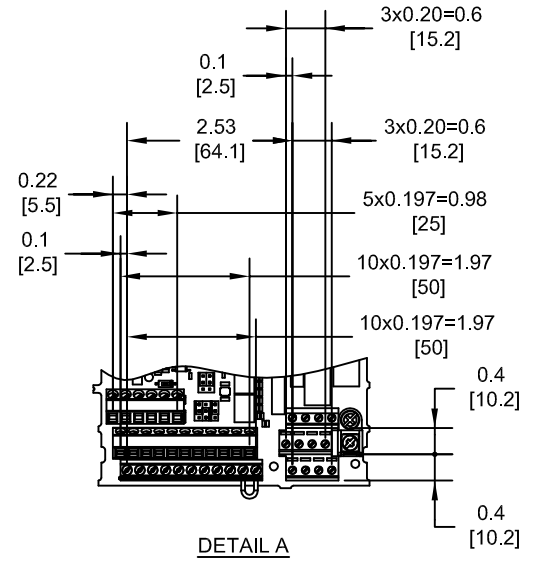
TERMINAL AND WIRING DETAILS (SCALE 1:8)  
 PU4A0250 ONLY



TERMINAL AND WIRE SPECIFICATIONS FOR  
 MAIN CIRCUIT AND GROUND

MODEL # CIMR-PU	TERMINAL SYMBOL	TERMINAL SCREW	CLAMPING TORQUE lb.in.(N.m.)
4A0250	R/L1, S/L2, T/L3	M10	159.3 TO 203.6 (18 TO 23)
	U/T1, V/T2, W/T3		
	⊖, ⊕1		
	⊕3	M10	
	⊕	M10	

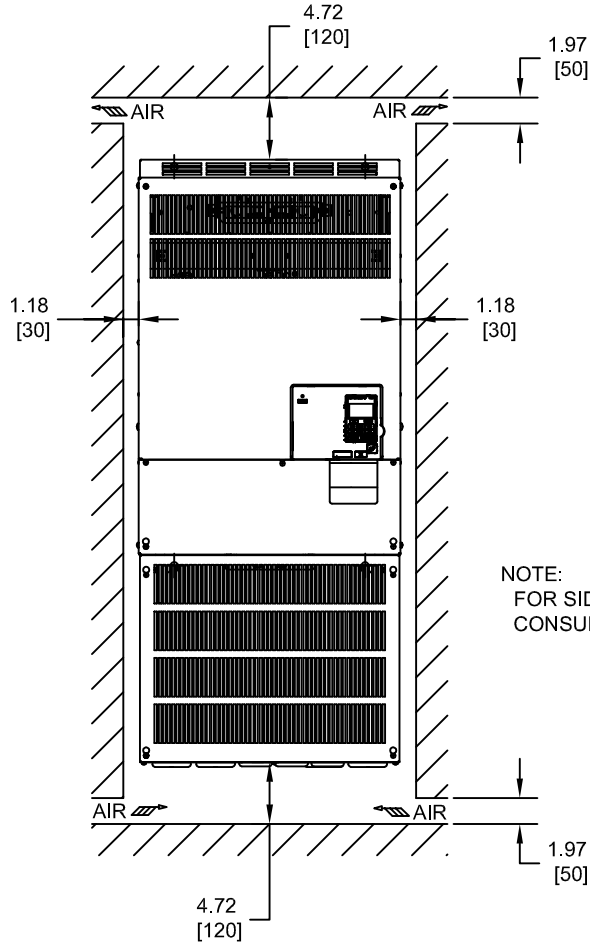
NOTE: REFER TO APPLICABLE CODES FOR PROPER WIRE TYPE AND SIZE



FOR ADDITIONAL DETAILS AND SPECIFICATIONS, CONSULT MANUAL

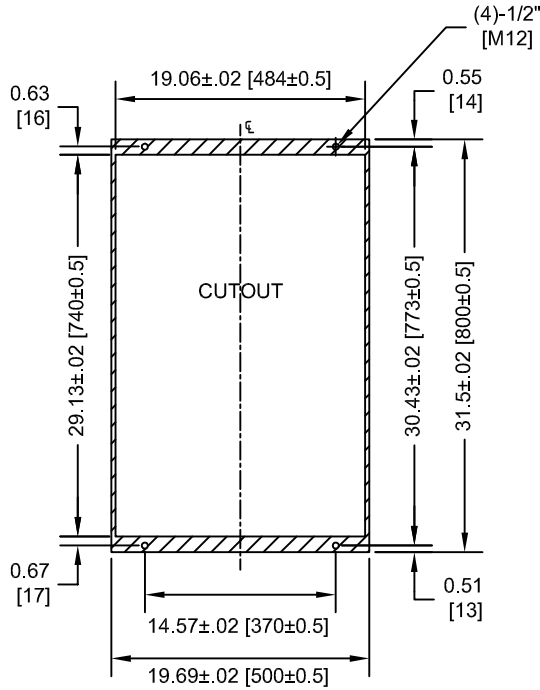
TOLERANCES / REFERENCES:			DRAWN: J. MATTAS DATE 12-9-11	TITLE: P1000 DIMENSION DRAWING FRAME SIZE 12A NEMA TYPE 1 ENCLOSURE 2A0360, 4A0250 - 0362, 5A0192 - 0242
UNITS: IN [mm]	SCALE: BY VIEW		CHECKED: J. PIOTROWSKI DATE 1-5-12	REVISION R00
THIS DOCUMENT AND INFORMATION CONTAINED IN IT ARE CONFIDENTIAL, AND CANNOT BE COPIED OR DISCLOSED IN WHOLE OR IN PART WITHOUT THE EXPRESS WRITTEN CONSENT OF YASKAWA AMERICA, INC.		TECH: J. BORJA DATE 1-9-12	APPROVED: J. CAIRO DATE 1-10-12	DRAWING #: DD.P1K.FR12A.N1
		ORIGINAL DESIGN: -	DATE -	

MINIMUM INSTALLATION CLEARANCES (SCALE 1:15)




NOTE:  
FOR SIDE-BY-SIDE MOUNTING  
CONSULT MANUAL

PANEL CUTOUT FOR EXTERNAL HEATSINK MOUNTING CONFIGURATION (SCALE 1:15)



NOTE:  
EXPOSED HEATSINK DEPTH  
D=5.12" MINUS PANEL THICKNESS

FOR ADDITIONAL DETAILS AND SPECIFICATIONS, CONSULT MANUAL

TOLERANCES / REFERENCES:		 <p>THIS DOCUMENT AND INFORMATION CONTAINED IN IT ARE CONFIDENTIAL, AND CANNOT BE COPIED OR DISCLOSED IN WHOLE OR IN PART WITHOUT THE EXPRESS WRITTEN CONSENT OF YASKAWA AMERICA, INC.</p>	DRAWN: J. MATTAS	DATE: 12-9-11	TITLE: P1000 DIMENSION DRAWING FRAME SIZE 12A NEMA TYPE 1 ENCLOSURE 2A0360, 4A0250 - 0362, 5A0192 - 0242	
			CHECKED: J. PIOTROWSKI	DATE: 1-5-12		
			TECH: J. BORJA	DATE: 1-9-12		
			APPROVED: J. CAIRO	DATE: 1-10-12		
UNITS: IN [mm]	SCALE: BY VIEW	ORIGINAL DESIGN: -	DATE: -	SIZE: A	REVISION: R00	PAGE: 4 of 4
				DRAWING #: DD.P1K.FR12A.N1		