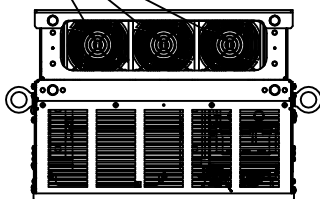
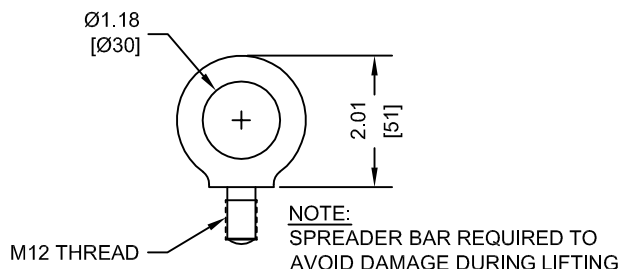


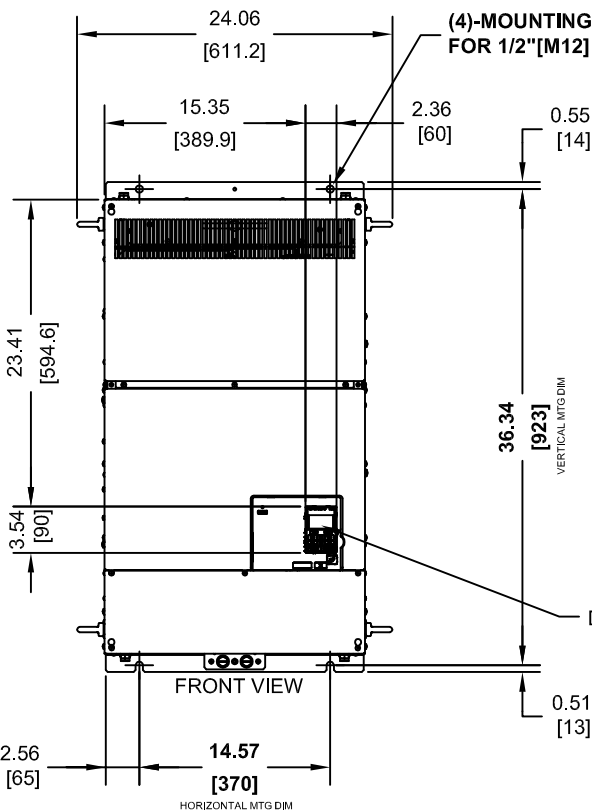
(3) EXTERNAL COOLING FANS



LIFTING AND EYEBOLT DETAILS

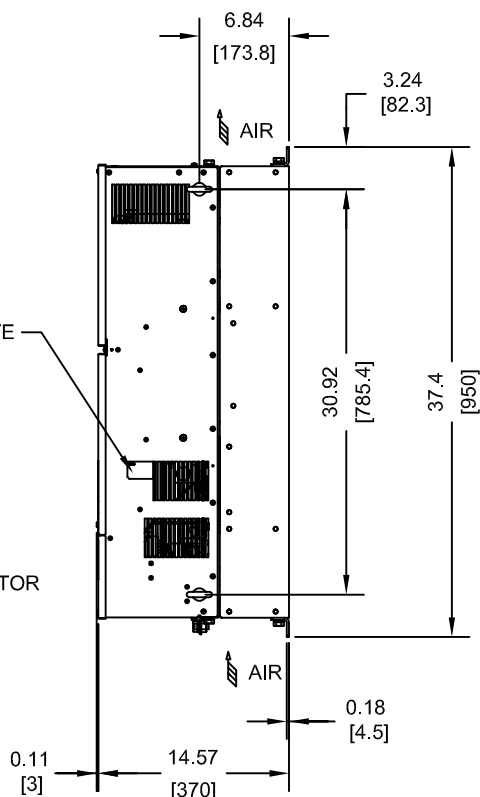


(4)-MOUNTING HOLES FOR 1/2" [M12] SCREWS

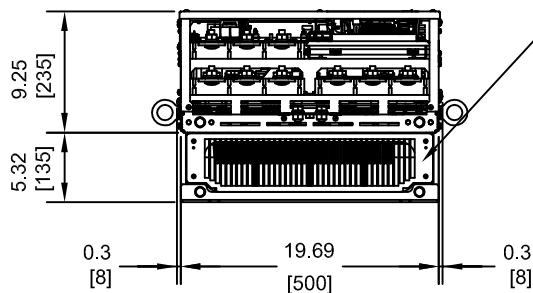


NAMEPLATE

DIGITAL OPERATOR



OPTIONAL CAPACITOR COVER  
WHEN USING AN EXTERNAL MOUNT HEATSINK, UL COMPLIANCE REQUIRES COVERING EXPOSED CAPACITORS IN THE MAIN CIRCUIT TO PREVENT INJURY. CONSULT MANUAL FOR DETAILS.



MODEL # CIMR-PU	INPUT TYPE	VOLTAGE 3-PHASE (VAC)	OUTPUT CURRENT (A)	WEIGHT LBS (Kg)	HEAT LOSS (W) (Fc=2kHz)		
					INT	EXT	TOT
4A0414AXX	6 PULSE	380/480	414	275 (125)	1295	3443	4738

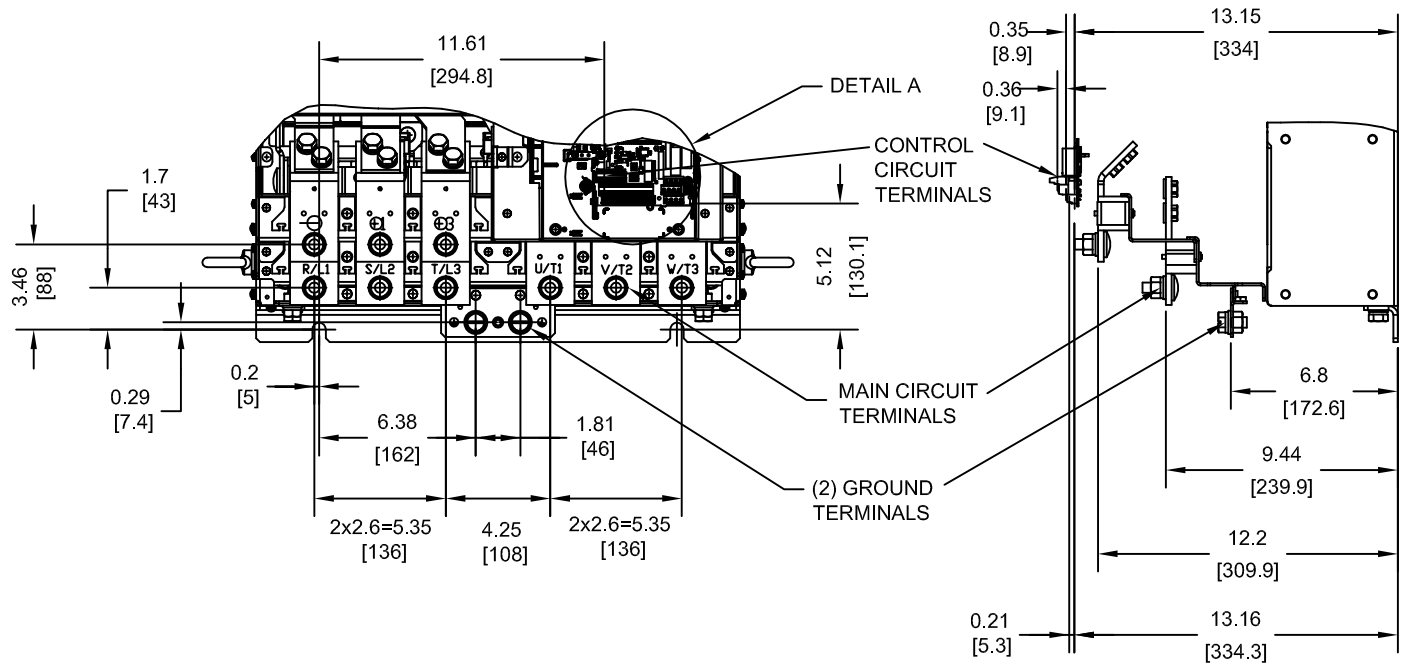
NOTES:  
XX DENOTES AA-ZZ

INT=INTERNAL COMPONENTS  
EXT=EXTERNAL HEATSINK  
TOT=TOTAL

FOR ADDITIONAL DETAILS AND SPECIFICATIONS, CONSULT MANUAL

TOLERANCES / REFERENCES:		<p>THIS DOCUMENT AND INFORMATION CONTAINED IN IT ARE CONFIDENTIAL, AND CANNOT BE COPIED OR DISCLOSED IN WHOLE OR IN PART WITHOUT THE EXPRESS WRITTEN CONSENT OF YASKAWA AMERICA, INC.</p>	DRAWN: J. MATTAS CHECKED: J. PIOTROWSKI TECH: J. BORJA APPROVED: J. CAIRO ORIGINAL DESIGN: -	DATE 12-9-11 DATE 1-5-12 DATE 1-9-12 DATE 1-10-12 DATE -	TITLE: P1000 DIMENSION DRAWING FRAME SIZE 13A IP00 ENCLOSURE 4A0414A
UNITS: IN [mm]	SCALE: 1:15		SIZE A	REVISION R01	PAGE 1 of 3
DRAWING #:					
DD.P1K.FR13A.IP00					

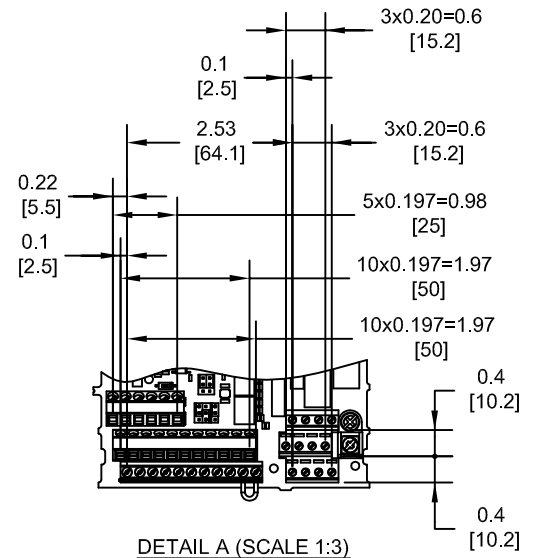
TERMINAL AND WIRING DETAILS (SCALE 1:8)



TERMINAL AND WIRE SPECIFICATIONS FOR MAIN CIRCUIT AND GROUND

MODEL # CIMR-PU	TERMINAL SYMBOL	TERMINAL SCREW	CLAMPING TORQUE lb.in.(N.m.)
4A0414A	R/L1, S/L2, T/L3	M12	283.2 TO 354.0 (32 TO 40)
	U/T1, V/T2, W/T3		
	⊖, ⊕1		
	⊕3	M12	
	⊕	M12	

NOTE: REFER TO APPLICABLE CODES FOR PROPER WIRE TYPE AND SIZE

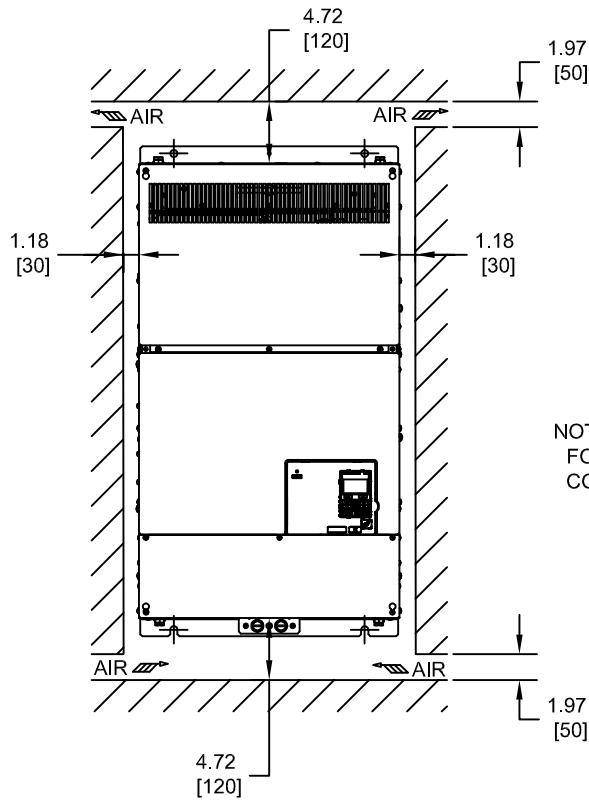


DETAIL A (SCALE 1:3)

FOR ADDITIONAL DETAILS AND SPECIFICATIONS, CONSULT MANUAL

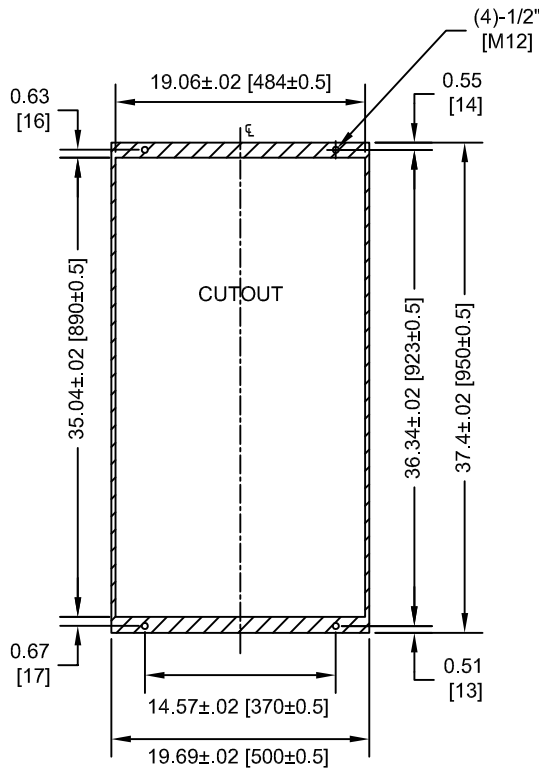
TOLERANCES / REFERENCES:			DRAWN: J. MATTAS DATE 12-9-11	TITLE: P1000 DIMENSION DRAWING FRAME SIZE 13A IP00 ENCLOSURE 4A0414A
UNITS: IN [mm]			CHECKED: J. PIOTROWSKI DATE 1-5-12	REVISION R01
SCALE: BY VIEW		THIS DOCUMENT AND INFORMATION CONTAINED IN IT ARE CONFIDENTIAL, AND CANNOT BE COPIED OR DISCLOSED IN WHOLE OR IN PART WITHOUT THE EXPRESS WRITTEN CONSENT OF YASKAWA AMERICA, INC.	TECH: J. BORJA DATE 1-9-12	PAGE 2 of 3
		APPROVED: J. CAIRO DATE 1-10-12	DRAWING #: DD.P1K.FR13A.IP00	
		ORIGINAL DESIGN: -	DATE -	

MINIMUM INSTALLATION CLEARANCES (SCALE 1:15)




NOTE:  
FOR SIDE-BY-SIDE MOUNTING  
CONSULT MANUAL

PANEL CUTOUT FOR EXTERNAL HEATSINK  
MOUNTING CONFIGURATION (SCALE 1:15)



NOTE:  
EXPOSED HEATSINK DEPTH  
D=5.32" MINUS PANEL THICKNESS

FOR ADDITIONAL DETAILS AND SPECIFICATIONS, CONSULT MANUAL

TOLERANCES / REFERENCES:		 <p>THIS DOCUMENT AND INFORMATION CONTAINED IN IT ARE CONFIDENTIAL, AND CANNOT BE COPIED OR DISCLOSED IN WHOLE OR IN PART WITHOUT THE EXPRESS WRITTEN CONSENT OF YASKAWA AMERICA, INC.</p>	DRAWN: J. MATTAS	DATE 12-9-11	TITLE: P1000 DIMENSION DRAWING FRAME SIZE 13A IP00 ENCLOSURE 4A0414A	
			CHECKED: J. PIOTROWSKI	DATE 1-5-12		
			TECH: J. BORJA	DATE 1-9-12		
			APPROVED: J. CAIRO	DATE 1-10-12		
UNITS: IN [mm]	SCALE: BY VIEW	ORIGINAL DESIGN: -	DATE -	SIZE A	REVISION R01	PAGE 3 of 3
				DRAWING #: <b>DD.P1K.FR13A.IP00</b>		