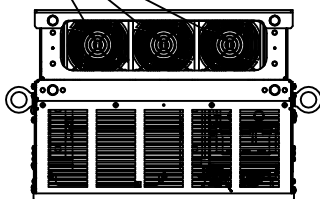
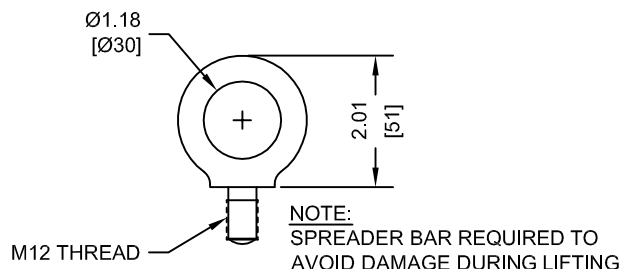


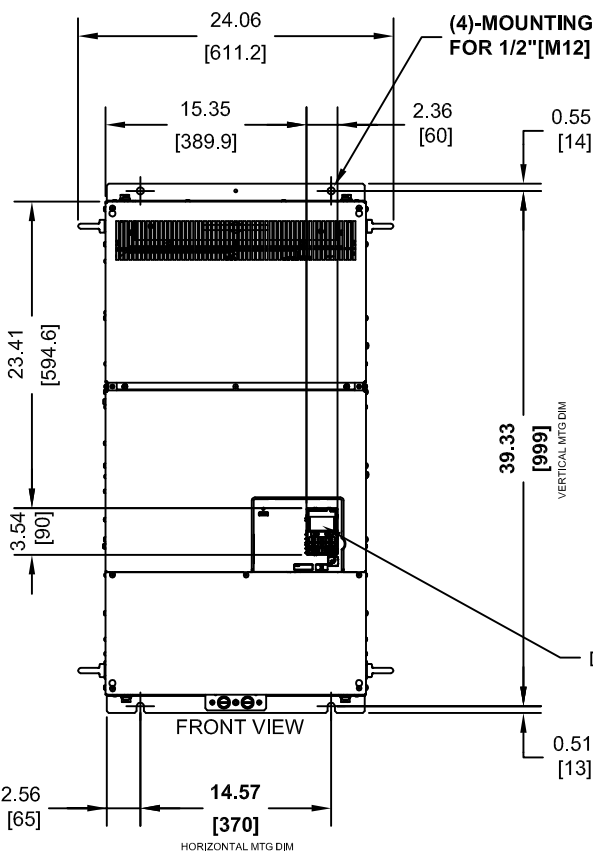
(3) EXTERNAL COOLING FANS



LIFTING AND EYEBOLT DETAILS

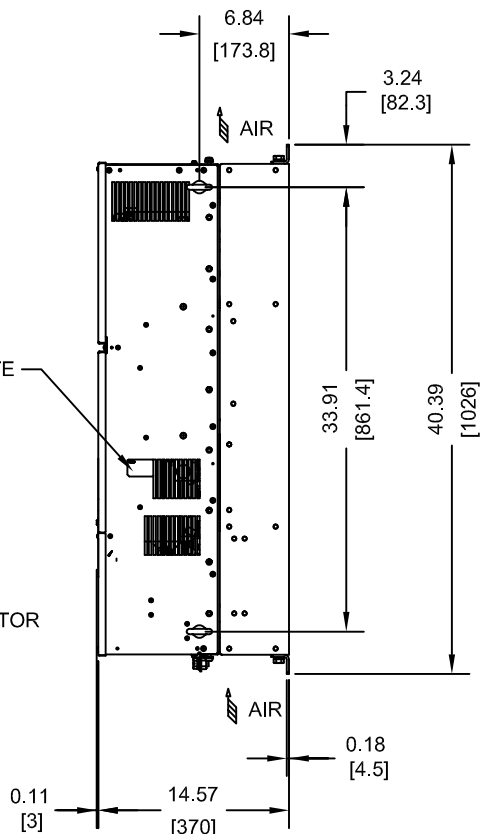


(4)-MOUNTING HOLES FOR 1/2" [M12] SCREWS

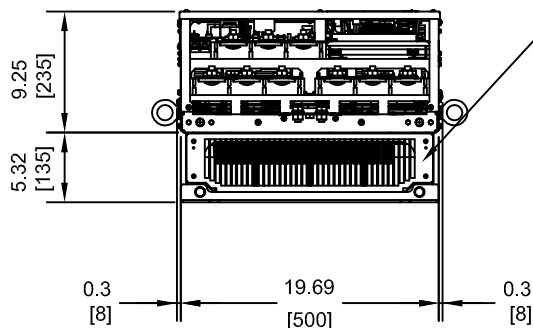


NAMEPLATE

DIGITAL OPERATOR



OPTIONAL CAPACITOR COVER
WHEN USING AN EXTERNAL MOUNT HEATSINK, UL COMPLIANCE REQUIRES COVERING EXPOSED CAPACITORS IN THE MAIN CIRCUIT TO PREVENT INJURY. CONSULT MANUAL FOR DETAILS.



MODEL # CIMR-PU	INPUT TYPE	VOLTAGE 3-PHASE (VAC)	OUTPUT CURRENT (A)	WEIGHT LBS (Kg)	HEAT LOSS (W) (Fc=2kHz)		
					INT	EXT	TOT
4T0414AXX	12 PULSE	380/480	414	268 (122)	1083	3443	4526

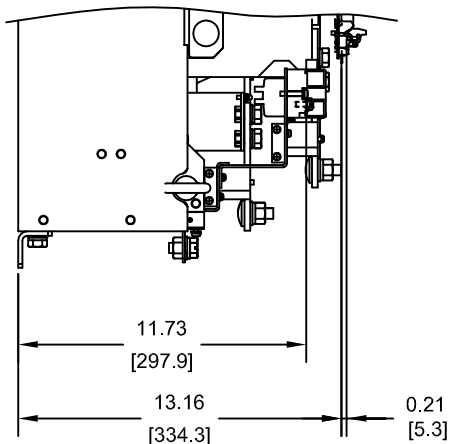
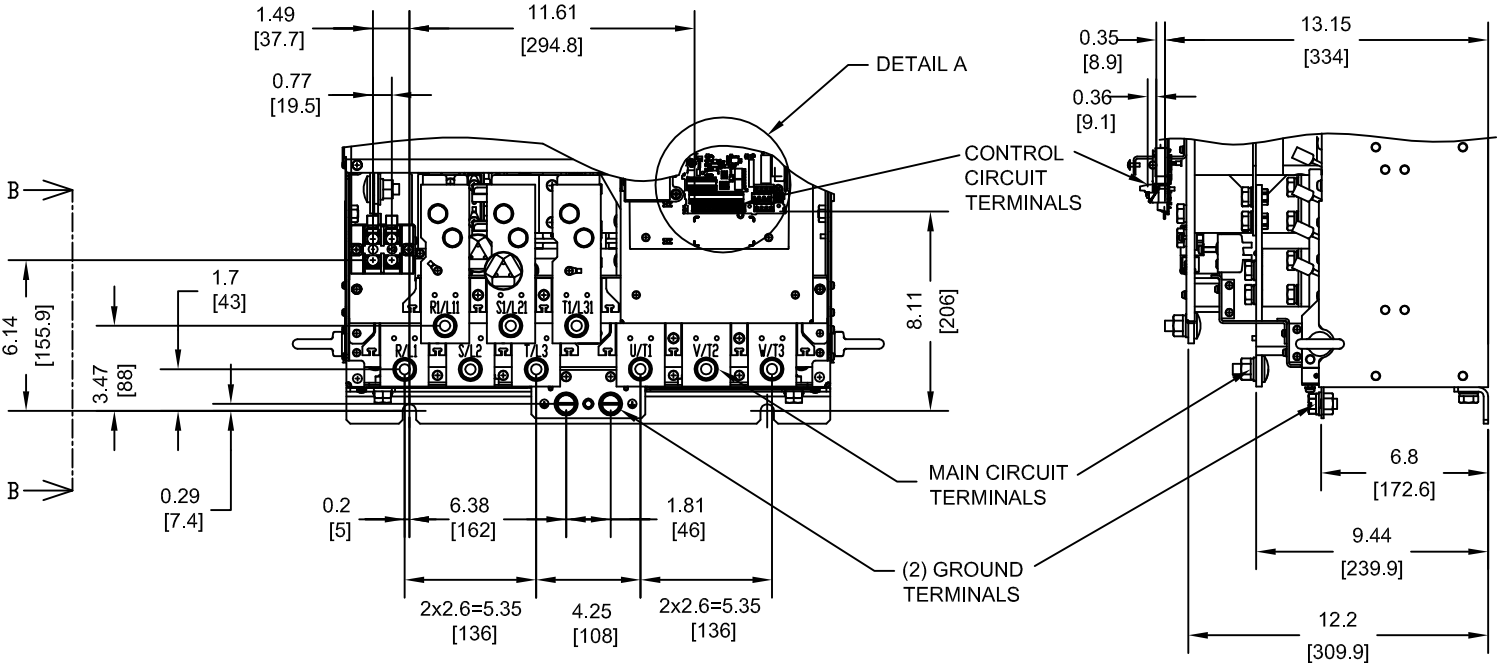
NOTES:
XX DENOTES AA-ZZ

INT=INTERNAL COMPONENTS
EXT=EXTERNAL HEATSINK
TOT=TOTAL

FOR ADDITIONAL DETAILS AND SPECIFICATIONS, CONSULT MANUAL

TOLERANCES / REFERENCES:		<p>THIS DOCUMENT AND INFORMATION CONTAINED IN IT ARE CONFIDENTIAL, AND CANNOT BE COPIED OR DISCLOSED IN WHOLE OR IN PART WITHOUT THE EXPRESS WRITTEN CONSENT OF YASKAWA AMERICA, INC.</p>	DRAWN: J. MATTAS DATE 7-1-14	TITLE: P1000 DIMENSION DRAWING FRAME SIZE 13B IP00 ENCLOSURE 4T0414A
			CHECKED: J. PIOTROWSKI DATE 7-2-14	REVISION R01
			TECH: J. BORJA DATE 7-7-14	PAGE 1 of 3
UNITS: IN [mm]	SCALE: 1:15		APPROVED: J. CAIRO DATE 8-12-14	DRAWING #: DD.P1K.FR13B.IP00

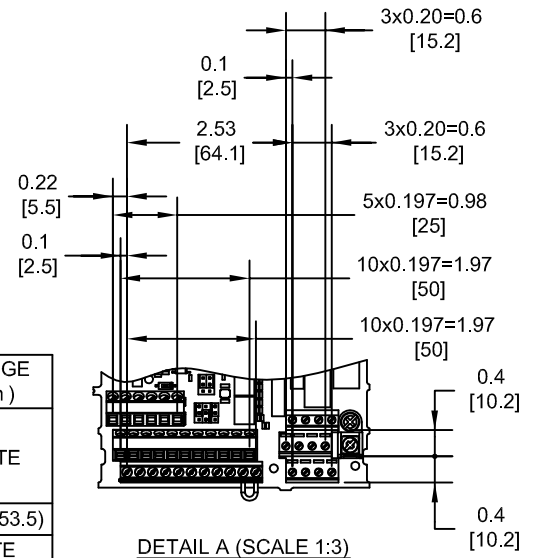
TERMINAL AND WIRING DETAILS (SCALE 1:8)



SECTION B-B

TERMINAL AND WIRE SPECIFICATIONS FOR MAIN CIRCUIT AND GROUND

MODEL # CIMR-PU	TERMINAL SYMBOL	TERMINAL SCREW	CLAMPING TORQUE lb.in.(N.m.)	WIRE RANGE AWG(mm)
4T0414A	R/L1, S/L2, T/L3	M12	283.2 TO 354.0 (32 TO 40)	SEE NOTE
	R1/L11, S1/L21, T1/L31			
	U/T1, V/T2, W/T3			
	⊖, ⊕3	M6	22.1 TO 26.6 (2.5 TO 3.0)	22-1/0 (0.3-53.5)
	⊕	M12	283.2 TO 354.0 (32 TO 40)	SEE NOTE



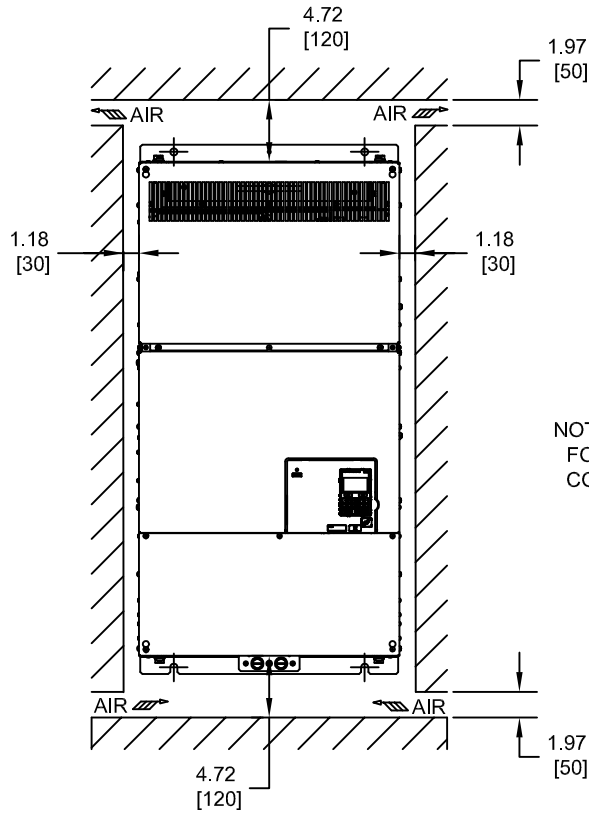
DETAIL A (SCALE 1:3)

NOTE: REFER TO APPLICABLE CODES FOR PROPER WIRE TYPE AND SIZE

FOR ADDITIONAL DETAILS AND SPECIFICATIONS, CONSULT MANUAL

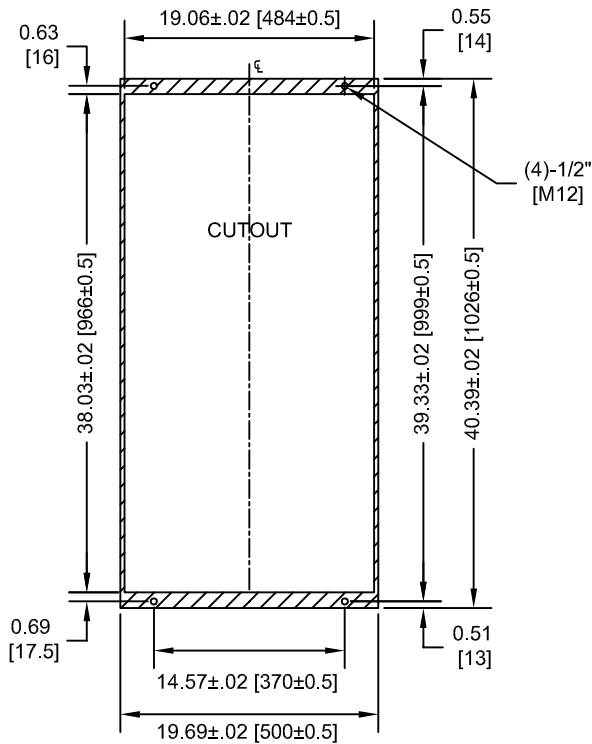
TOLERANCES / REFERENCES:			DRAWN: J. MATTAS DATE: 7-1-14	TITLE: P1000 DIMENSION DRAWING FRAME SIZE 13B IP00 ENCLOSURE 4T0414A
UNITS: IN [mm]	SCALE: BY VIEW		CHECKED: J. PIOTROWSKI DATE: 7-2-14	TECH: J. BORJA DATE: 7-7-14
THIS DOCUMENT AND INFORMATION CONTAINED IN IT ARE CONFIDENTIAL, AND CANNOT BE COPIED OR DISCLOSED IN WHOLE OR IN PART WITHOUT THE EXPRESS WRITTEN CONSENT OF YASKAWA AMERICA, INC.		APPROVED: J. CAIRO DATE: 8-12-14	ORIGINAL DESIGN: - DATE: -	SIZE: A REVISION: R01 PAGE: 2 of 3
			DRAWING #: DD.P1K.FR13B.IP00	

MINIMUM INSTALLATION CLEARANCES (SCALE 1:15)



NOTE:
FOR SIDE-BY-SIDE MOUNTING
CONSULT MANUAL

PANEL CUTOUT FOR EXTERNAL HEATSINK
MOUNTING CONFIGURATION (SCALE 1:15)



NOTE:
EXPOSED HEATSINK DEPTH
D=5.32" MINUS PANEL THICKNESS

FOR ADDITIONAL DETAILS AND SPECIFICATIONS, CONSULT MANUAL

TOLERANCES / REFERENCES:			DRAWN: J. MATTAS	DATE 7-1-14	TITLE: P1000 DIMENSION DRAWING		
			CHECKED: J. PIOTROWSKI	DATE 7-2-14	FRAME SIZE 13B		
		THIS DOCUMENT AND INFORMATION CONTAINED IN IT ARE CONFIDENTIAL, AND CANNOT BE COPIED OR DISCLOSED IN WHOLE OR IN PART WITHOUT THE EXPRESS WRITTEN CONSENT OF YASKAWA AMERICA, INC.			TECH: J. BORJA	DATE 7-7-14	IP00 ENCLOSURE
					APPROVED: J. CAIRO	DATE 8-12-14	4T0414A
UNITS: IN [mm]	SCALE: BY VIEW	ORIGINAL DESIGN: -		DATE -	SIZE A	REVISION R01	PAGE 3 of 3
					DRAWING #: DD.P1K.FR13B.IP00		