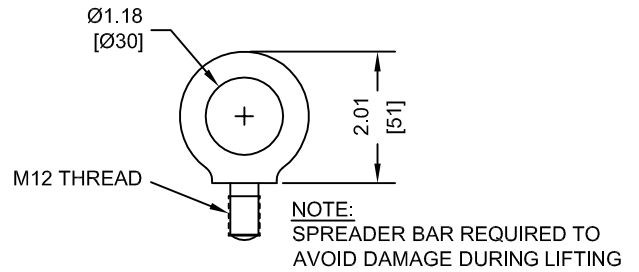


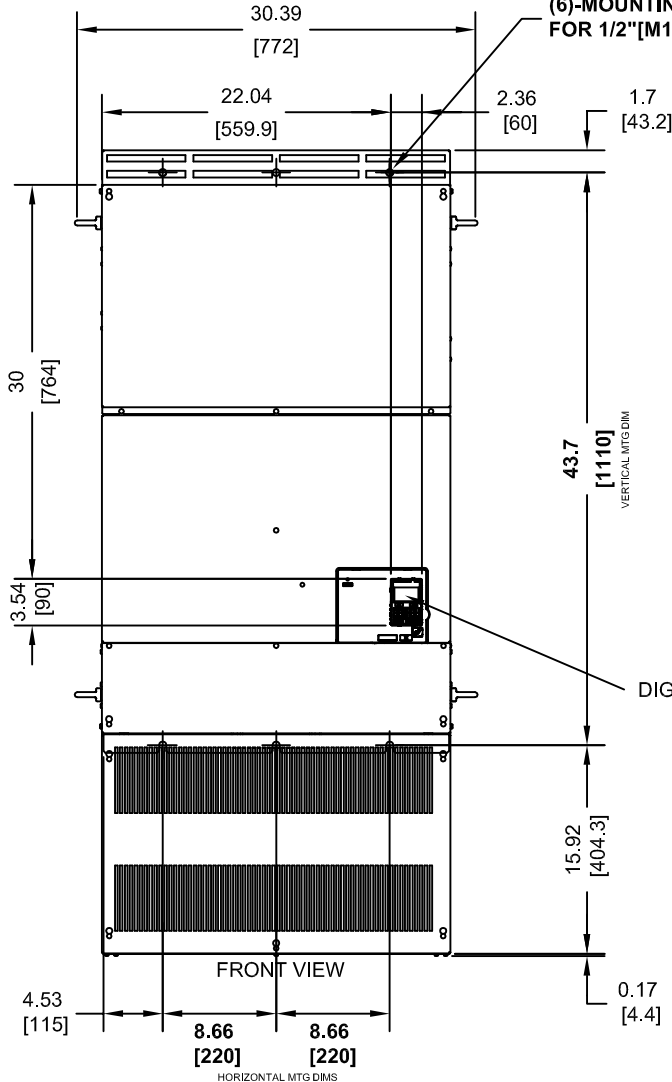
(3) EXTERNAL COOLING FANS



LIFTING AND EYEBOLT DETAILS

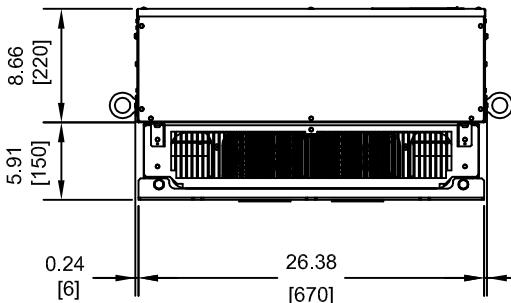
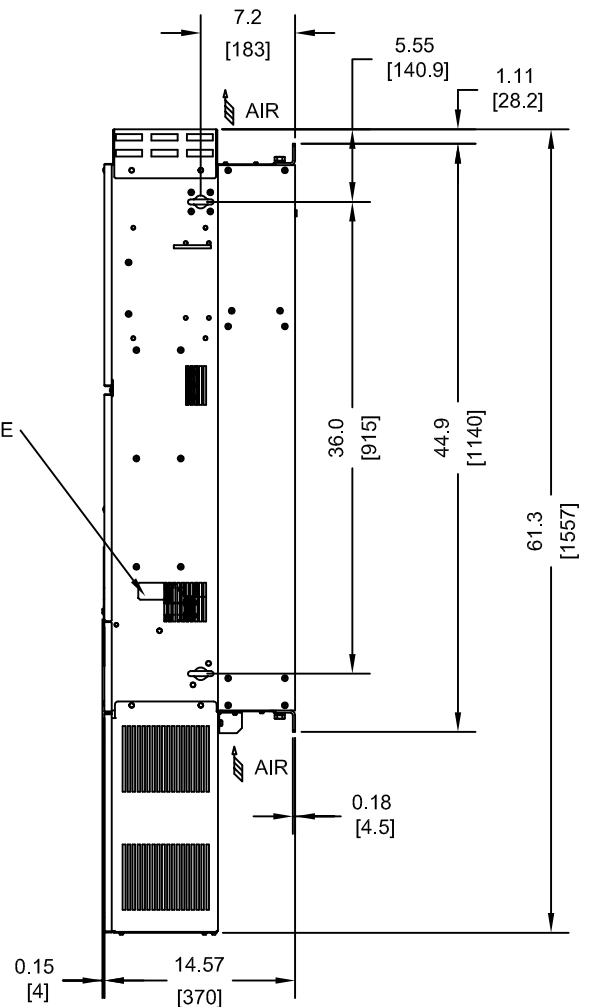


(6)-MOUNTING HOLES FOR 1/2" [M12] SCREWS



NAMEPLATE

DIGITAL OPERATOR



MODEL # CIMR-PU	VOLTAGE THREE-PHASE (VAC)	OUTPUT CURRENT (A)	WEIGHT LBS (Kg)	HEAT LOSS (W) (Fc=2kHz)		
				INT	EXT	TOT
4X0515XXX	380/480	515	504 (229)	1668	4850	6518
4X0675XXX		675	515 (234)	2037	4861	6898

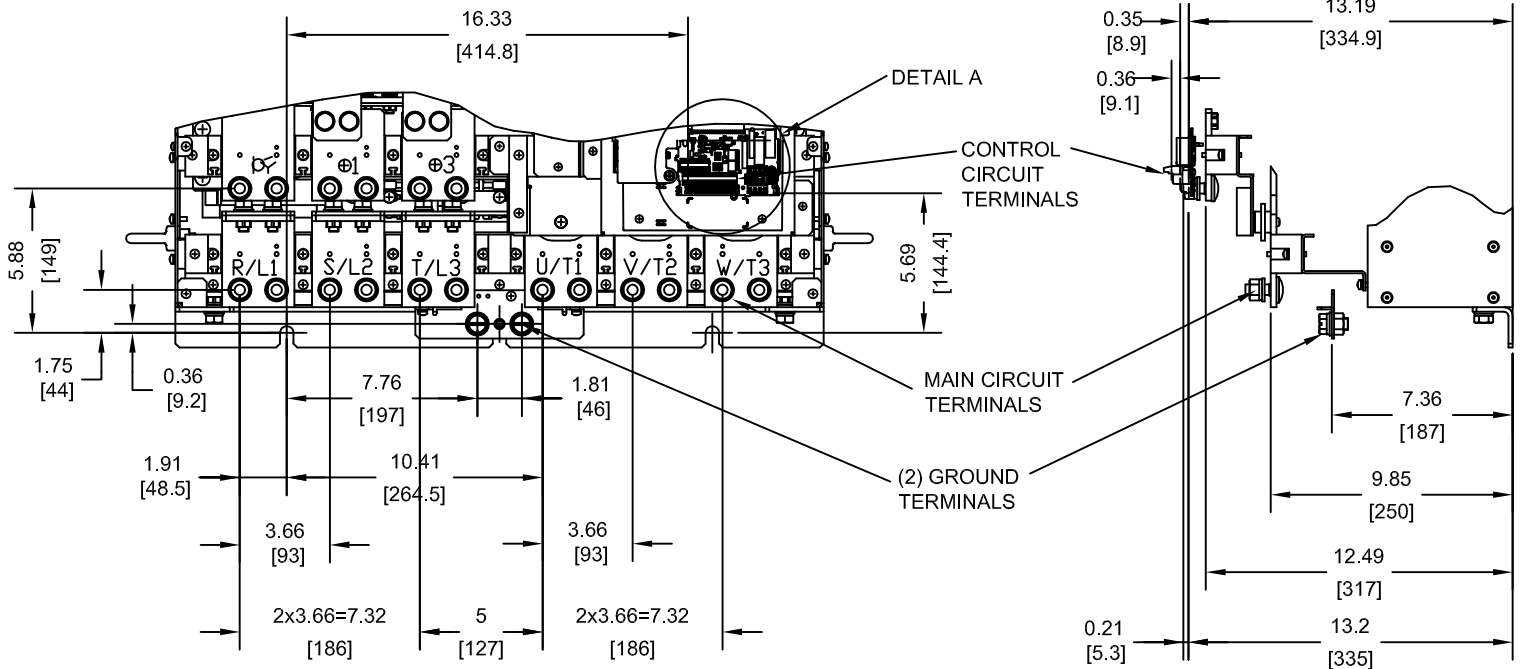
NOTES:
X DENOTES A-Z

INT=INTERNAL COMPONENTS
EXT=EXTERNAL HEATSINK
TOT=TOTAL

FOR ADDITIONAL DETAILS AND SPECIFICATIONS, CONSULT MANUAL

TOLERANCES / REFERENCES:		<p>THIS DOCUMENT AND INFORMATION CONTAINED IN IT ARE CONFIDENTIAL, AND CANNOT BE COPIED OR DISCLOSED IN WHOLE OR IN PART WITHOUT THE EXPRESS WRITTEN CONSENT OF YASKAWA AMERICA, INC.</p>	DRAWN: J. MATTAS DATE 12-9-11	TITLE: P1000 DIMENSION DRAWING FRAME SIZE 14 NEMA TYPE 1 ENCLOSURE 4X0515 AND 4X0675	
UNITS: IN [mm]	SCALE: 1:15		CHECKED: J. PIOTROWSKI DATE 1-5-12	SIZE A	REVISION R00
			TECH: J. BORJA DATE 1-9-12	ORIGINAL DESIGN: -	PAGE 1 of 3
			APPROVED: J. CAIRO DATE 1-10-12	DRAWING #: DD.P1K.FR14.N1	

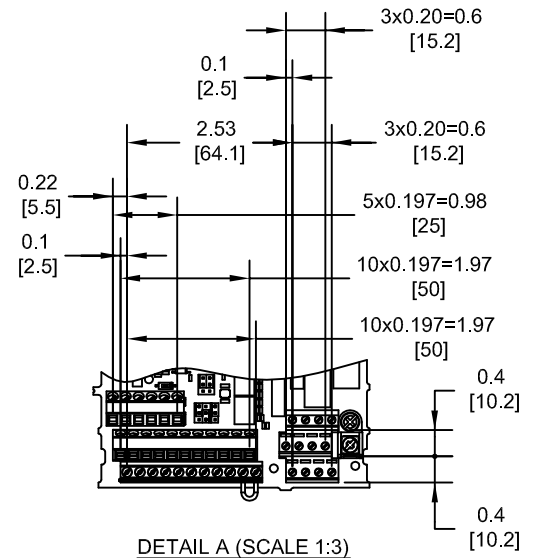
TERMINAL AND WIRING DETAILS (SCALE 1:8)



TERMINAL AND WIRE SPECIFICATIONS FOR MAIN CIRCUIT AND GROUND

MODEL # CIMR-PU	TERMINAL SYMBOL	TERMINAL SCREW	CLAMPING TORQUE lb.in.(N.m.)
4X0515 4X0675	R/L1, S/L2, T/L3	M12	283.2 TO 354.0 (32 TO 40)
	U/T1, V/T2, W/T3		
	⊖, ⊕1		
	⊕3	M12	
	⊕	M12	

NOTE: REFER TO APPLICABLE CODES FOR PROPER WIRE TYPE AND SIZE



FOR ADDITIONAL DETAILS AND SPECIFICATIONS, CONSULT MANUAL

TOLERANCES / REFERENCES:			DRAWN: J. MATTAS DATE: 12-9-11	TITLE: P1000 DIMENSION DRAWING FRAME SIZE 14 NEMA TYPE 1 ENCLOSURE 4X0515 AND 4X0675
UNITS: IN [mm]			CHECKED: J. PIOTROWSKI DATE: 1-5-12	SIZE: A REVISION: R00 PAGE: 2 of 3
SCALE: BY VIEW		THIS DOCUMENT AND INFORMATION CONTAINED IN IT ARE CONFIDENTIAL, AND CANNOT BE COPIED OR DISCLOSED IN WHOLE OR IN PART WITHOUT THE EXPRESS WRITTEN CONSENT OF YASKAWA AMERICA, INC.	TECH: J. BORJA DATE: 1-9-12	DRAWING #: DD.P1K.FR14.N1
		APPROVED: J. CAIRO DATE: 1-10-12	ORIGINAL DESIGN: - DATE: -	

