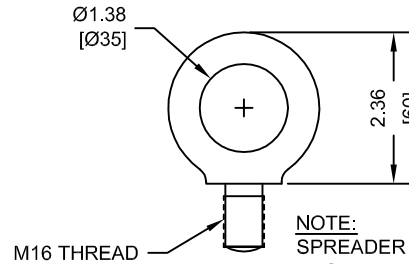
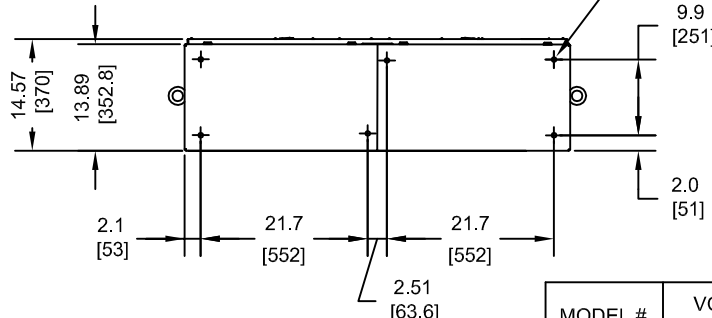
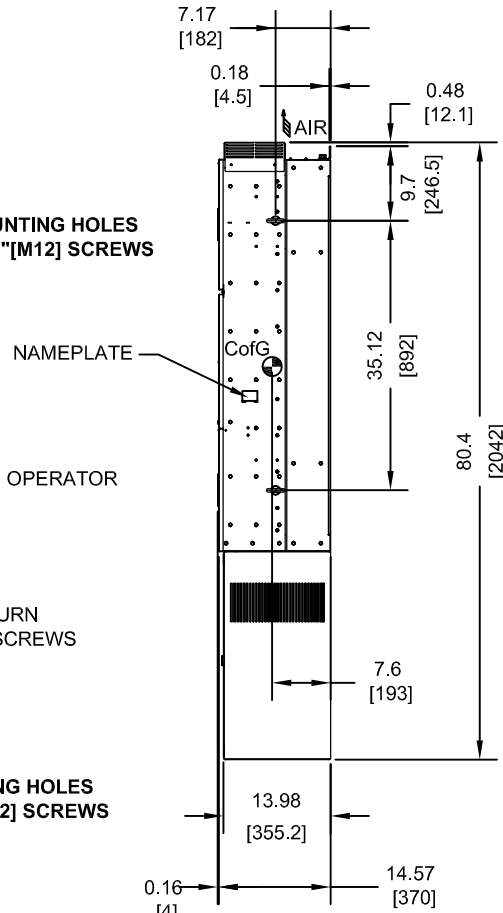
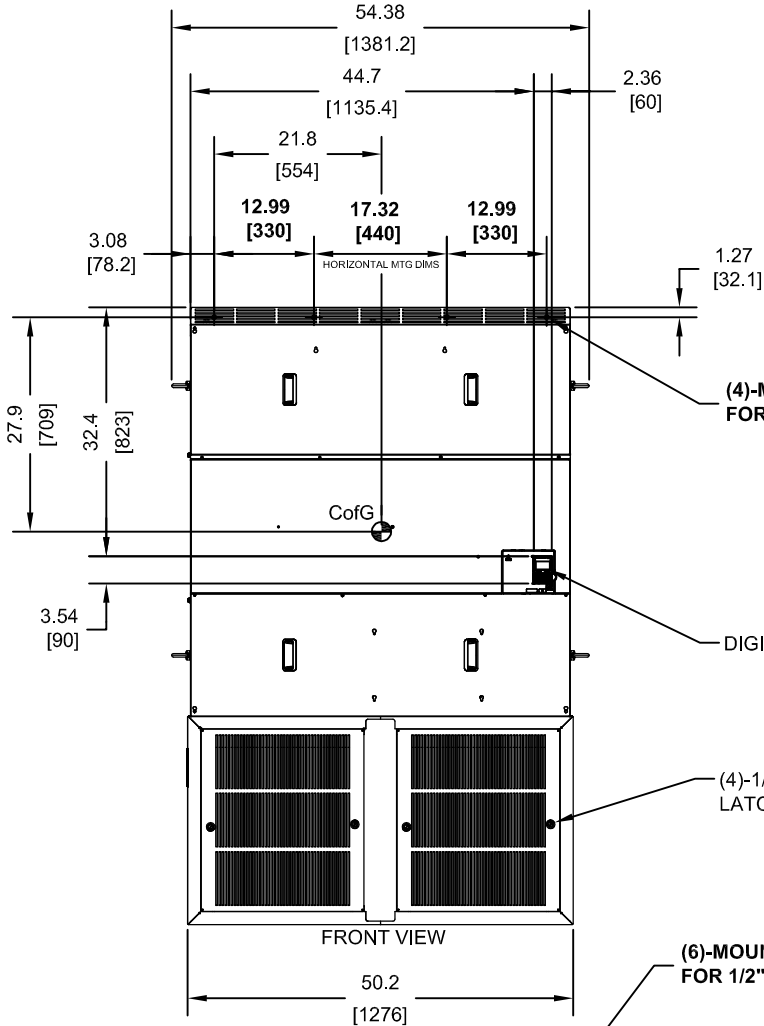


(6) EXTERNAL COOLING FANS

LIFTING AND EYEBOLT DETAILS



NOTE:
SPREADER BAR REQUIRED TO
AVOID DAMAGE DURING LIFTING



NOTE:
FOR ALTERNATE CONFIGURATION
WITH STANDOFF KIT SEE PAGE 3.

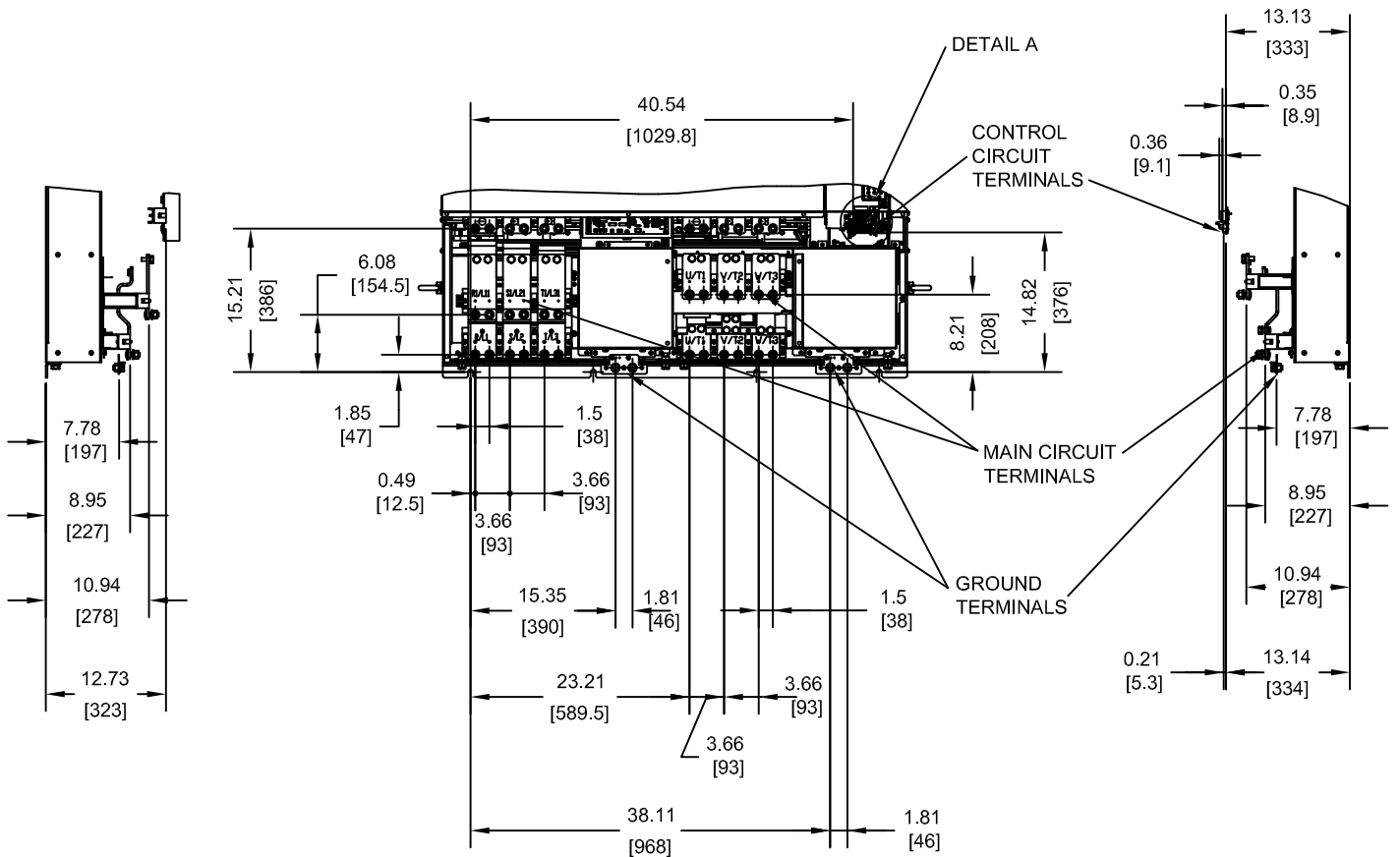
MODEL # CIMR-PU	VOLTAGE THREE-PHASE (VAC)	OUTPUT CURRENT (A)	WEIGHT LBS (Kg)	HEAT LOSS (W) (Fc=2kHz)		
				INT	EXT	TOT
4X0930XXX	380/480	930	1394 (633)	2952	8476	11428
4X1200XXX		1200	1420 (645)	3612	8572	12184

NOTES:
XX DENOTES AA-ZZ
INT=INTERNAL COMPONENTS
EXT=EXTERNAL HEATSINK
TOT=TOTAL

FOR ADDITIONAL DETAILS AND SPECIFICATIONS, CONSULT MANUAL

TOLERANCES / REFERENCES:		DRAWN:	J. MATTAS	DATE:	11-20-13	TITLE:			P1000 DIMENSION DRAWING					
		CHECKED:	J. PIOTROWSKI	DATE:	11-25-13	FRAME SIZE 15			NEMA TYPE 1 ENCLOSURE					
UNITS: IN [mm]	SCALE: 1: 25	THIS DOCUMENT AND INFORMATION CONTAINED IN IT ARE CONFIDENTIAL, AND CANNOT BE COPIED OR DISCLOSED IN WHOLE OR IN PART WITHOUT THE EXPRESS WRITTEN CONSENT OF YASKAWA AMERICA, INC.			TECH:	J. BORJA	DATE:	12-3-13	SIZE:	A	REVISION:	R00	PAGE:	1 of 3
		APPROVED:	J. CAIRO	DATE:	12-9-13	DRAWING #:	DD.P1K.FR15.N1							
		ORIGINAL DESIGN:	-	DATE:	-									

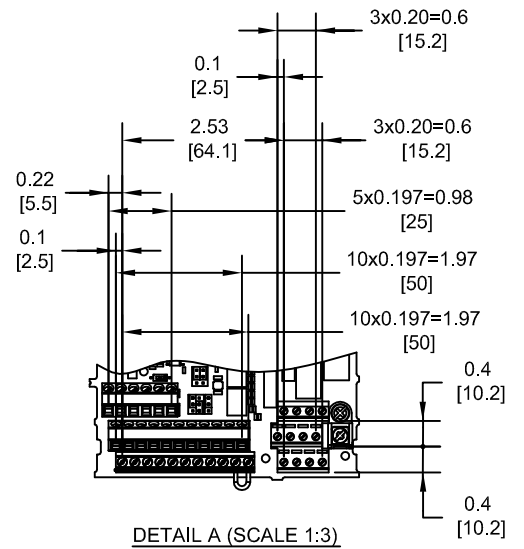
TERMINAL AND WIRING DETAILS (SCALE 1:20)



TERMINAL AND WIRE SPECIFICATIONS FOR MAIN CIRCUIT AND GROUND

MODEL # CIMR-PU	TERMINAL SYMBOL	TERMINAL SCREW	CLAMPING TORQUE lb.in.(N.m.)
4X0930 4X1200	R/L1, S/L2, T/L3	M12	283.2 TO 354.0 (32 TO 40)
	U/T1, V/T2, W/T3		
	⊖, ⊕1		
	⊕3	M12	
	⊕	M12	

NOTE: REFER TO APPLICABLE CODES FOR PROPER WIRE TYPE AND SIZE



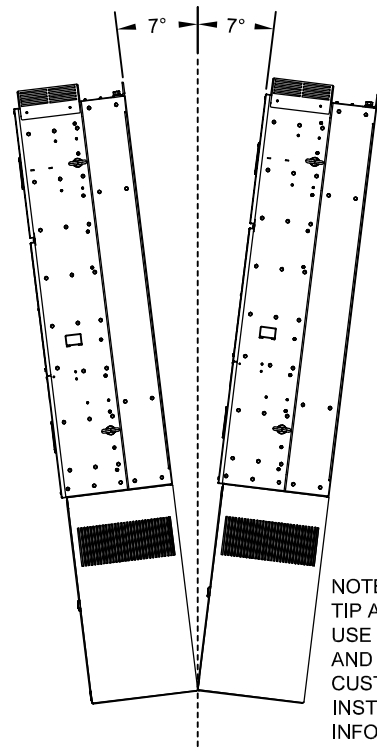
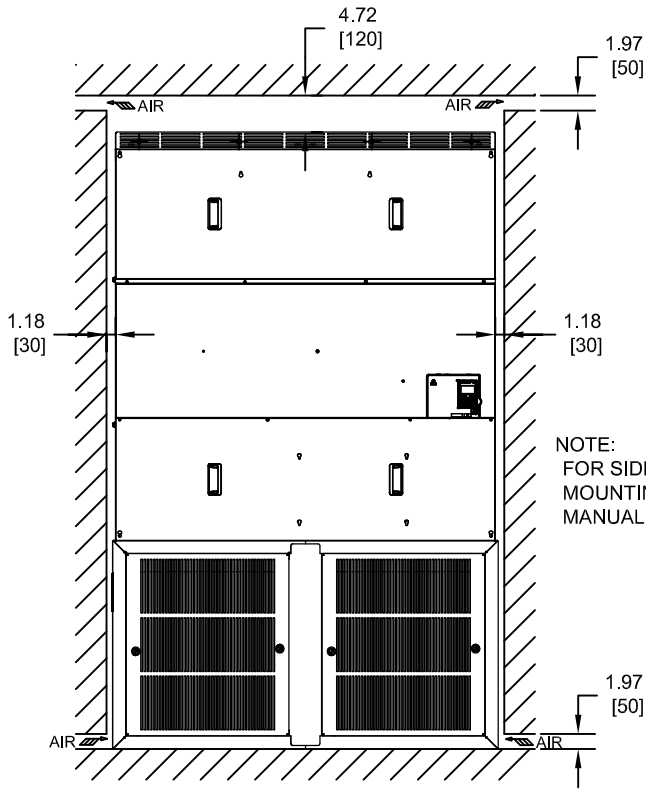
DETAIL A (SCALE 1:3)

FOR ADDITIONAL DETAILS AND SPECIFICATIONS, CONSULT MANUAL

TOLERANCES / REFERENCES:			DRAWN: J. MATTAS CHECKED: J. PIOTROWSKI TECH: J. BORJA APPROVED: J. CAIRO ORIGINAL DESIGN: -	DATE: 11-20-13 DATE: 11-25-13 DATE: 12-3-13 DATE: 12-9-13 DATE: -	TITLE: P1000 DIMENSION DRAWING FRAME SIZE 15 NEMA TYPE 1 ENCLOSURE 4X0930 AND 4X1200
UNITS: IN [mm]	SCALE: BY VIEW		THIS DOCUMENT AND INFORMATION CONTAINED IN IT ARE CONFIDENTIAL, AND CANNOT BE COPIED OR DISCLOSED IN WHOLE OR IN PART WITHOUT THE EXPRESS WRITTEN CONSENT OF YASKAWA AMERICA, INC.	SIZE A	REVISION R00
			DRAWING #: DD.P1K.FR15.N1		

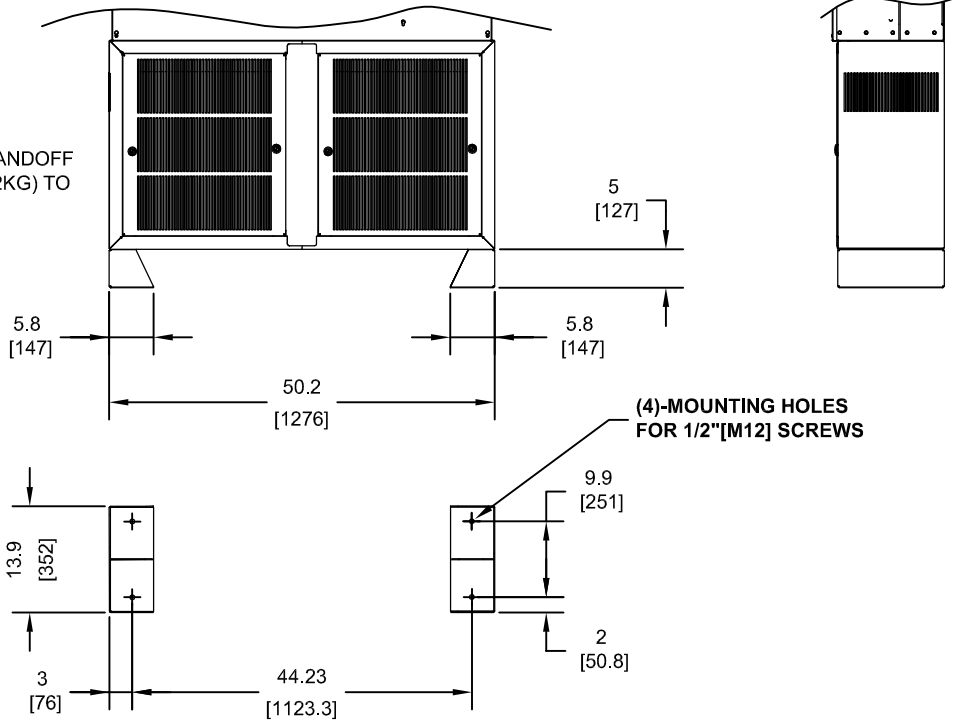
MINIMUM INSTALLATION CLEARANCES (SCALE 1:25)

TIP ANGLE (SCALE 1:25)



ALTERNATE CONFIGURATION WITH STANDOFF KIT ATTACHED (SCALE 1:25)

NOTE:
FOR OPTIONAL STANDOFF
KIT ADD 18 LBS (8.2KG) TO
TOTAL WEIGHT



FOR ADDITIONAL DETAILS AND SPECIFICATIONS, CONSULT MANUAL

TOLERANCES / REFERENCES:			DRAWN: J. MATTAS DATE: 11-20-13	TITLE: P1000 DIMENSION DRAWING	
			CHECKED: J. PIOTROWSKI DATE: 11-25-13	FRAME SIZE 15 NEMA TYPE 1 ENCLOSURE	
			TECH: J. BORJA DATE: 12-3-13	4X0930 AND 4X1200	
			APPROVED: J. CAIRO DATE: 12-9-13	SIZE A	REVISION R00
UNITS: IN [mm]	SCALE: BY VIEW	ORIGINAL DESIGN: -	DATE: -	DRAWING #: DD.P1K.FR15.N1	

THIS DOCUMENT AND INFORMATION CONTAINED IN IT ARE CONFIDENTIAL, AND CANNOT BE COPIED OR DISCLOSED IN WHOLE OR IN PART WITHOUT THE EXPRESS WRITTEN CONSENT OF YASKAWA AMERICA, INC.