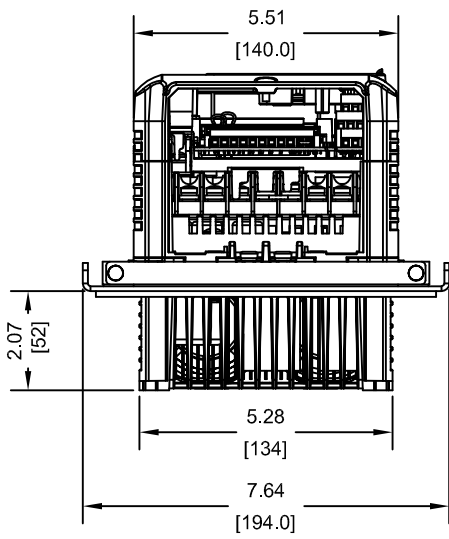
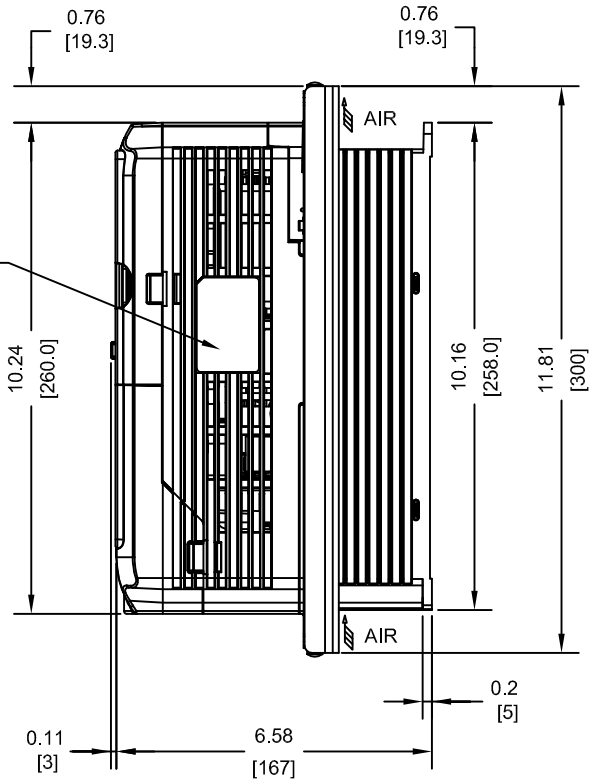
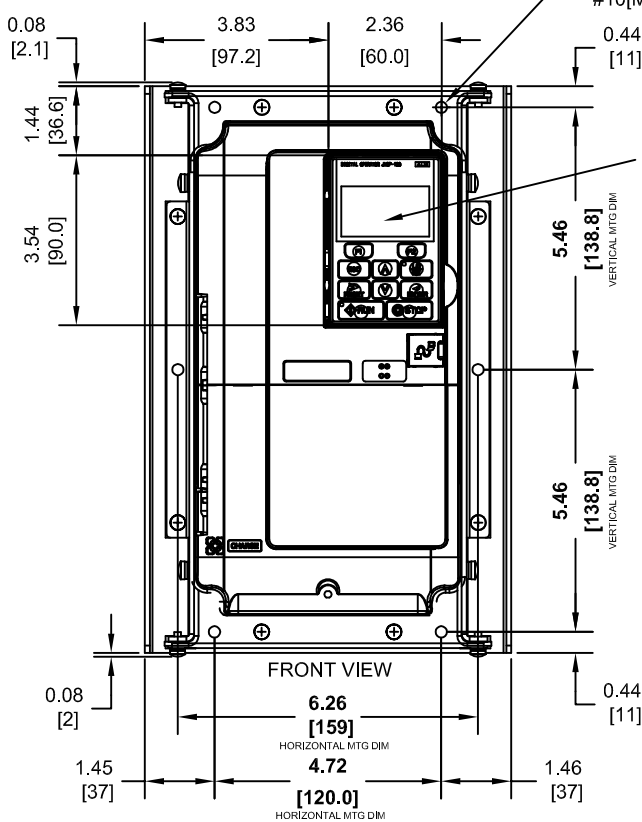


(2) EXTERNAL COOLING FANS

NOTE:  
MAXIMUM SURROUNDING AIR TEMPERATURE RATING IS 122F(50C).



MODEL # CIMR-PU	VOLTAGE THREE-PHASE (VAC)	OUTPUT CURRENT (A)	WEIGHT LBS (Kg)	HEAT LOSS (W) (Fc=2kHz)		
				INT	EXT	TOT
2A0030UXX	200/240	30.0	9.2 (4.2)	117.1	261.5	378.6
2A0040UXX		40.0	9.2 (4.2)	144.5	292.8	437.3
4A0018UXX	380/480	17.5	9.0 (4.1)	108.0	177.3	285.3
4A0023UXX		23.0	9.0 (4.1)	138.1	215.9	354.0
5A0011UXX	500/600	11.0	9.0 (4.1)	88.0	56.1	144.1

NOTE:  
XX DENOTES AA-ZZ

INT=INTERNAL COMPONENTS  
EXT=EXTERNAL HEATSINK  
TOT=TOTAL

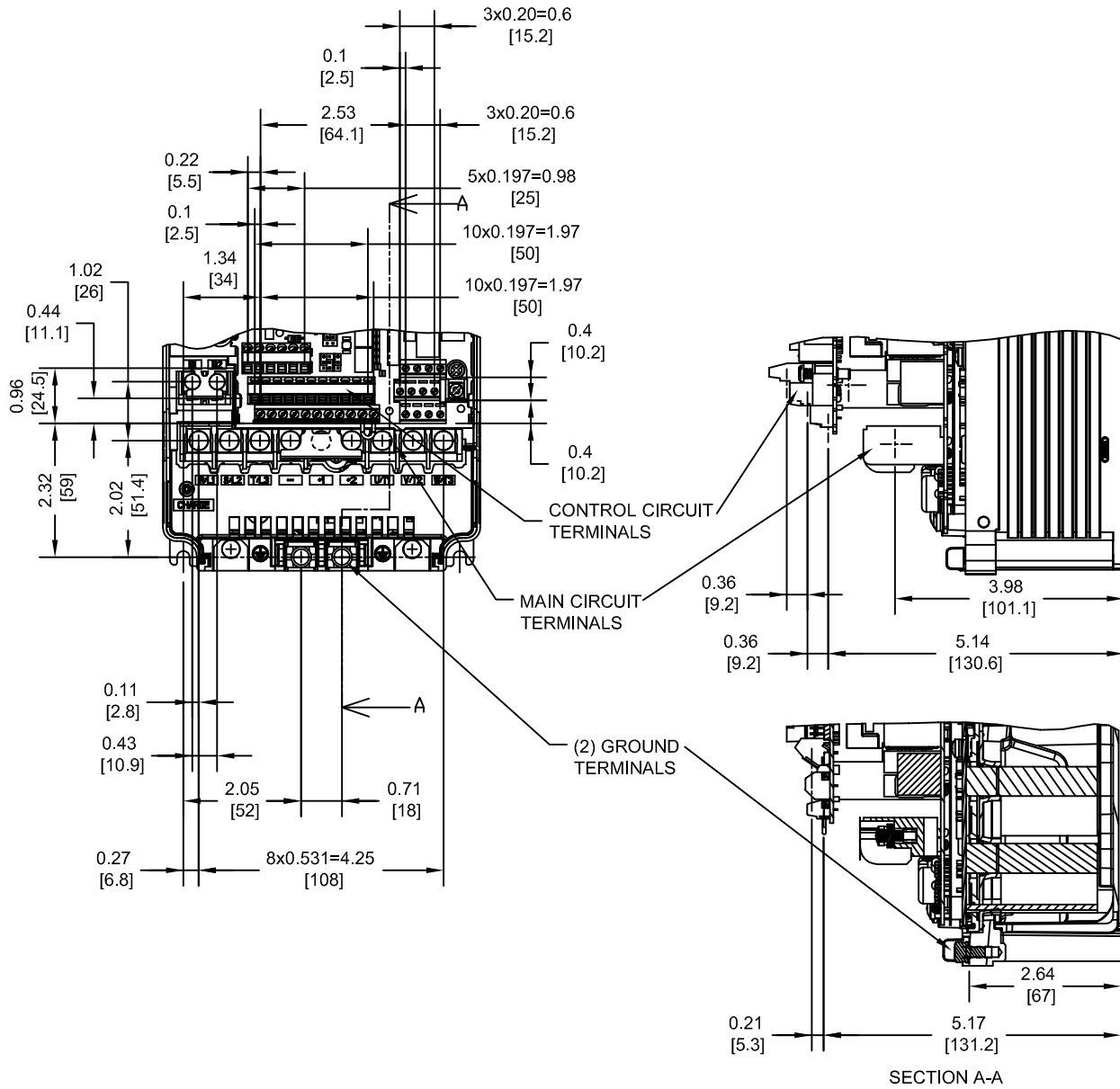
FOR ADDITIONAL DETAILS AND SPECIFICATIONS, CONSULT MANUAL

TOLERANCES / REFERENCES:  
  
UNITS: IN [mm]  
SCALE: 1:4

**YASKAWA**  
*THIS DOCUMENT AND INFORMATION CONTAINED IN IT ARE CONFIDENTIAL, AND CANNOT BE COPIED OR DISCLOSED IN WHOLE OR IN PART WITHOUT THE EXPRESS WRITTEN CONSENT OF YASKAWA AMERICA, INC.*

DRAWN: J. MATTAS	DATE 11-6-12	TITLE: P1000 DIMENSION DRAWING
CHECKED: J. PIOTROWSKI	DATE 1-17-13	FRAME SIZE 3
TECH: J. BORJA	DATE 1-22-13	DESIGNED FOR IP54/N12 ENCLOSURES
APPROVED: J. CAIRO	DATE 5-29-13	2A0030 - 40, 4A0018 - 23, 5A0011
ORIGINAL DESIGN: -	DATE -	SIZE: R00 REVISION: R00 PAGE: 1 of 3
		DRAWING #: <b>DD.P1K.FR3.FLNG</b>

TERMINAL AND WIRING DETAILS (SCALE 1:3)



TERMINAL AND WIRE SPECIFICATIONS FOR MAIN CIRCUIT AND GROUND

MODEL # CIMR-PU	TERMINAL SYMBOL	TERMINAL SCREW	CLAMPING TORQUE lb.in.(N.m.)	WIRE RANGE AWG(mm <sup>2</sup> )
2A0030 2A0040	R/L1, S/L2, T/L3, U/T1, V/T2, W/T3,	M4	20.4 (2.3)	10-6 (6.0-16)
4A0018 4A0023 5A0011	⊖, ⊕1, ⊕2, B1, B2			12-6 (4.0-16)
	⊕	M5	17.7 TO 22.1 (2 TO 2.5)	12-10 (4.0-6.0)

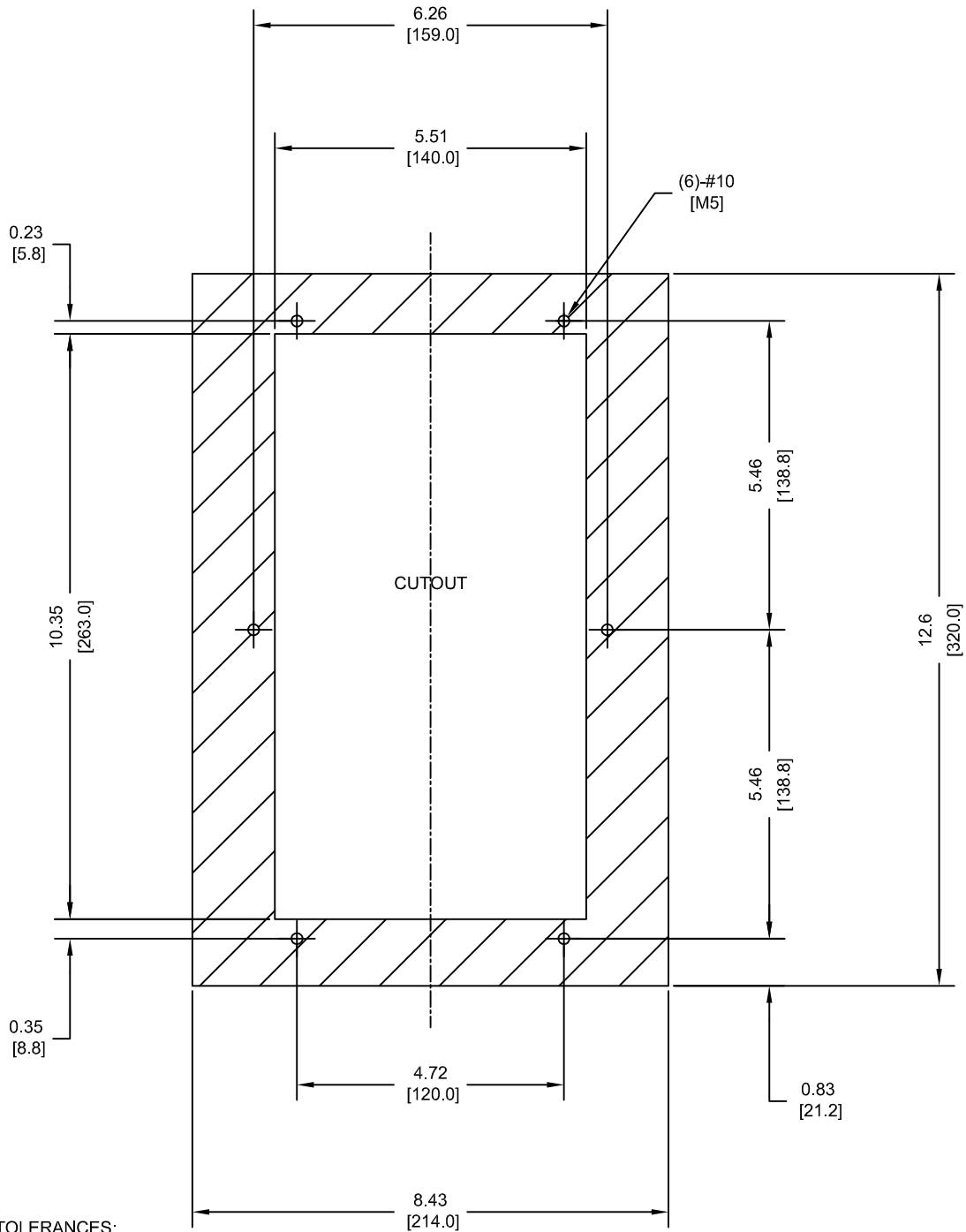
NOTE: REFER TO APPLICABLE CODES FOR PROPER WIRE TYPE AND SIZE

FOR ADDITIONAL DETAILS AND SPECIFICATIONS, CONSULT MANUAL

TOLERANCES / REFERENCES:			DRAWN: J. MATTAS DATE: 11-6-12	TITLE: P1000 DIMENSION DRAWING FRAME SIZE 3 DESIGNED FOR IP54/N12 ENCLOSURES 2A0030 - 40, 4A0018 - 23, 5A0011	
UNITS: IN [mm]			CHECKED: J. PIOTROWSKI DATE: 1-17-13	TECH: J. BORJA DATE: 1-22-13	SIZE: A
SCALE: BY VIEW		APPROVED: J. CAIRO DATE: 5-29-13		ORIGINAL DESIGN: -	PAGE: 2 of 3
				DRAWING #: DD.P1K.FR3.FLNG	

THIS DOCUMENT AND INFORMATION CONTAINED IN IT ARE CONFIDENTIAL, AND CANNOT BE COPIED OR DISCLOSED IN WHOLE OR IN PART WITHOUT THE EXPRESS WRITTEN CONSENT OF YASKAWA AMERICA, INC.


PANEL CUTOUT FOR EXTERNAL HEATSINK  
MOUNTING CONFIGURATION (SCALE 1:3)



NOTES:

- CUTOUT TOLERANCES:  
+/- 0.02IN (0.5MM)
- EXPOSED HEATSINK  
RECOMMENDED CLEARANCE  
D=2.36" MINUS PANEL THICKNESS

FOR ADDITIONAL DETAILS AND SPECIFICATIONS, CONSULT MANUAL

TOLERANCES / REFERENCES:		 THIS DOCUMENT AND INFORMATION CONTAINED IN IT ARE CONFIDENTIAL, AND CANNOT BE COPIED OR DISCLOSED IN WHOLE OR IN PART WITHOUT THE EXPRESS WRITTEN CONSENT OF YASKAWA AMERICA, INC.	DRAWN: J. MATTAS DATE: 11-6-12	TITLE: P1000 DIMENSION DRAWING FRAME SIZE 3 DESIGNED FOR IP54/N12 ENCLOSURES 2A0030 - 40, 4A0018 - 23, 5A0011	
UNITS: IN [mm]			CHECKED: J. PIOTROWSKI DATE: 1-17-13	TECH: J. BORJA DATE: 1-22-13	SIZE: A
SCALE: BY VIEW		APPROVED: J. CAIRO DATE: 5-29-13	ORIGINAL DESIGN: -	DATE: -	PAGE: 3 of 3
			DRAWING #: <b>DD.P1K.FR3.FLNG</b>		