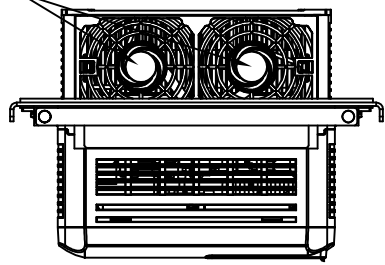
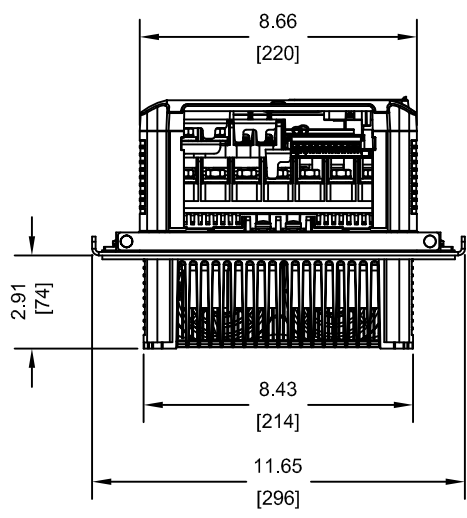
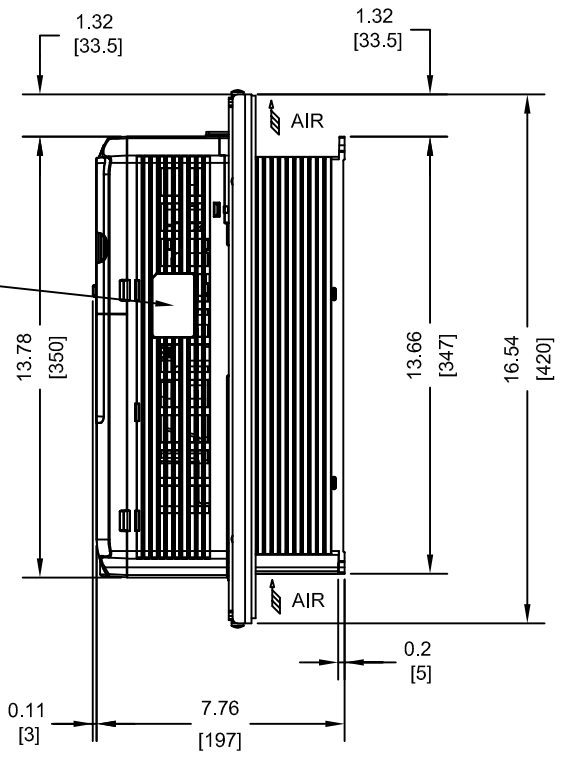
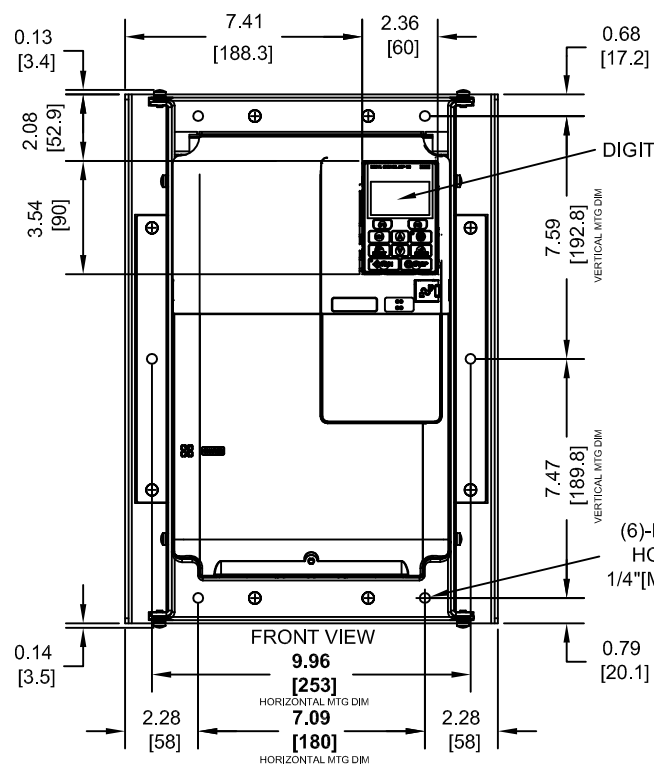


(2) EXTERNAL COOLING FANS



NOTE:
MAXIMUM SURROUNDING AIR TEMPERATURE RATING IS 122F(50C).



MODEL # CIMR-PU	VOLTAGE THREE-PHASE (VAC)	OUTPUT CURRENT (A)	WEIGHT LBS (Kg)	HEAT LOSS (W) (Fc=2kHz)		
				INT	EXT	TOT
2A0069UXX	200/240	69.0	20.0 (9.1)	204.5	491.3	695.8
2A0081UXX		81.0	22.0 (10.0)	257.4	527.4	784.8
4A0044UXX	380/480	44.0	19.1 (8.7)	208.9	389.6	598.5
5A0027UXX	500/600	27.0	19.1 (8.7)	227.2	132.1	359.3
5A0032UXX		32.0	19.1 (8.7)	279.9	141.6	421.5

NOTE:
XX DENOTES AA-ZZ

INT=INTERNAL COMPONENTS
EXT=EXTERNAL HEATSINK
TOT=TOTAL

FOR ADDITIONAL DETAILS AND SPECIFICATIONS, CONSULT MANUAL

TOLERANCES / REFERENCES:

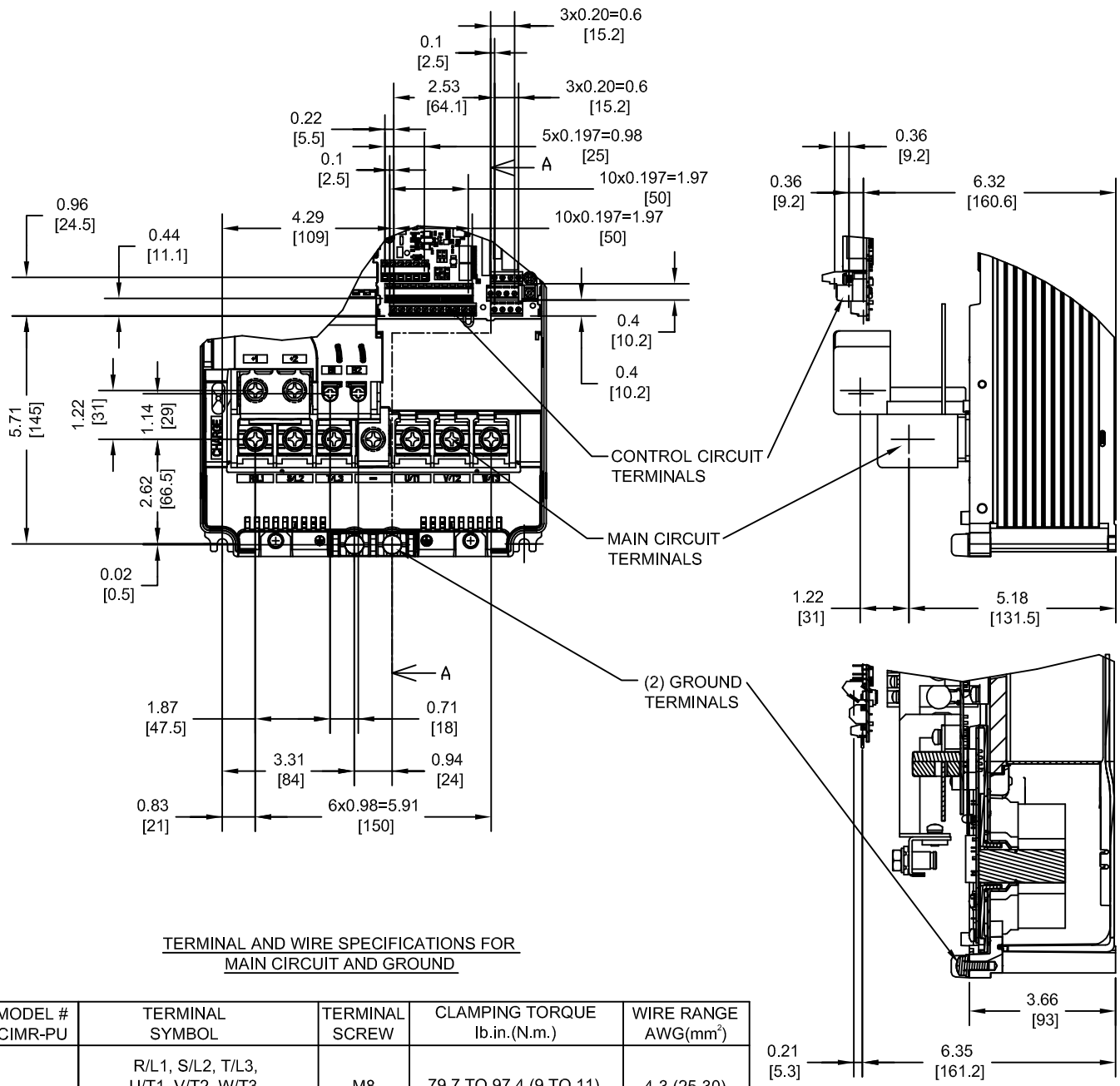
UNITS: IN [mm]
SCALE: 1:6

YASKAWA

THIS DOCUMENT AND INFORMATION CONTAINED IN IT ARE CONFIDENTIAL, AND CANNOT BE COPIED OR DISCLOSED IN WHOLE OR IN PART WITHOUT THE EXPRESS WRITTEN CONSENT OF YASKAWA AMERICA, INC.

DRAWN: J. MATTAS	DATE 11-6-12	TITLE: P1000 DIMENSION DRAWING
CHECKED: J. PIOTROWSKI	DATE 1-17-13	FRAME SIZE 6
TECH: J. BORJA	DATE 1-22-13	DESIGNED FOR IP54/N12 ENCLOSURES
APPROVED: J. CAIRO	DATE 5-29-13	2A0069, 2A0081, 4A0044, 5A0027, 5A0032
ORIGINAL DESIGN: -	DATE -	SIZE: A REVISION: R00 PAGE: 1 of 4
		DRAWING #: DD.P1K.FR6.FLNG

MODEL PU2A0069 & 2A0081
 TERMINAL AND WIRING DETAILS (SCALE 1:4)



TERMINAL AND WIRE SPECIFICATIONS FOR
 MAIN CIRCUIT AND GROUND

MODEL # CIMR-PU	TERMINAL SYMBOL	TERMINAL SCREW	CLAMPING TORQUE lb.in.(N.m.)	WIRE RANGE AWG(mm ²)
2A0069	R/L1, S/L2, T/L3, U/T1, V/T2, W/T3, ⊖, ⊕1, ⊕2,	M8	79.7 TO 97.4 (9 TO 11)	4-3 (25-30)
	B1, B2	M5	17.7 TO 22.1 (2 TO 2.5)	8-6 (10-16)
	⊕	M6	35.4 TO 53.1 (4 TO 6)	6-4 (16-25)
2A0081	R/L1, S/L2, T/L3, U/T1, V/T2, W/T3, ⊖, ⊕1, ⊕2,	M8	79.7 TO 97.4 (9 TO 11)	3-2 (30-35)
	B1, B2	M5	17.7 TO 22.1 (2 TO 2.5)	6 (16)
	⊕	M6	35.4 TO 53.1 (4 TO 6)	6-4 (16-25)

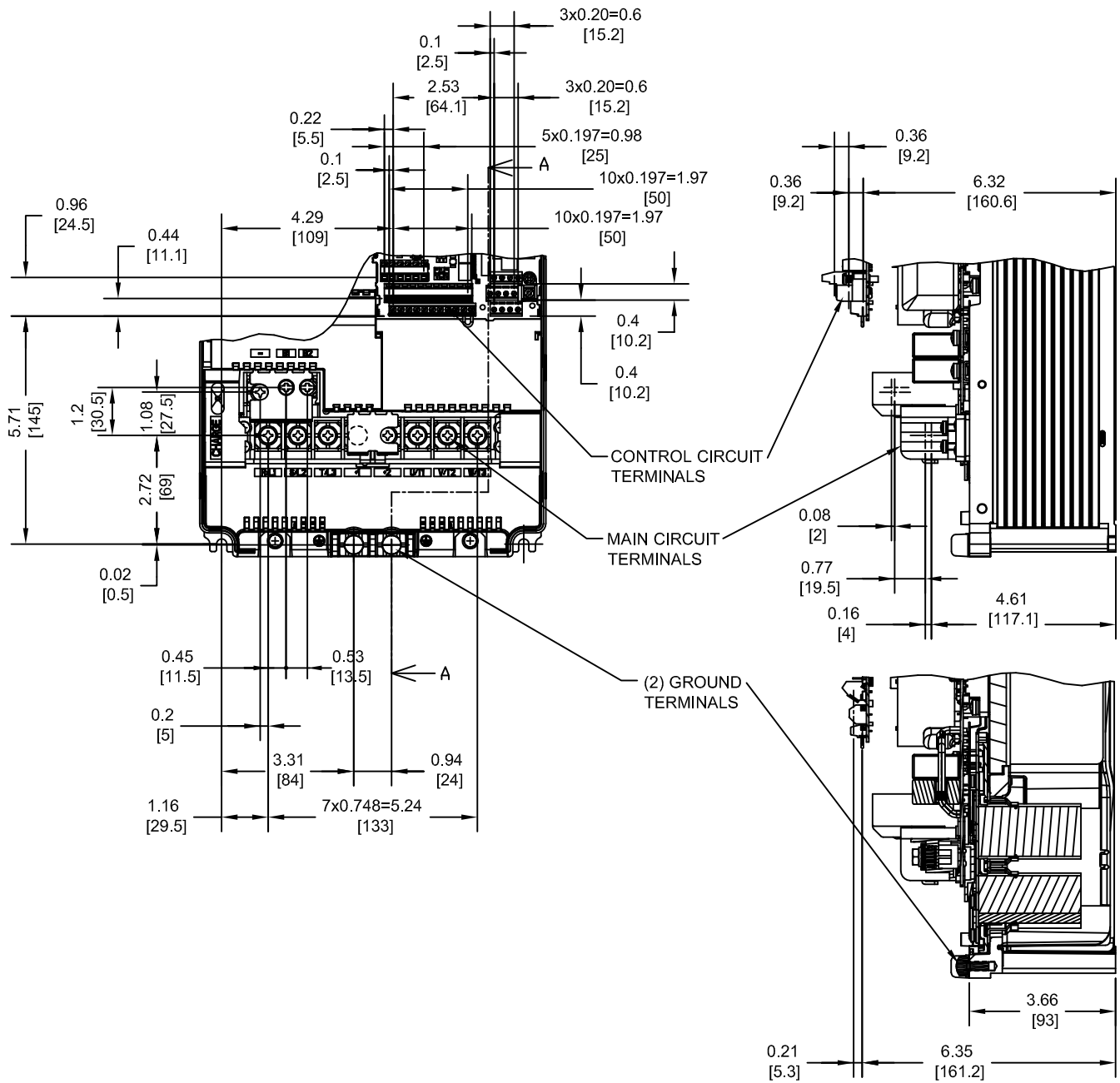
NOTE: REFER TO APPLICABLE CODES FOR PROPER WIRE TYPE AND SIZE

FOR ADDITIONAL DETAILS AND SPECIFICATIONS, CONSULT MANUAL

TOLERANCES / REFERENCES:		DRAWN: J. MATTAS DATE: 11-6-12	TITLE: P1000 DIMENSION DRAWING FRAME SIZE 6 DESIGNED FOR IP54/N12 ENCLOSURES 2A0069, 2A0081, 4A0044, 5A0027, 5A0032		
		CHECKED: J. PIOTROWSKI DATE: 1-17-13	TECH: J. BORJA DATE: 1-22-13	SIZE A	REVISION R00
UNITS: IN[mm]	SCALE: BY VIEW	APPROVED: J. CAIRO DATE: 5-29-13	ORIGINAL DESIGN: -	DATE: -	DRAWING #: DD.P1K.FR6.FLNG

THIS DOCUMENT AND INFORMATION CONTAINED IN IT ARE CONFIDENTIAL, AND CANNOT BE COPIED OR DISCLOSED IN WHOLE OR IN PART WITHOUT THE EXPRESS WRITTEN CONSENT OF YASKAWA AMERICA, INC.

MODELS PU4A0044, 5A0027 & 5A0032
 TERMINAL AND WIRING DETAILS (SCALE 1:4)




TERMINAL AND WIRE SPECIFICATIONS FOR
 MAIN CIRCUIT AND GROUND

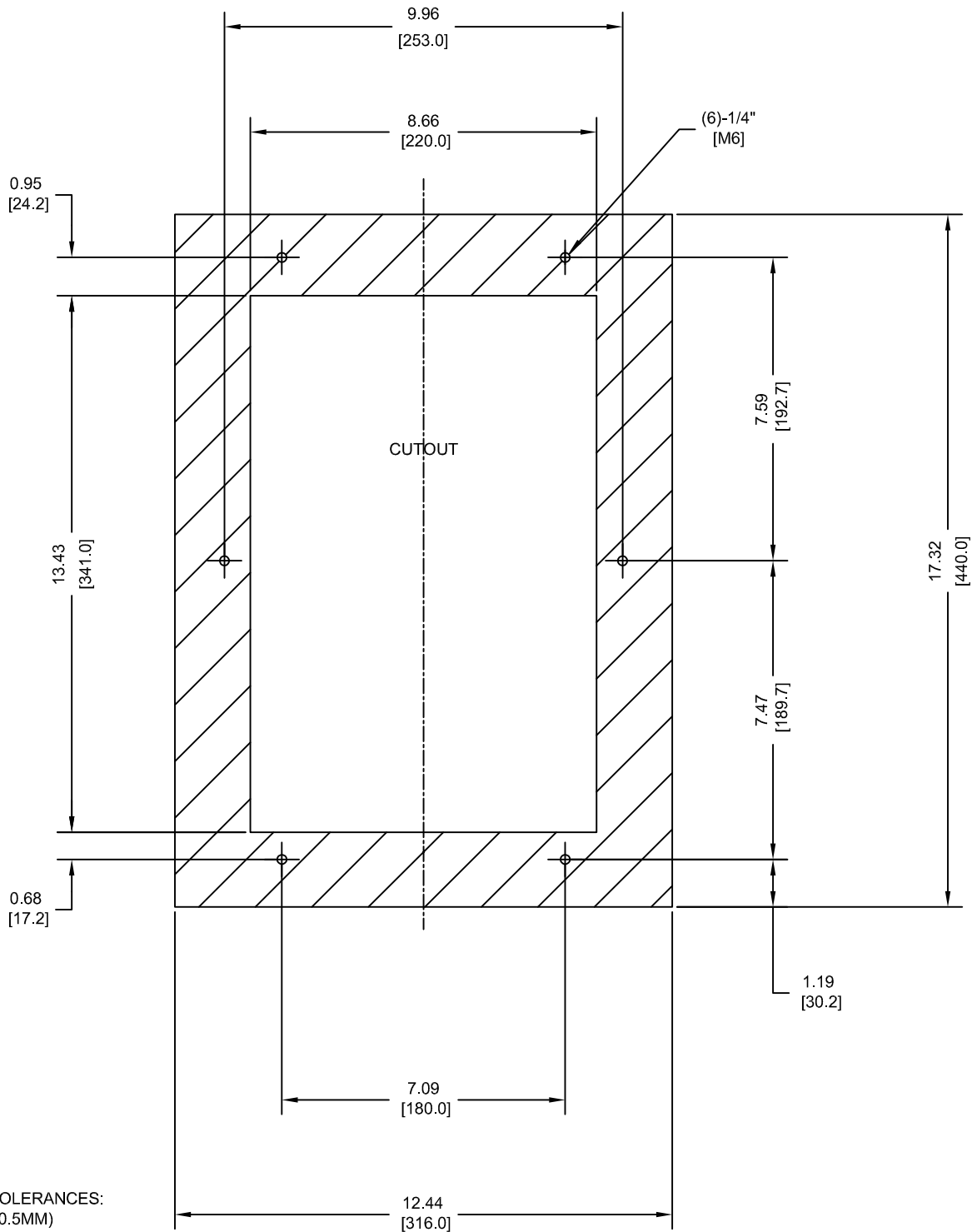
MODEL # CIMR-PU	TERMINAL SYMBOL	TERMINAL SCREW	CLAMPING TORQUE lb.in.(N.m.)	WIRE RANGE AWG(mm ²)
4A0044 5A0027 5A0032	R/L1, S/L2, T/L3, U/T1, V/T2, W/T3, ⊖, ⊕1, ⊕2,	M6	35.4 TO 53.1 (4 TO 6)	6-4 (16-25)
	B1, B2	M5	17.7 TO 22.1 (2 TO 2.5)	10-8 (6.0-10)
	⊕	M6	35.4 TO 53.1 (4 TO 6)	8-6 (10-16)

NOTE: REFER TO APPLICABLE CODES FOR PROPER WIRE TYPE AND SIZE

FOR ADDITIONAL DETAILS AND SPECIFICATIONS, CONSULT MANUAL

TOLERANCES / REFERENCES:  THIS DOCUMENT AND INFORMATION CONTAINED IN IT ARE CONFIDENTIAL, AND CANNOT BE COPIED OR DISCLOSED IN WHOLE OR IN PART WITHOUT THE EXPRESS WRITTEN CONSENT OF YASKAWA AMERICA, INC.	DRAWN: J. MATTAS	DATE: 11-6-12	TITLE: P1000 DIMENSION DRAWING		
	CHECKED: J. PIOTROWSKI	DATE: 1-17-13	FRAME SIZE 6 DESIGNED FOR IP54/N12 ENCLOSURES		
	TECH: J. BORJA	DATE: 1-22-13	2A0069, 2A0081, 4A0044, 5A0027, 5A0032		
	APPROVED: J. CAIRO	DATE: 5-29-13	SIZE: A	REVISION: R00	PAGE: 3 of 4
UNITS: IN[mm]	SCALE: BY VIEW	ORIGINAL DESIGN: -	DATE: -	DRAWING #: DD.P1K.FR6.FLNG	


PANEL CUTOUT FOR EXTERNAL HEATSINK
MOUNTING CONFIGURATION (SCALE 1:4)



NOTES:

1. CUTOUT TOLERANCES:
+/- 0.02IN (0.5MM)
2. EXPOSED HEATSINK
RECOMMENDED CLEARANCE
D=3.35" MINUS PANEL THICKNESS

FOR ADDITIONAL DETAILS AND SPECIFICATIONS, CONSULT MANUAL

TOLERANCES / REFERENCES:			DRAWN: J. MATTAS 11-6-12	TITLE: P1000 DIMENSION DRAWING	
			CHECKED: J. PIOTROWSKI 1-17-13	FRAME SIZE 6 DESIGNED FOR IP54/N12 ENCLOSURES 2A0069, 2A0081, 4A0044, 5A0027, 5A0032	
		THIS DOCUMENT AND INFORMATION CONTAINED IN IT ARE CONFIDENTIAL, AND CANNOT BE COPIED OR DISCLOSED IN WHOLE OR IN PART WITHOUT THE EXPRESS WRITTEN CONSENT OF YASKAWA AMERICA, INC.	TECH: J. BORJA 1-22-13	DATE: 1-22-13	SIZE: A
UNITS: IN [mm]	SCALE: BY VIEW		APPROVED: J. CAIRO 5-29-13	DATE: 5-29-13	REVISION: R00
			ORIGINAL DESIGN: -	DATE: -	DRAWING #: DD.P1K.FR6.FLNG