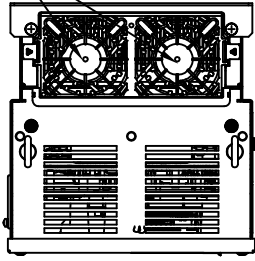
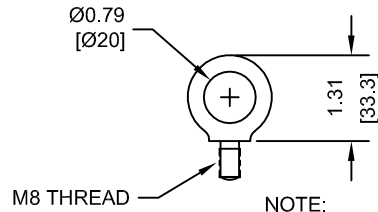


(2) EXTERNAL COOLING FANS

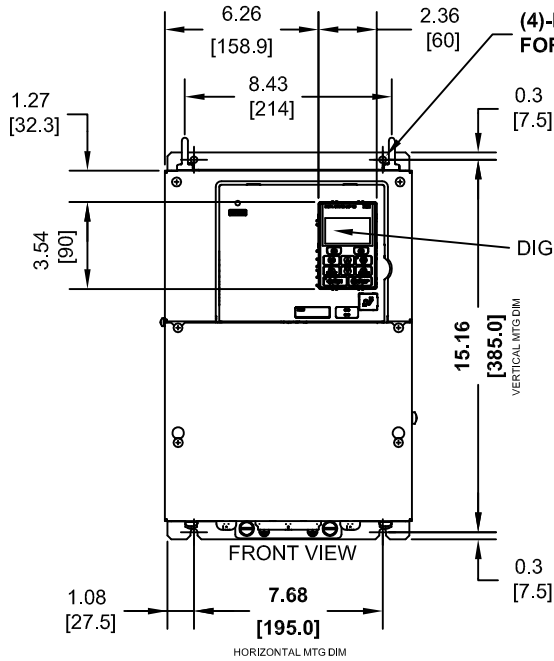


LIFTING AND EYEBOLT DETAILS



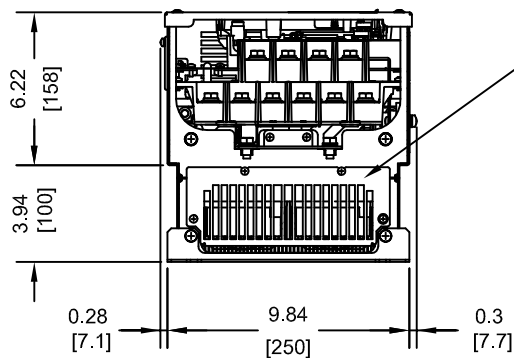
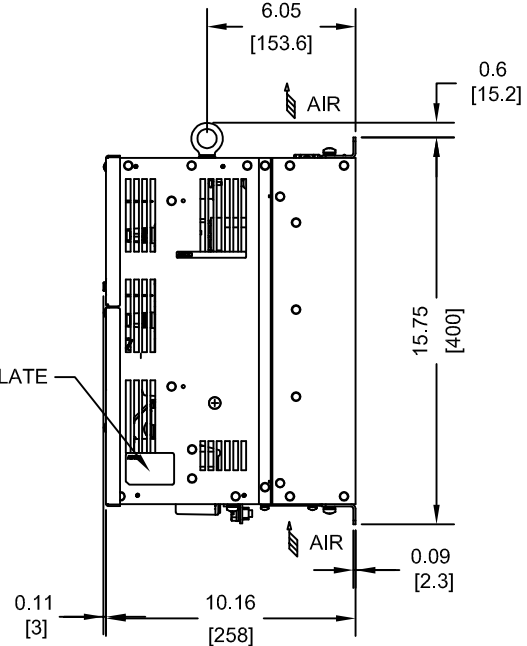
NOTE:
SPREADER BAR REQUIRED TO AVOID DAMAGE DURING LIFTING

(4)-MOUNTING HOLES FOR 1/4" [M6] SCREWS



DIGITAL OPERATOR

NAMEPLATE



OPTIONAL CAPACITOR COVER
WHEN USING AN EXTERNAL MOUNT HEATSINK, UL COMPLIANCE REQUIRES COVERING EXPOSED CAPACITORS IN THE MAIN CIRCUIT TO PREVENT INJURY. CONSULT MANUAL FOR DETAILS.

MODEL # CIMR-PU	INPUT TYPE	VOLTAGE 3-PHASE (VAC)	OUTPUT CURRENT (A)	WEIGHT LBS (Kg)	HEAT LOSS (W) (Fc=2kHz)		
					INT	EXT	TOT
2A0110AXX	6 PULSE	200/240	110.0	46.2 (21)	286	719	1005
4A0058AXX	6 PULSE	380/480	58.0	46.2 (21)	215	471	686
4T0058AXX	12 PULSE	380/480	58.0	44.0 (20)	197	453	650

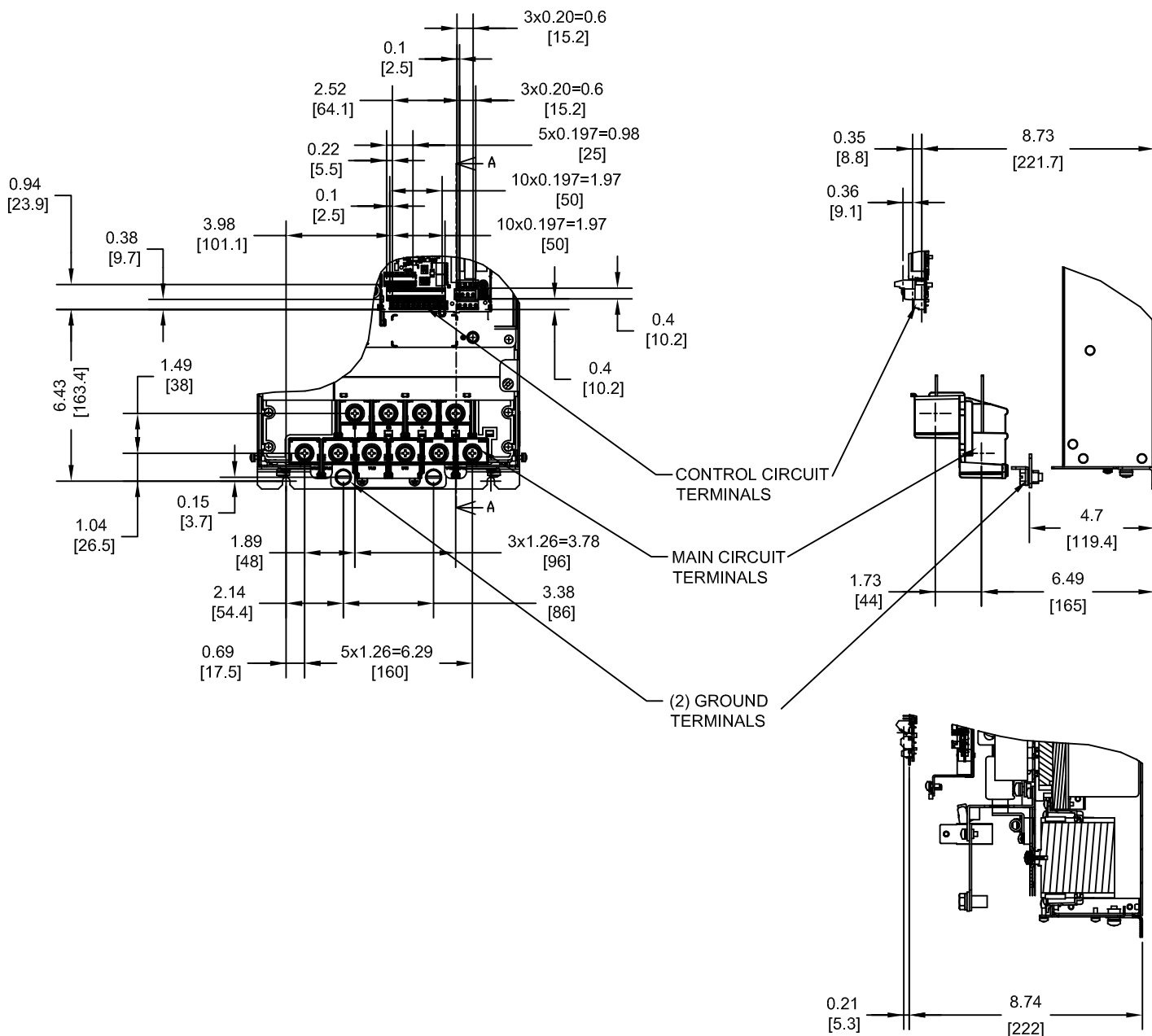
NOTE:
XX DENOTES AA-ZZ

INT=INTERNAL COMPONENTS
EXT=EXTERNAL HEATSINK
TOT=TOTAL

FOR ADDITIONAL DETAILS AND SPECIFICATIONS, CONSULT MANUAL

TOLERANCES / REFERENCES:		<p>THIS DOCUMENT AND INFORMATION CONTAINED IN IT ARE CONFIDENTIAL, AND CANNOT BE COPIED OR DISCLOSED IN WHOLE OR IN PART WITHOUT THE EXPRESS WRITTEN CONSENT OF YASKAWA AMERICA, INC.</p>	DRAWN: J. MATTAS DATE 12-9-11	TITLE: P1000 DIMENSION DRAWING FRAME SIZE 7 IP00 ENCLOSURE 2A0110A, 4A0058A AND 4T0058A		
			CHECKED: J. PIOTROWSKI DATE 1-5-12	SIZE A	REVISION R01	PAGE 1 of 4
			TECH: J. BORJA DATE 1-9-12	DRAWING #: DD.P1K.FR7.IP00		
			APPROVED: J. CAIRO DATE 1-10-12			
UNITS: IN [mm]	SCALE: 1:8	ORIGINAL DESIGN: -				

TERMINAL AND WIRING DETAILS (SCALE 1:6)
FOR 6-PULSE INPUT DRIVES



TERMINAL AND WIRE SPECIFICATIONS FOR
MAIN CIRCUIT AND GROUND

SECTION A-A

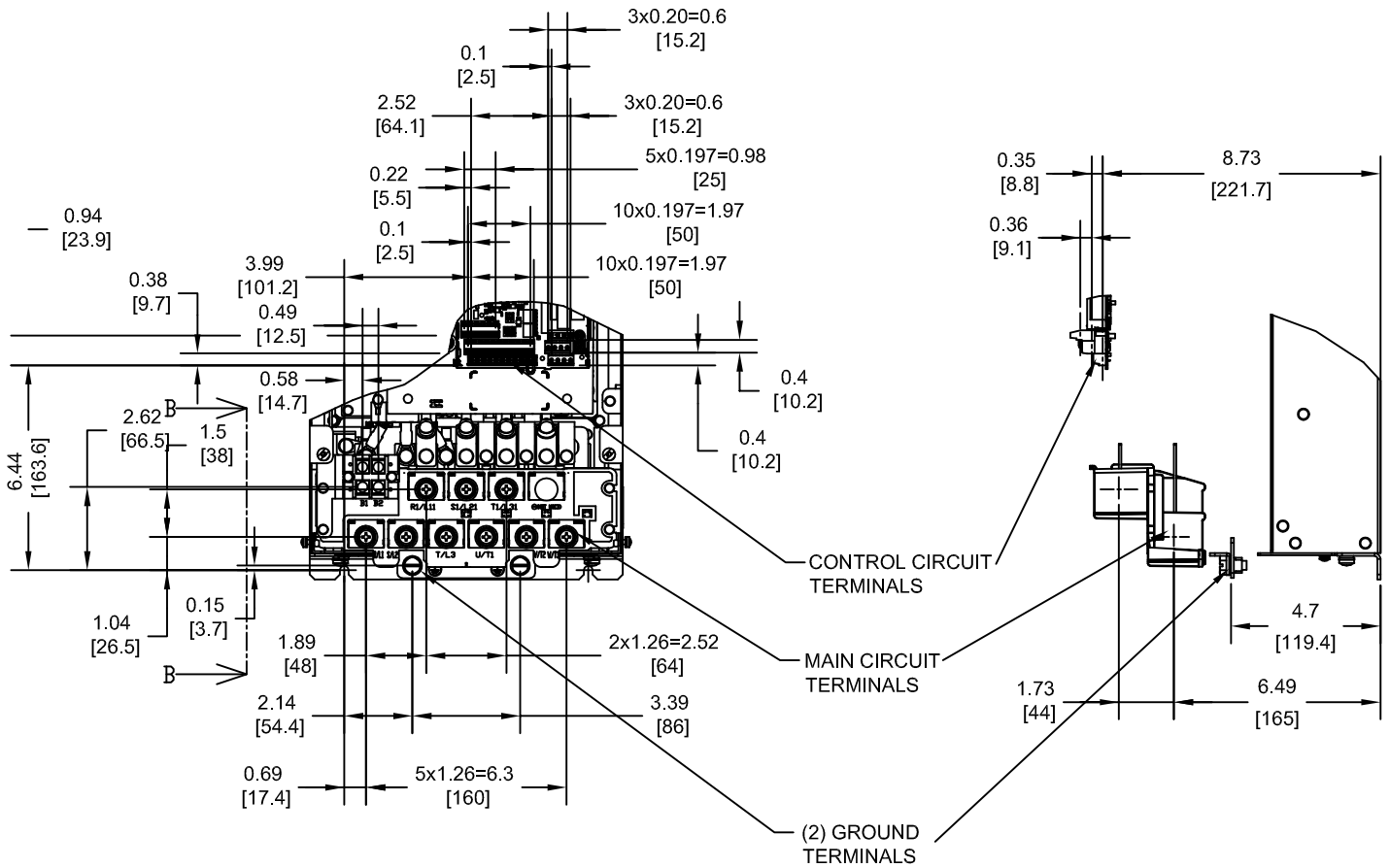
MODEL # CIMR-PU	TERMINAL SYMBOL	TERMINAL SCREW	CLAMPING TORQUE lb.in.(N.m.)	WIRE RANGE AWG(mm ²)
2A0110A 4A0058A	R/L1, S/L2, T/L3	M8	79.7 TO 97.4 (9 TO 11)	10-1/0 (5.3-53.5)
	U/T1, V/T2, W/T3			
	⊖, ⊕1			
	B1, B2			
	⊕	M8	79.7 TO 97.4 (9 TO 11)	SEE NOTE

NOTE: REFER TO APPLICABLE CODES FOR PROPER WIRE TYPE AND SIZE

FOR ADDITIONAL DETAILS AND SPECIFICATIONS, CONSULT MANUAL

TOLERANCES / REFERENCES:			DRAWN: J. MATTAS DATE 12-9-11	TITLE: P1000 DIMENSION DRAWING FRAME SIZE 7 IP00 ENCLOSURE 2A0110A, 4A0058A AND 4T0058A
UNITS: IN [mm]	SCALE: BY VIEW		CHECKED: J. PIOTROWSKI DATE 1-5-12	DATE 1-9-12
THIS DOCUMENT AND INFORMATION CONTAINED IN IT ARE CONFIDENTIAL, AND CANNOT BE COPIED OR DISCLOSED IN WHOLE OR IN PART WITHOUT THE EXPRESS WRITTEN CONSENT OF YASKAWA AMERICA, INC.		TECH: J. BORJA DATE 1-9-12	DATE 1-10-12	SIZE A
		APPROVED: J. CAIRO DATE 1-10-12	DATE -	REVISION R01
		ORIGINAL DESIGN: -	DATE -	PAGE 2 of 4
		DRAWING #: DD.P1K.FR7.IP00		

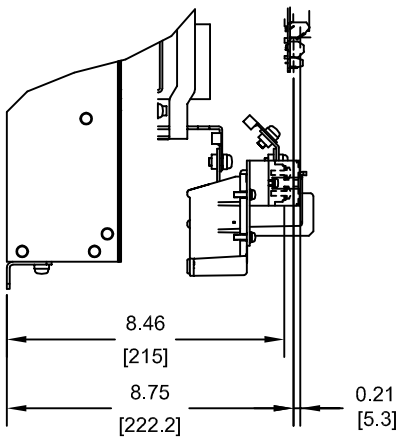
TERMINAL AND WIRING DETAILS (SCALE 1:6)
FOR 12-PULSE INPUT DRIVES



TERMINAL AND WIRE SPECIFICATIONS FOR
MAIN CIRCUIT AND GROUND

MODEL # CIMR-PU	TERMINAL SYMBOL	TERMINAL SCREW	CLAMPING TORQUE lb.in.(N.m.)	WIRE RANGE AWG(mm ²)
4T0058A	R/L1, S/L2, T/L3	M8	79.7 TO 97.4 (9 TO 11)	10-1/0 (5.3-53.5)
	R1/L11, S1/L21, T1/L31			
	U/T1, V/T2, W/T3			
	B1, B2	M4	10.6 (1.2)	22-10 (0.3-5.3)
	⊕	M8	79.7 TO 97.4 (9 TO 11)	SEE NOTE

NOTE: REFER TO APPLICABLE CODES FOR PROPER WIRE TYPE AND SIZE

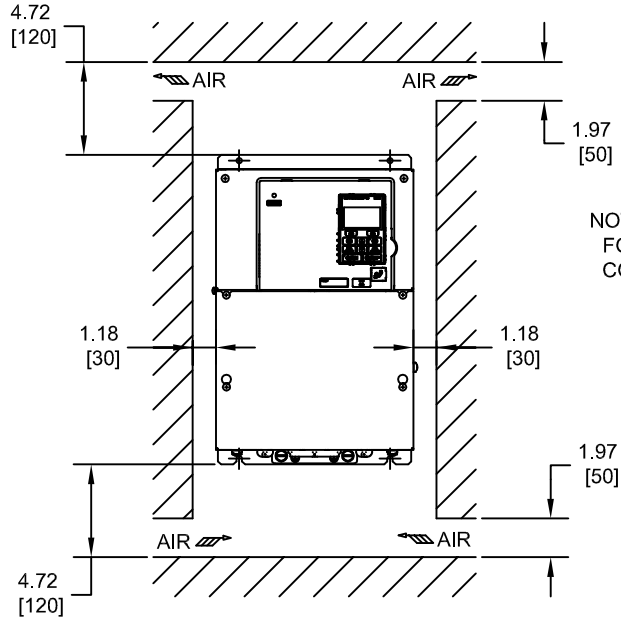


SECTION B-B

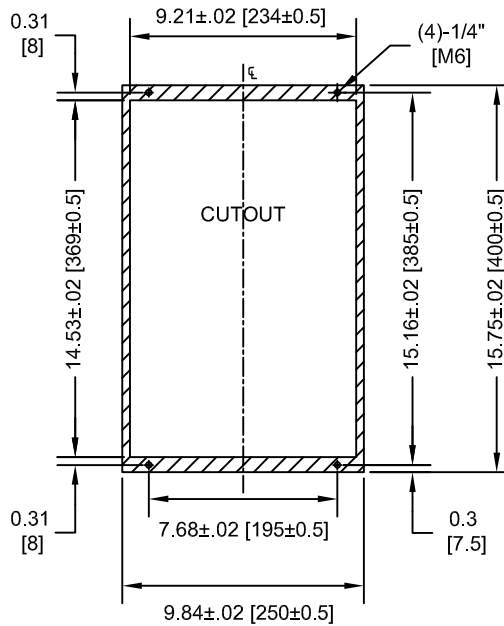
FOR ADDITIONAL DETAILS AND SPECIFICATIONS, CONSULT MANUAL

TOLERANCES / REFERENCES:			DRAWN: J. MATTAS DATE: 12-9-11	TITLE: P1000 DIMENSION DRAWING FRAME SIZE 7 IP00 ENCLOSURE 2A0110A, 4A0058A AND 4T0058A
UNITS: IN [mm] SCALE: BY VIEW			CHECKED: J. PIOTROWSKI DATE: 1-5-12	DATE: 1-9-12
THIS DOCUMENT AND INFORMATION CONTAINED IN IT ARE CONFIDENTIAL, AND CANNOT BE COPIED OR DISCLOSED IN WHOLE OR IN PART WITHOUT THE EXPRESS WRITTEN CONSENT OF YASKAWA AMERICA, INC.		TECH: J. BORJA DATE: 1-9-12	DATE: 1-10-12	SIZE: A REVISION: R01 PAGE: 3 of 4
		APPROVED: J. CAIRO DATE: 1-10-12	DATE: -	DRAWING #: DD.P1K.FR7.IP00

MINIMUM INSTALLATION CLEARANCES (SCALE 1:10)



PANEL CUTOUT FOR EXTERNAL HEATSINK MOUNTING CONFIGURATION (SCALE 1:8)



NOTE:
EXPOSED HEATSINK DEPTH
D=3.94" MINUS PANEL THICKNESS

FOR ADDITIONAL DETAILS AND SPECIFICATIONS, CONSULT MANUAL

TOLERANCES / REFERENCES:			DRAWN: J. MATTAS	DATE 12-9-11	TITLE: P1000 DIMENSION DRAWING FRAME SIZE 7 IP00 ENCLOSURE 2A0110A, 4A0058A AND 4T0058A	
			CHECKED: J. PIOTROWSKI	DATE 1-5-12		
UNITS: IN [mm]		THIS DOCUMENT AND INFORMATION CONTAINED IN IT ARE CONFIDENTIAL, AND CANNOT BE COPIED OR DISCLOSED IN WHOLE OR IN PART WITHOUT THE EXPRESS WRITTEN CONSENT OF YASKAWA AMERICA, INC.		TECH: J. BORJA	DATE 1-9-12	
				APPROVED: J. CAIRO	DATE 1-10-12	
				ORIGINAL DESIGN: -	DATE -	
SCALE: BY VIEW				SIZE A	REVISION R01	PAGE 4 of 4
				DRAWING #: DD.P1K.FR7.IP00		