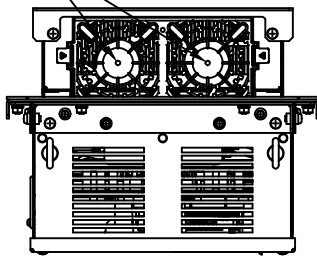
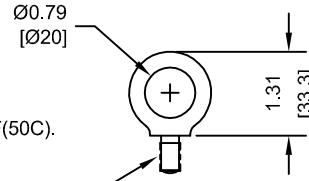


(2) EXTERNAL COOLING FANS



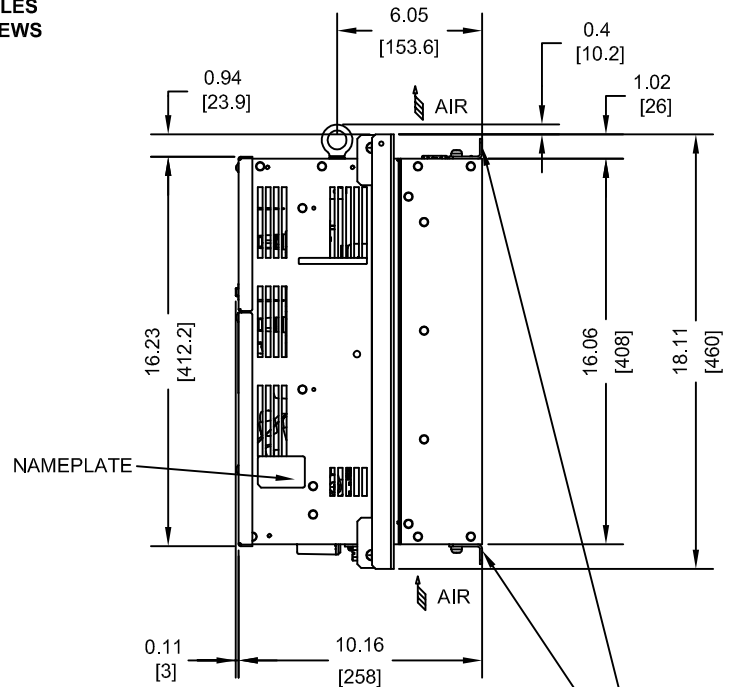
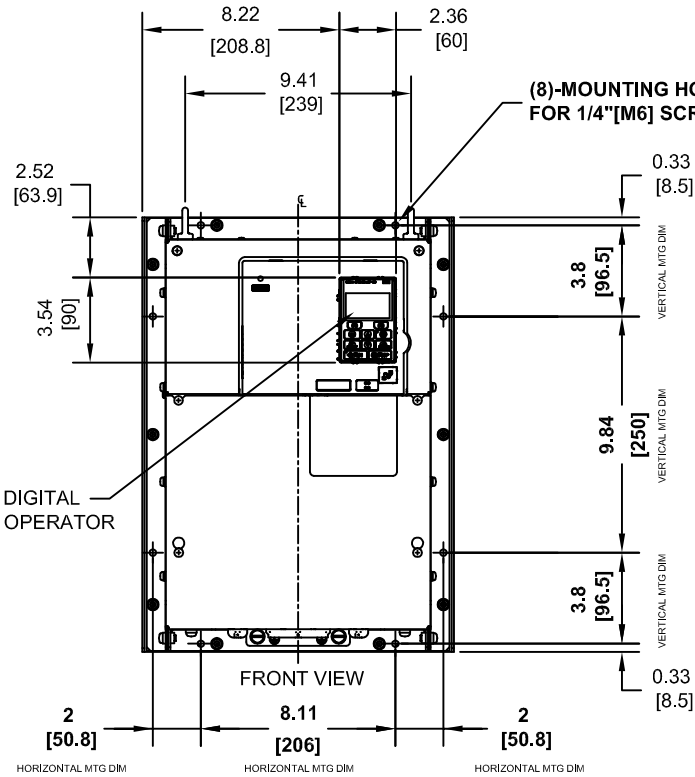
LIFTING AND EYEBOLT DETAILS



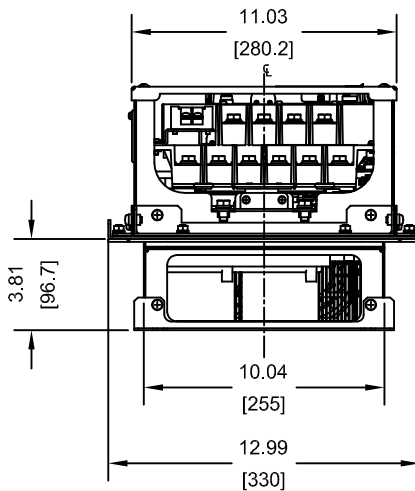
NOTE:
MAXIMUM SURROUNDING AIR
TEMPERATURE RATING IS 122F(50C).

NOTE:
SPREADER BAR REQUIRED TO
AVOID DAMAGE DURING LIFTING

(8)-MOUNTING HOLES
FOR 1/4" [M6] SCREWS



(2)-MOUNTING BRACKETS
USED DURING TRANSPORT ONLY
REMOVE BEFORE INSTALLING



MODEL # CIMR-PU	INPUT TYPE	VOLTAGE 3-PHASE (VAC)	OUTPUT CURRENT (A)	WEIGHT LBS (Kg)	HEAT LOSS (W) (Fc=2kHz)		
					INT	EXT	TOT
2A0138UXX	6 PULSE	200/240	138	61.6 (28)	312	842	1154
4A0072UXX	6 PULSE	380/480	72	59.4 (27)	265	605	870
4T0072UXX	12 PULSE		72	52.8 (24)	244	588	832
5A0041UXX	6 PULSE	500/600	41	59.4 (27)	136	331	467
5A0052UXX	6 PULSE		52	59.4 (27)	166	428	594

NOTE:
XX DENOTES AA-ZZ

INT=INTERNAL COMPONENTS
EXT=EXTERNAL HEATSINK
TOT=TOTAL

FOR ADDITIONAL DETAILS AND SPECIFICATIONS, CONSULT MANUAL

TOLERANCES / REFERENCES:



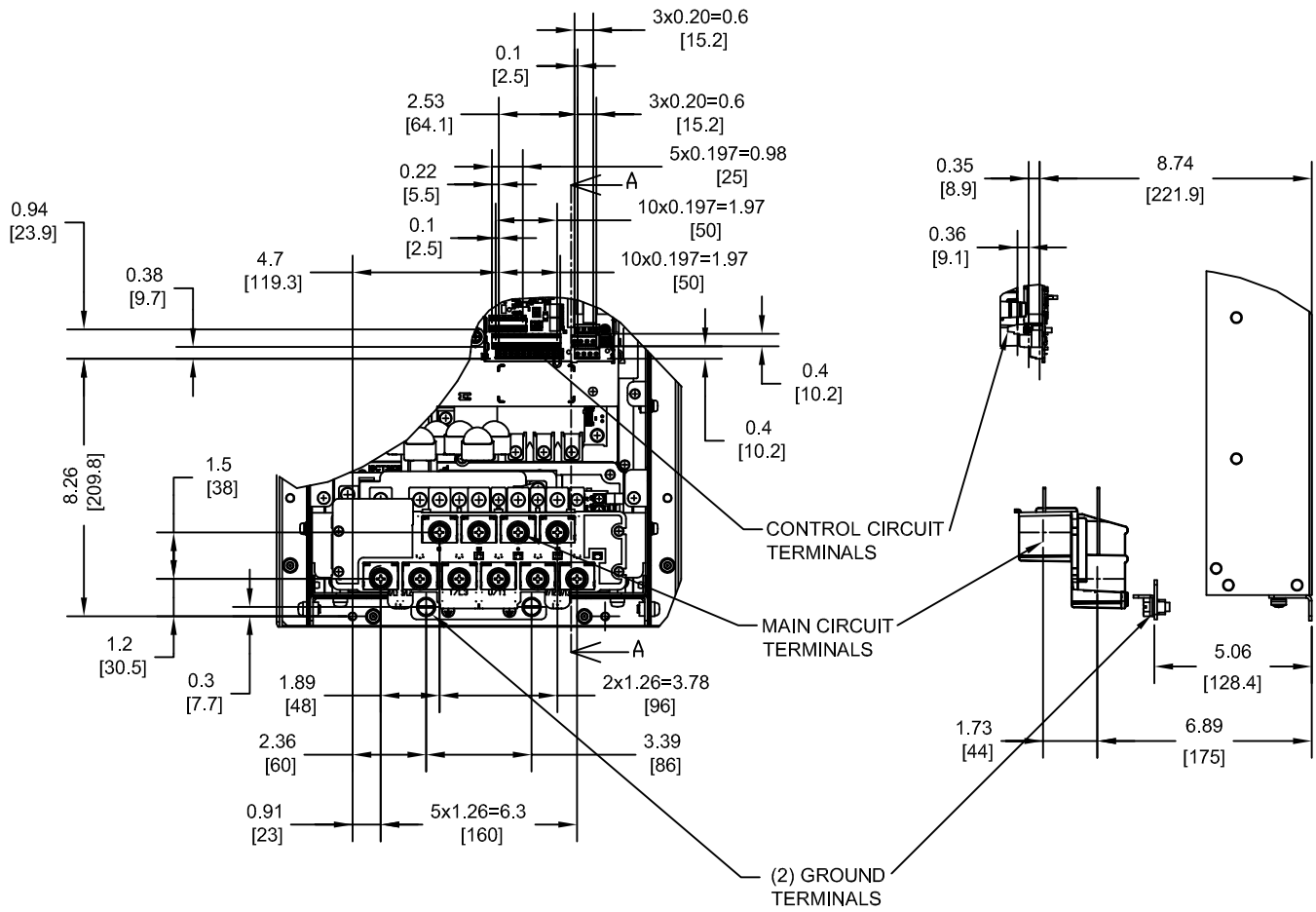
THIS DOCUMENT AND INFORMATION CONTAINED
IN IT ARE CONFIDENTIAL, AND CANNOT BE
COPIED OR DISCLOSED IN WHOLE OR IN PART
WITHOUT THE EXPRESS WRITTEN CONSENT
OF YASKAWA AMERICA, INC.

DRAWN: J. MATTAS	DATE 11-12-12	TITLE: P1000 DIMENSION DRAWING
CHECKED: J. PIOTROWSKI	DATE 1-18-13	FRAME SIZE 8
TECH: J. BORJA	DATE 1-22-13	DESIGNED FOR IP54/TYPE 12 ENCLOSURES
APPROVED: J. CAIRO	DATE 5-29-13	2A0138U, 4A0072U, 4T0072U, 5A0041U & 5A0052U
ORIGINAL DESIGN: -	DATE -	SIZE A
		REVISION R00
		PAGE 1 of 4
		DRAWING #: DD.P1K.FR8.FLNG

UNITS:
IN [mm]

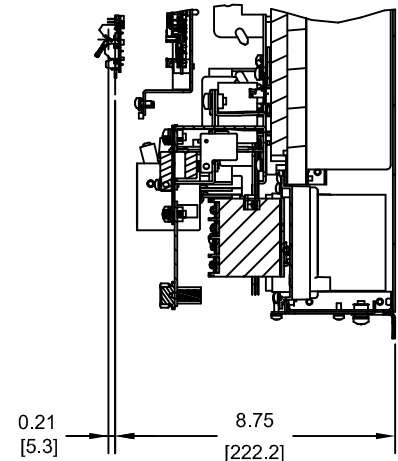
SCALE:
1:8

TERMINAL AND WIRING DETAILS (SCALE 1:6)
FOR 6-PULSE INPUT DRIVES



TERMINAL AND WIRE SPECIFICATIONS FOR
MAIN CIRCUIT AND GROUND

MODEL # CIMR-PU	TERMINAL SYMBOL	TERMINAL SCREW	CLAMPING TORQUE lb.in.(N.m.)	WIRE RANGE AWG(mm ²)
2A0138U	R/L1, S/L2, T/L3	M10	159 TO 204 (18 TO 23)	10-3/0 (5.3-85.0)
	U/T1, V/T2, W/T3			
	⊖, ⊕1			
	B1, B2	M8	79.7 TO 97.4 (9 TO 11)	SEE NOTE
4A0072U 5A0041U 5A0052U	R/L1, S/L2, T/L3	M8	79.7 TO 97.4 (9 TO 11)	10-3/0 (5.3-85.0)
	U/T1, V/T2, W/T3			
	⊖, ⊕1			
	B1, B2	M8	79.7 TO 97.4 (9 TO 11)	SEE NOTE



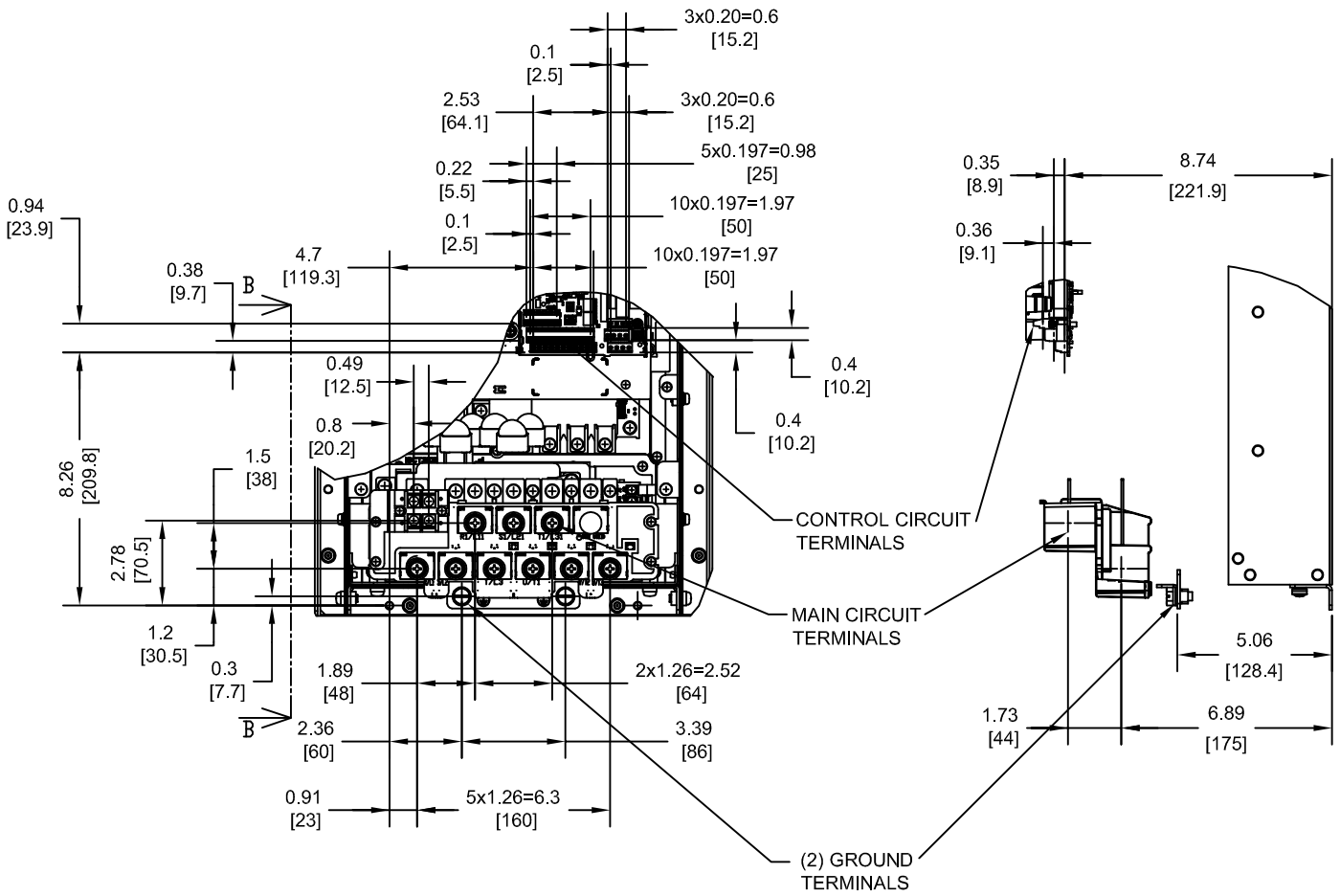
SECTION A-A

NOTE: REFER TO APPLICABLE CODES FOR PROPER WIRE TYPE AND SIZE

FOR ADDITIONAL DETAILS AND SPECIFICATIONS, CONSULT MANUAL

TOLERANCES / REFERENCES:			DRAWN: J. MATTAS DATE: 11-12-12	TITLE: P1000 DIMENSION DRAWING FRAME SIZE 8 DESIGNED FOR IP54/TYPE 12 ENCLOSURES 2A0138U, 4A0072U, 4T0072U, 5A0041U & 5A0052U	
UNITS: IN[mm]			CHECKED: J. PIOTROWSKI DATE: 1-18-13	REVISION R00	
SCALE: BY VIEW		THIS DOCUMENT AND INFORMATION CONTAINED IN IT ARE CONFIDENTIAL, AND CANNOT BE COPIED OR DISCLOSED IN WHOLE OR IN PART WITHOUT THE EXPRESS WRITTEN CONSENT OF YASKAWA AMERICA, INC.	TECH: J. BORJA DATE: 1-22-13	PAGE 2 of 4	
		APPROVED: J. CAIRO DATE: 5-29-13	ORIGINAL DESIGN: -	DRAWING #: DD.P1K.FR8.FLNG	

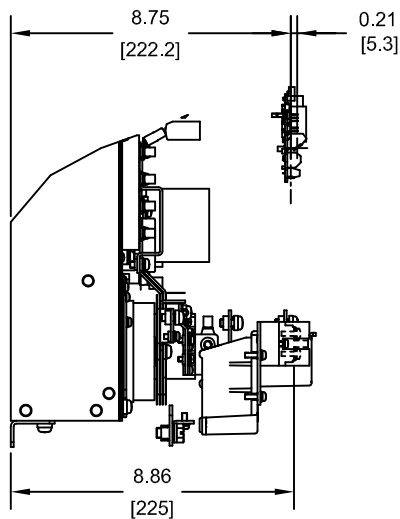
TERMINAL AND WIRING DETAILS (SCALE 1:6)
FOR 12-PULSE INPUT DRIVES



TERMINAL AND WIRE SPECIFICATIONS FOR
MAIN CIRCUIT AND GROUND

MODEL # CIMR-PU	TERMINAL SYMBOL	TERMINAL SCREW	CLAMPING TORQUE lb.in.(N.m.)	WIRE RANGE AWG(mm ²)
4T0072U	R/L1, S/L2, T/L3	M8	79.7 TO 97.4 (9 TO 11)	10-3/0 (5.3-85.0)
	R1/L11, S1/L21, T1/L31			
	U/T1, V/T2, W/T3			
	B1, B2	M4	10.6 (1.2)	22-10 (0.3-5.3)
	⊕	M8	79.7 TO 97.4 (9 TO 11)	SEE NOTE

NOTE: REFER TO APPLICABLE CODES FOR PROPER WIRE TYPE AND SIZE

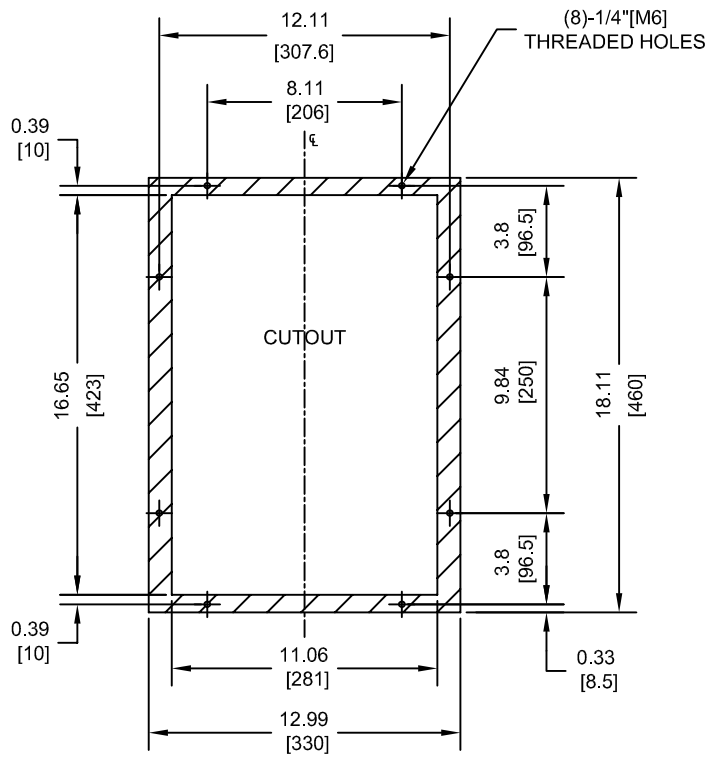


SECTION B-B

FOR ADDITIONAL DETAILS AND SPECIFICATIONS, CONSULT MANUAL

TOLERANCES / REFERENCES:			DRAWN: J. MATTAS 11-12-12	DATE: 11-12-12	TITLE: P1000 DIMENSION DRAWING FRAME SIZE 8 DESIGNED FOR IP54/TYPE 12 ENCLOSURES 2A0138U, 4A0072U, 4T0072U, 5A0041U & 5A0052U		
THIS DOCUMENT AND INFORMATION CONTAINED IN IT ARE CONFIDENTIAL, AND CANNOT BE COPIED OR DISCLOSED IN WHOLE OR IN PART WITHOUT THE EXPRESS WRITTEN CONSENT OF YASKAWA AMERICA, INC.			CHECKED: J. PIOTROWSKI 1-18-13	DATE: 1-18-13	SIZE: A	REVISION: R00	PAGE: 3 of 4
UNITS: IN [mm]	SCALE: BY VIEW	TECH: J. BORJA 1-22-13	DATE: 1-22-13	DRAWING #: DD.P1K.FR8.FLNG			
		APPROVED: J. CAIRO 5-29-13	DATE: 5-29-13				
		ORIGINAL DESIGN: -	DATE: -				

**PANEL CUTOUT FOR EXTERNAL HEATSINK
MOUNTING CONFIGURATION (SCALE 1:8)**



- NOTES:**
- CUTOUT TOLERANCES:
+/- 0.02IN (0.5MM)
 - EXPOSED HEATSINK DEPTH
D=3.81" MINUS PANEL THICKNESS
 - MIN. RECOMMENDED PANEL
THICKNESS: 12 GA

FOR ADDITIONAL DETAILS AND SPECIFICATIONS, CONSULT MANUAL

TOLERANCES / REFERENCES:			DRAWN: J. MATTAS 11-12-12	DATE: 11-12-12	TITLE: P1000 DIMENSION DRAWING		
			CHECKED: J. PIOTROWSKI	DATE:	FRAME SIZE 8 DESIGNED FOR IP54/TYPE 12 ENCLOSURES 2A0138U, 4A0072U, 4T0072U, 5A0041U & 5A0052U		
		TECH: J. BORJA	DATE:	SIZE A		REVISION C	PAGE 4 of 4
		APPROVED: J. CAIRO	DATE:	DRAWING #: DD.P1K.FR8.FLNG			
UNITS: IN [mm]	SCALE: BY VIEW	THIS DOCUMENT AND INFORMATION CONTAINED IN IT ARE CONFIDENTIAL, AND CANNOT BE COPIED OR DISCLOSED IN WHOLE OR IN PART WITHOUT THE EXPRESS WRITTEN CONSENT OF YASKAWA AMERICA, INC.	ORIGINAL DESIGN: -	DATE: -			