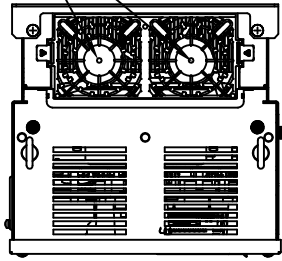
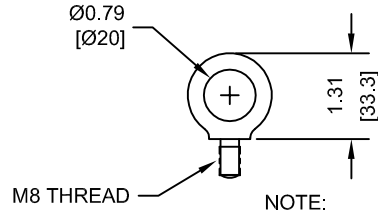


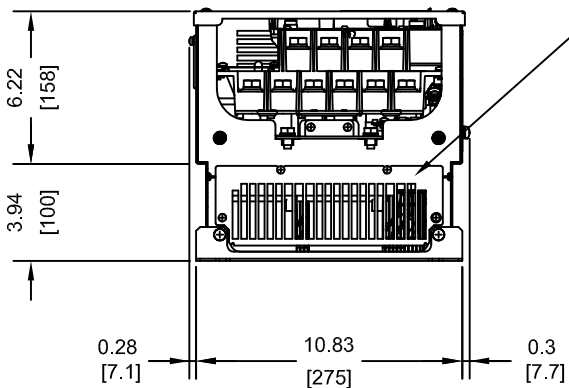
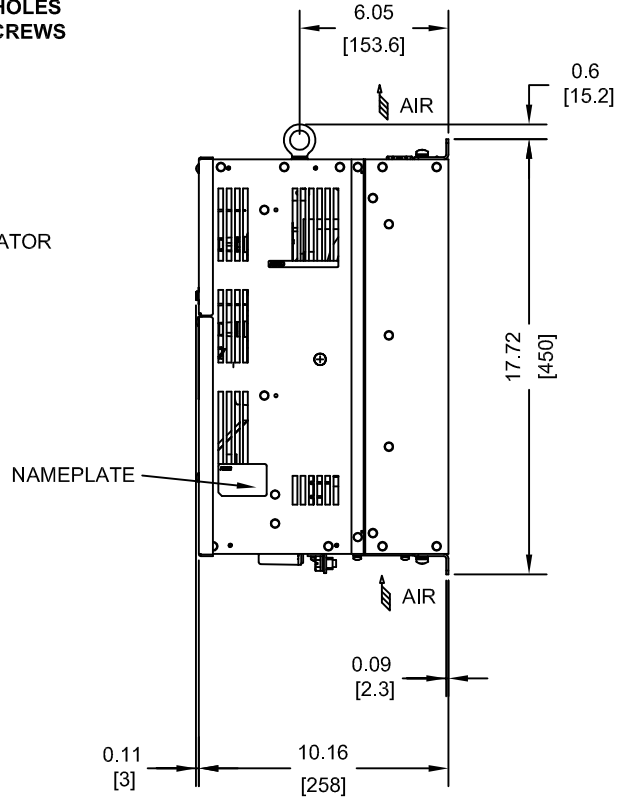
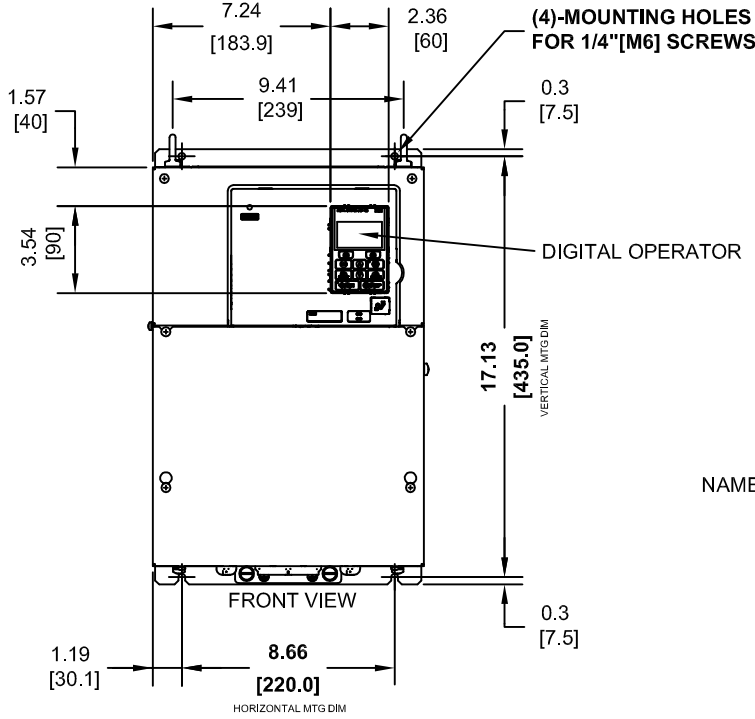
(2) EXTERNAL COOLING FANS



LIFTING AND EYEBOLT DETAILS



NOTE:
SPREADER BAR REQUIRED TO AVOID DAMAGE DURING LIFTING



WHEN USING AN EXTERNAL MOUNT HEATSINK, UL COMPLIANCE REQUIRES COVERING EXPOSED CAPACITORS IN THE MAIN CIRCUIT TO PREVENT INJURY. CONSULT MANUAL FOR DETAILS.

| MODEL # CIMR-PU | INPUT TYPE | VOLTAGE 3-PHASE (VAC) | OUTPUT CURRENT (A) | WEIGHT LBS (Kg) | HEAT LOSS (W) (Fc=2KHz) | | |
|--------------------|---------------|-----------------------------|--------------------------|--------------------|----------------------------|-----|------|
| | | | | | INT | EXT | TOT |
| 2A0138AXX | 6 PULSE | 200/240 | 138 | 55.0 (25) | 312 | 842 | 1154 |
| 4A0072AXX | 6 PULSE | 380/480 | 72 | 55.0 (25) | 265 | 605 | 870 |
| 4T0072AXX | 12 PULSE | | 72 | 50.5 (23) | 244 | 588 | 832 |
| 5A0041AXX | 6 PULSE | 500/600 | 41 | 55.0 (25) | 136 | 331 | 467 |
| 5A0052AXX | 6 PULSE | | 52 | 55.0 (25) | 166 | 428 | 594 |

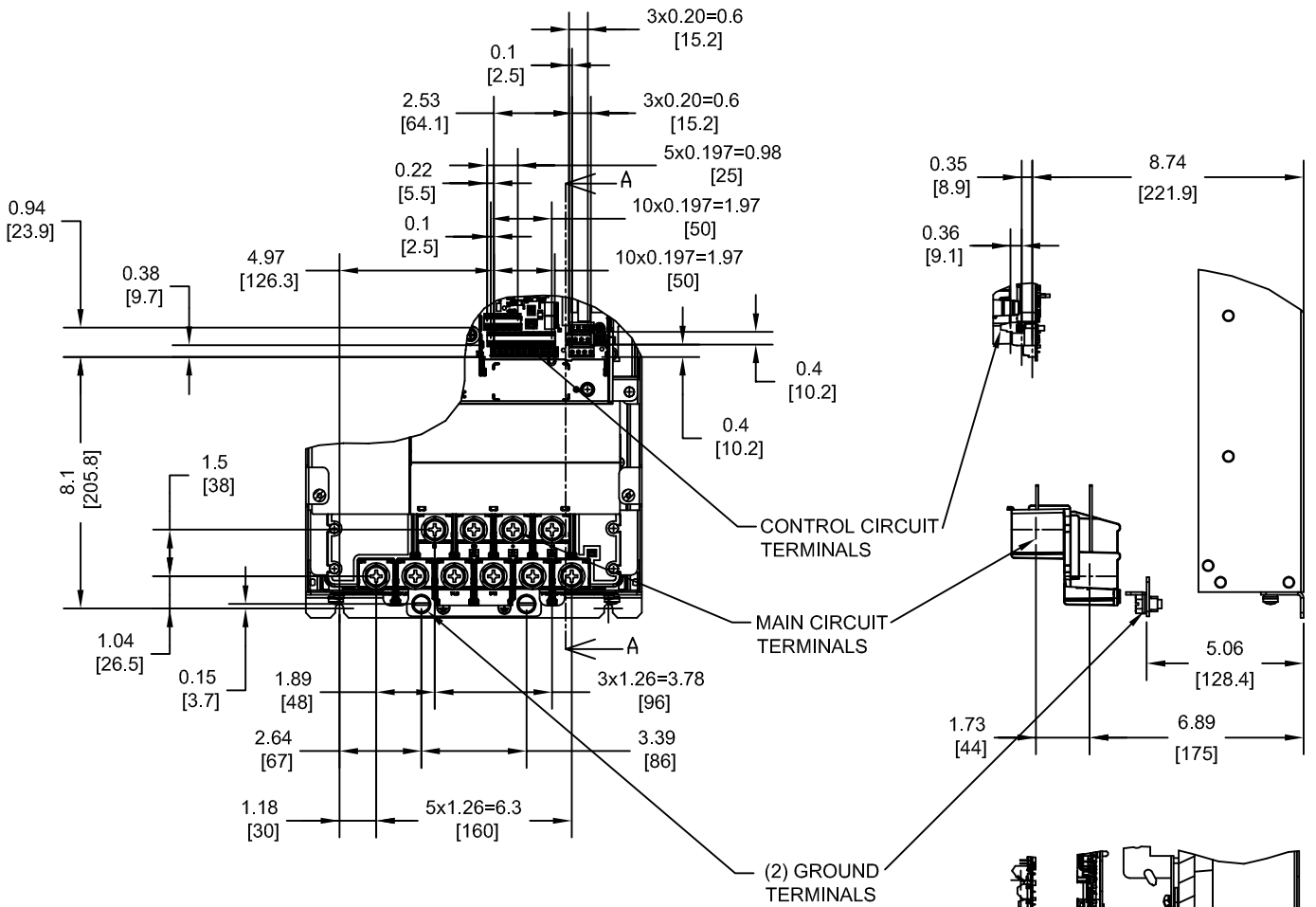
NOTE:
XX DENOTES AA-ZZ

INT=INTERNAL COMPONENTS
EXT=EXTERNAL HEATSINK
TOT=TOTAL

FOR ADDITIONAL DETAILS AND SPECIFICATIONS, CONSULT MANUAL

| | | | | |
|--------------------------|--|--|---|---|
| TOLERANCES / REFERENCES: | | | DRAWN: J. MATTAS DATE 12-9-11 | TITLE: P1000 DIMENSION DRAWING FRAME SIZE 8 IP00 ENCLOSURE |
| UNITS: IN [mm] | | | CHECKED: J. PIOTROWSKI DATE 1-5-12 | 2A0138A, 4A0072A, 4T0072A, 5A0041A & 5A0052A |
| SCALE: 1:8 | | THIS DOCUMENT AND INFORMATION CONTAINED IN IT ARE CONFIDENTIAL, AND CANNOT BE COPIED OR DISCLOSED IN WHOLE OR IN PART WITHOUT THE EXPRESS WRITTEN CONSENT OF YASKAWA AMERICA, INC. | | REVISION R01 |
| | | APPROVED: J. CAIRO DATE 1-10-12 | ORIGINAL DESIGN: - | PAGE 1 of 4 |
| | | DRAWING #: DD.P1K.FR8.IP00 | | |

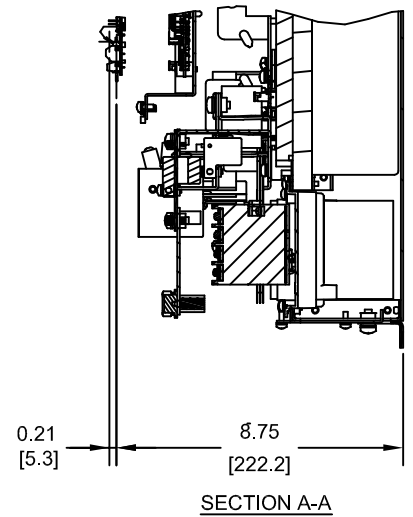
TERMINAL AND WIRING DETAILS (SCALE 1:6)
FOR 6-PULSE INPUT DRIVES



TERMINAL AND WIRE SPECIFICATIONS FOR
MAIN CIRCUIT AND GROUND

| MODEL # CIMR-PU | TERMINAL SYMBOL | TERMINAL SCREW | CLAMPING TORQUE lb.in.(N.m.) | WIRE RANGE AWG(mm ²) |
|-------------------------------|--------------------|-------------------|---------------------------------|-------------------------------------|
| 2A0138A | R/L1, S/L2, T/L3 | M10 | 159 TO 204 (18 TO 23) | 10-3/0 (5.3-85.0) |
| | U/T1, V/T2, W/T3 | | | |
| | ⊖, ⊕1 | | | |
| | B1, B2 | | | |
| | ⊕ | M8 | 79.7 TO 97.4 (9 TO 11) | SEE NOTE |
| 4A0072A 5A0041A 5A0052A | R/L1, S/L2, T/L3 | M8 | 79.7 TO 97.4 (9 TO 11) | 10-3/0 (5.3-85.0) |
| | U/T1, V/T2, W/T3 | | | |
| | ⊖, ⊕1 | | | |
| | B1, B2 | | | |
| | ⊕ | M8 | 79.7 TO 97.4 (9 TO 11) | SEE NOTE |

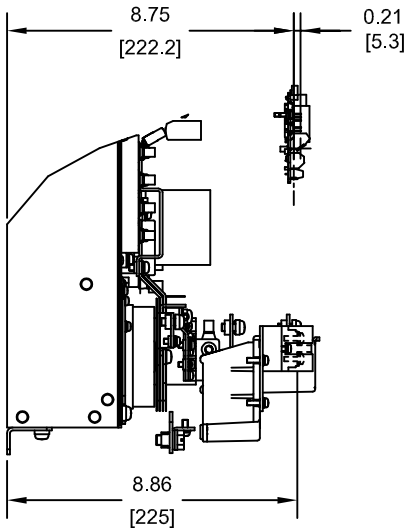
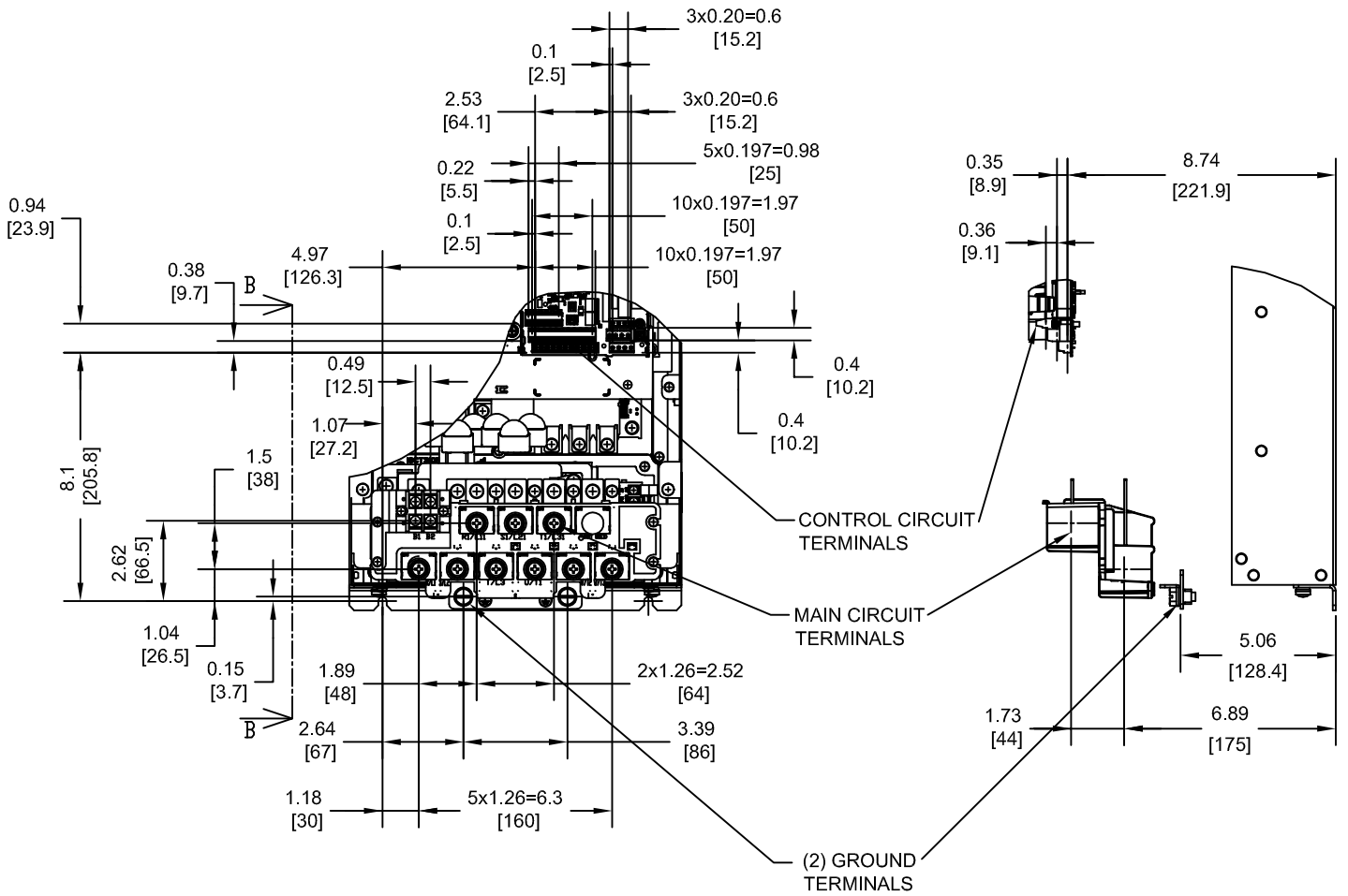
NOTE: REFER TO APPLICABLE CODES FOR PROPER WIRE TYPE AND SIZE



FOR ADDITIONAL DETAILS AND SPECIFICATIONS, CONSULT MANUAL

| | | | | | |
|--------------------------|-------------------|--|--|--|---|
| TOLERANCES / REFERENCES: | | | DRAWN: J. MATTAS CHECKED: J. PIOTROWSKI TECH: J. BORJA APPROVED: J. CAIRO ORIGINAL DESIGN: - | DATE: 12-9-11 DATE: 1-5-12 DATE: 1-9-12 DATE: 1-10-12 DATE: - | TITLE: P1000 DIMENSION DRAWING FRAME SIZE 8 IP00 ENCLOSURE 2A0138A, 4A0072A, 4T0072A, 5A0041A & 5A0052A |
| UNITS: IN [mm] | SCALE: BY VIEW | | THIS DOCUMENT AND INFORMATION CONTAINED IN IT ARE CONFIDENTIAL, AND CANNOT BE COPIED OR DISCLOSED IN WHOLE OR IN PART WITHOUT THE EXPRESS WRITTEN CONSENT OF YASKAWA AMERICA, INC. | SIZE: A REVISION: R01 PAGE: 2 of 4 | DRAWING #: DD.P1K.FR8.IP00 |

TERMINAL AND WIRING DETAILS (SCALE 1:6)
FOR 12-PULSE INPUT DRIVES




SECTION B-B

TERMINAL AND WIRE SPECIFICATIONS FOR
MAIN CIRCUIT AND GROUND

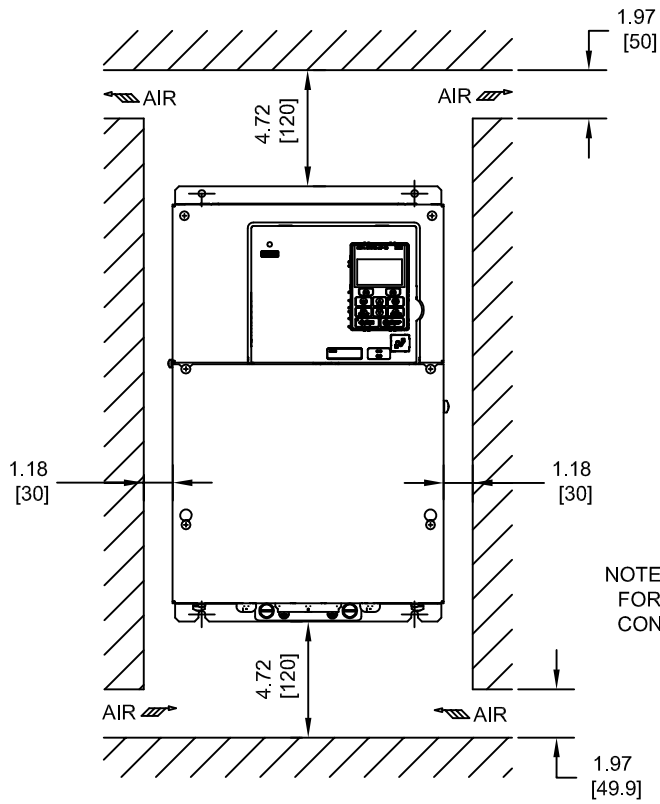
| MODEL # CIMR-PU | TERMINAL SYMBOL | TERMINAL SCREW | CLAMPING TORQUE lb.in.(N.m.) | WIRE RANGE AWG(mm ²) |
|--------------------|------------------------|-------------------|---------------------------------|-------------------------------------|
| 4T0072A | R/L1, S/L2, T/L3 | M8 | 79.7 TO 97.4 (9 TO 11) | 10-3/0 (5.3-85.0) |
| | R1/L11, S1/L21, T1/L31 | | | |
| | U/T1, V/T2, W/T3 | M4 | 10.6 (1.2) | 22-10 (0.3-5.3) |
| | ⊕ | M8 | 79.7 TO 97.4 (9 TO 11) | SEE NOTE |

NOTE: REFER TO APPLICABLE CODES FOR PROPER WIRE TYPE AND SIZE

FOR ADDITIONAL DETAILS AND SPECIFICATIONS, CONSULT MANUAL

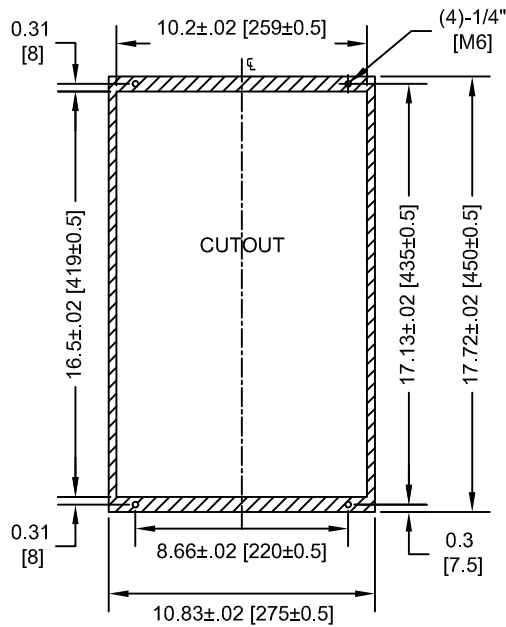
| | | | | |
|--|--|---|---|---|
| TOLERANCES / REFERENCES: | |  | DRAWN: J. MATTAS DATE 12-9-11 | TITLE: P1000 DIMENSION DRAWING FRAME SIZE 8 IP00 ENCLOSURE |
| UNITS: IN [mm] SCALE: BY VIEW | | | CHECKED: J. PIOTROWSKI DATE 1-5-12 | 2A0138A, 4A0072A, 4T0072A, 5A0041A & 5A0052A |
| THIS DOCUMENT AND INFORMATION CONTAINED IN IT ARE CONFIDENTIAL, AND CANNOT BE COPIED OR DISCLOSED IN WHOLE OR IN PART WITHOUT THE EXPRESS WRITTEN CONSENT OF YASKAWA AMERICA, INC. | | TECH: J. BORJA DATE 1-9-12 | SIZE: A REVISION: R01 PAGE: 3 of 4 | |
| | | APPROVED: J. CAIRO DATE 1-10-12 | DRAWING #: DD.P1K.FR8.IP00 | |
| | | ORIGINAL DESIGN: - | | |

MINIMUM INSTALLATION CLEARANCES (SCALE 1:8)



NOTE:
FOR SIDE-BY-SIDE MOUNTING
CONSULT MANUAL

PANEL CUTOUT FOR EXTERNAL HEATSINK
MOUNTING CONFIGURATION (SCALE 1:8)



NOTE:
EXPOSED HEATSINK DEPTH
D=3.94" MINUS PANEL THICKNESS

FOR ADDITIONAL DETAILS AND SPECIFICATIONS, CONSULT MANUAL

| | | | | | |
|--------------------------|-------------------|--------------------------------------|--|---|-------------------------------|
| TOLERANCES / REFERENCES: | | | DRAWN: J. MATTAS DATE: 12-9-11 | TITLE: P1000 DIMENSION DRAWING FRAME SIZE 8 IP00 ENCLOSURE | |
| | | | CHECKED: J. PIOTROWSKI DATE: 1-5-12 | 2A0138A, 4A0072A, 4T0072A, 5A0041A & 5A0052A | |
| | | TECH: J. BORJA DATE: 1-9-12 | APPROVED: J. CAIRO DATE: 1-10-12 | SIZE: A | REVISION: R01 |
| UNITS: IN [mm] | SCALE: BY VIEW | ORIGINAL DESIGN: - | DATE: - | PAGE: 4 of 4 | DRAWING #: DD.P1K.FR8.IP00 |

THIS DOCUMENT AND INFORMATION CONTAINED
IN IT ARE CONFIDENTIAL, AND CANNOT BE
COPIED OR DISCLOSED IN WHOLE OR IN PART
WITHOUT THE EXPRESS WRITTEN CONSENT
OF YASKAWA AMERICA, INC.