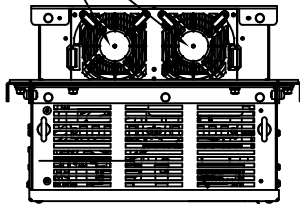
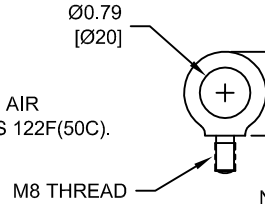


(2) EXTERNAL COOLING FANS

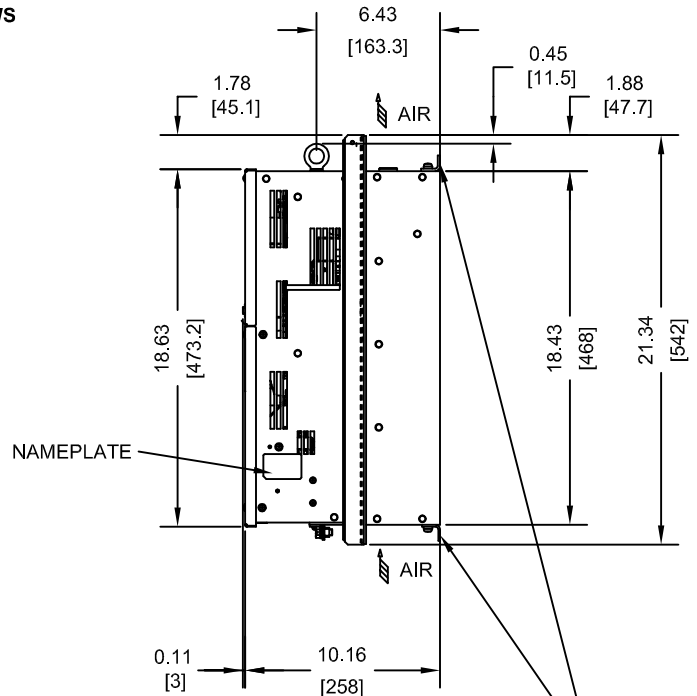
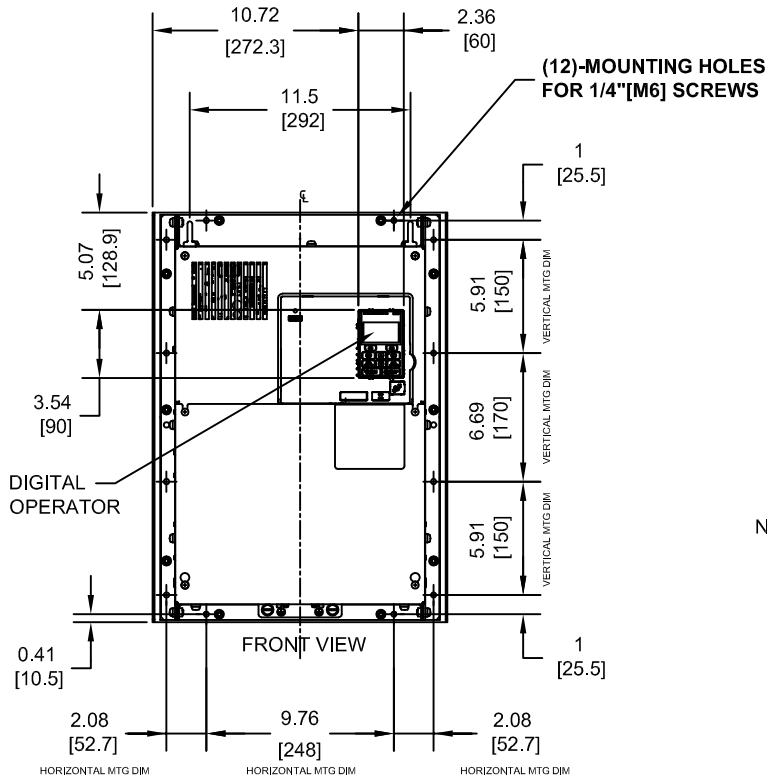


NOTE:
MAXIMUM SURROUNDING AIR
TEMPERATURE RATING IS 122F(50C).

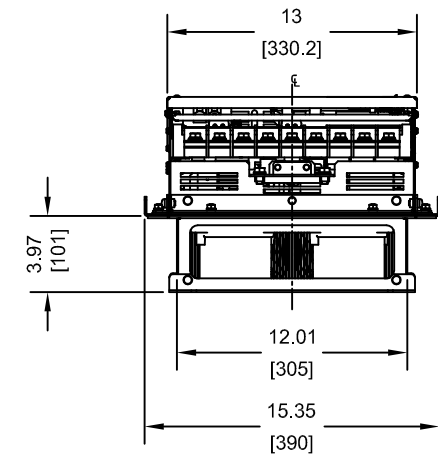
LIFTING AND EYEBOLT DETAILS



NOTE:
SPREADER BAR REQUIRED TO
AVOID DAMAGE DURING LIFTING



(2)-MOUNTING BRACKETS
USED DURING TRANSPORT ONLY
REMOVE BEFORE INSTALLING



MODEL # CIMR-PU	INPUT TYPE	VOLTAGE 3-PHASE (VAC)	OUTPUT CURRENT (A)	WEIGHT LBS (Kg)	HEAT LOSS (W) (Fc=2kHz)		
					INT	EXT	TOT
4A0088UXX	6 PULSE	380/480	88	85.8 (39)	308	684	992
4A0103UXX	6 PULSE		103	85.8 (39)	357	848	1205
4T0088UXX	12 PULSE		88	77.0 (35)	285	669	954
4T0103UXX	12 PULSE		103	77.0 (35)	329	827	1156

NOTE:
XX DENOTES AA-ZZ

INT=INTERNAL COMPONENTS
EXT=EXTERNAL HEATSINK
TOT=TOTAL

FOR ADDITIONAL DETAILS AND SPECIFICATIONS, CONSULT MANUAL

TOLERANCES / REFERENCES:



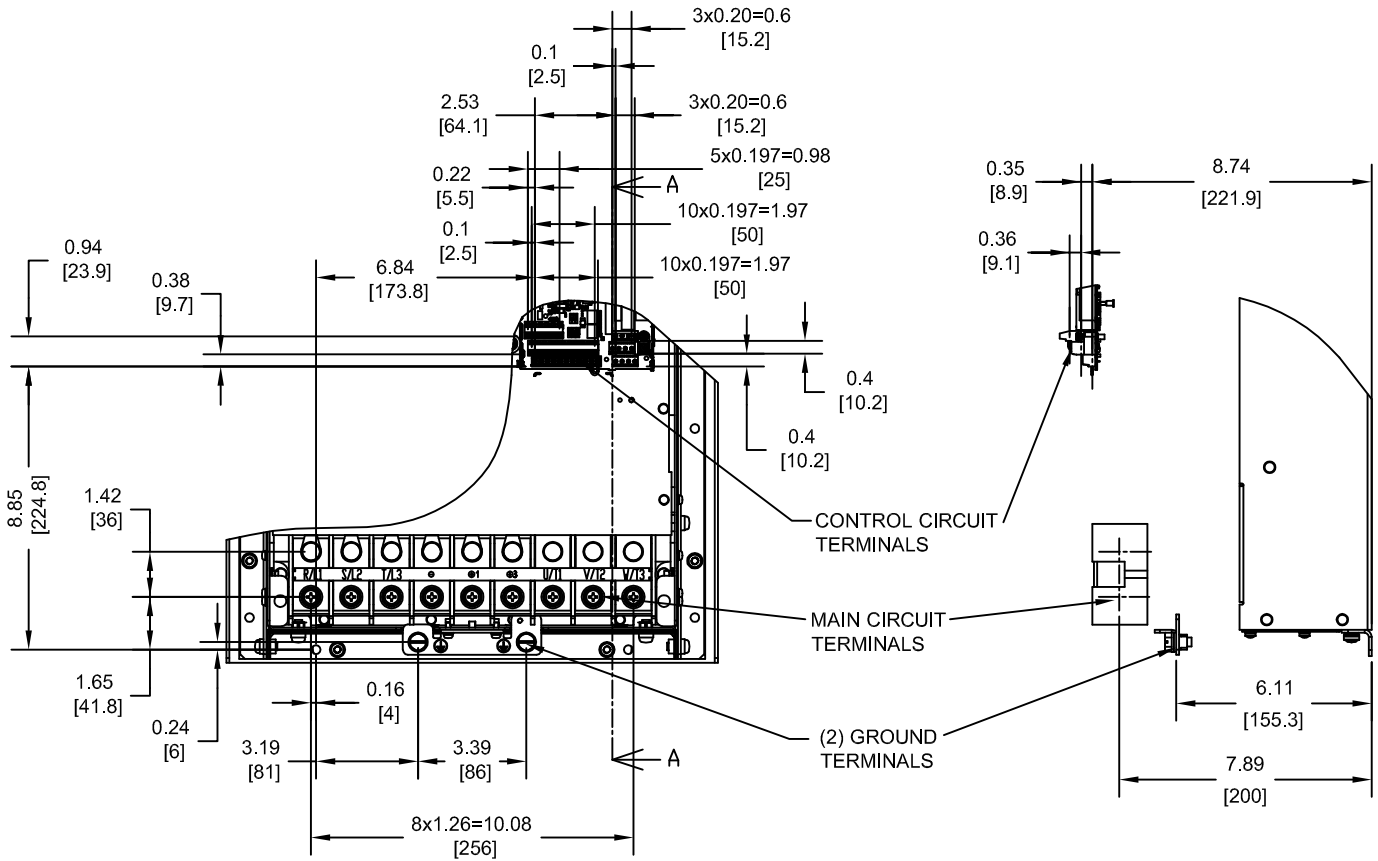
THIS DOCUMENT AND INFORMATION CONTAINED
IN IT ARE CONFIDENTIAL, AND CANNOT BE
COPIED OR DISCLOSED IN WHOLE OR IN PART
WITHOUT THE EXPRESS WRITTEN CONSENT
OF YASKAWA AMERICA, INC.

DRAWN: J. MATTAS	DATE 11-12-12	TITLE: P1000 DIMENSION DRAWING
CHECKED: J. PIOTROWSKI	DATE 1-18-13	FRAME SIZE 9 DESIGNED FOR IP54/TYPE 12 ENCLOSURES
TECH: J. BORJA	DATE 1-22-13	4A0088U, 4A0103U, 4T0088U & 4T0103U
APPROVED: J. CAIRO	DATE 5-29-13	SIZE A
ORIGINAL DESIGN: -	DATE -	REVISION R00
		PAGE 1 of 4
		DRAWING #: DD.P1K.FR9.FLNG

UNITS:
IN [mm]

SCALE:
1:10

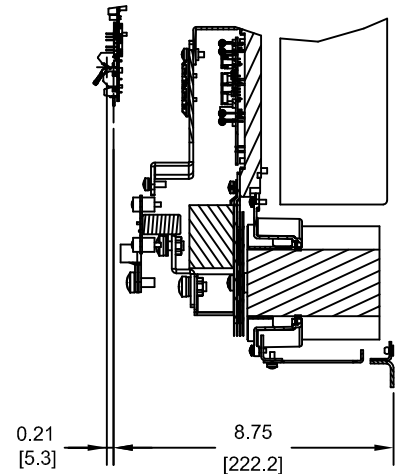
TERMINAL AND WIRING DETAILS (SCALE 1:6)
FOR 6-PULSE INPUT DRIVES



TERMINAL AND WIRE SPECIFICATIONS FOR
MAIN CIRCUIT AND GROUND

MODEL # CIMR-PU	TERMINAL SYMBOL	TERMINAL SCREW	CLAMPING TORQUE lb.in.(N.m.)	WIRE RANGE AWG(mm ²)
4A0088U 4A0103U	R/L1, S/L2, T/L3	M8	79.7 TO 97.4 (9 TO 11)	6-250kcmil (13.3-127)
	U/T1, V/T2, W/T3			
	⊖, ⊕1, ⊕3			
	B1, B2	M8	79.7 TO 97.4 (9 TO 11)	SEE NOTE

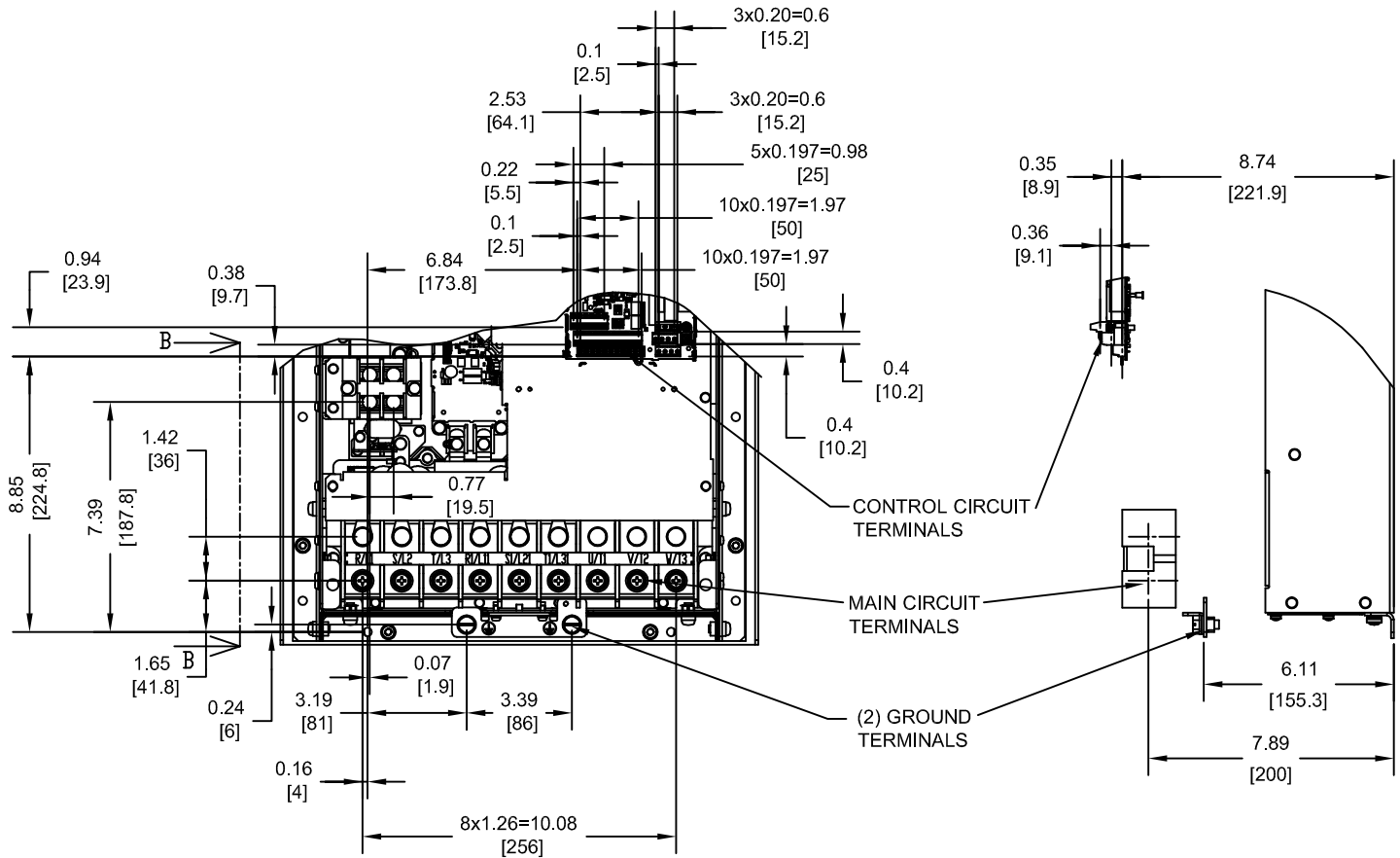
NOTE: REFER TO APPLICABLE CODES FOR PROPER WIRE TYPE AND SIZE



FOR ADDITIONAL DETAILS AND SPECIFICATIONS, CONSULT MANUAL

TOLERANCES / REFERENCES:			DRAWN: J. MATTAS DATE: 11-12-12	TITLE: P1000 DIMENSION DRAWING FRAME SIZE 9 DESIGNED FOR IP54/TYPE 12 ENCLOSURES 4A0088U, 4A0103U, 4T0088U & 4T0103U	
			CHECKED: J. PIOTROWSKI DATE: 1-18-13	TECH: J. BORJA DATE: 1-22-13	REVISION R00
		THIS DOCUMENT AND INFORMATION CONTAINED IN IT ARE CONFIDENTIAL, AND CANNOT BE COPIED OR DISCLOSED IN WHOLE OR IN PART WITHOUT THE EXPRESS WRITTEN CONSENT OF YASKAWA AMERICA, INC.	APPROVED: J. CAIRO DATE: 5-29-13	ORIGINAL DESIGN: -	DRAWING #: DD.P1K.FR9.FLNG
UNITS: IN [mm]	SCALE: BY VIEW				

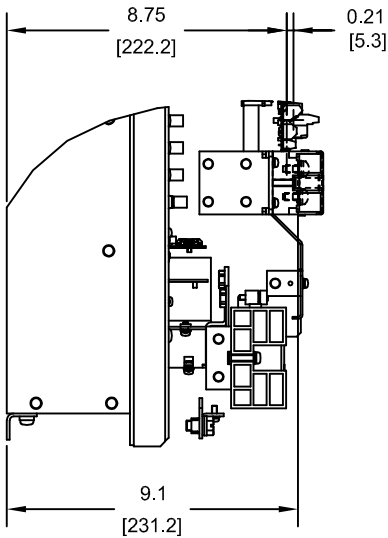
TERMINAL AND WIRING DETAILS (SCALE 1:6)
FOR 12-PULSE INPUT DRIVES



TERMINAL AND WIRE SPECIFICATIONS FOR
MAIN CIRCUIT AND GROUND

MODEL # CIMR-PU	TERMINAL SYMBOL	TERMINAL SCREW	CLAMPING TORQUE lb.in.(N.m.)	WIRE RANGE AWG(mm ²)
4T0088U 4T0103U	R/L1, S/L2, T/L3	M8	79.7 TO 97.4 (9 TO 11)	6-250kcmil (13.3-127)
	R1/L11, S1/L21, T1/L31			
	U/T1, V/T2, W/T3	M6	22.1 TO 26.6 (2.5 TO 3.0)	22-1/0 (0.3-53.5)
	B1, B2			
	⊕	M8	79.7 TO 97.4 (9 TO 11)	SEE NOTE

NOTE: REFER TO APPLICABLE CODES FOR PROPER WIRE TYPE AND SIZE

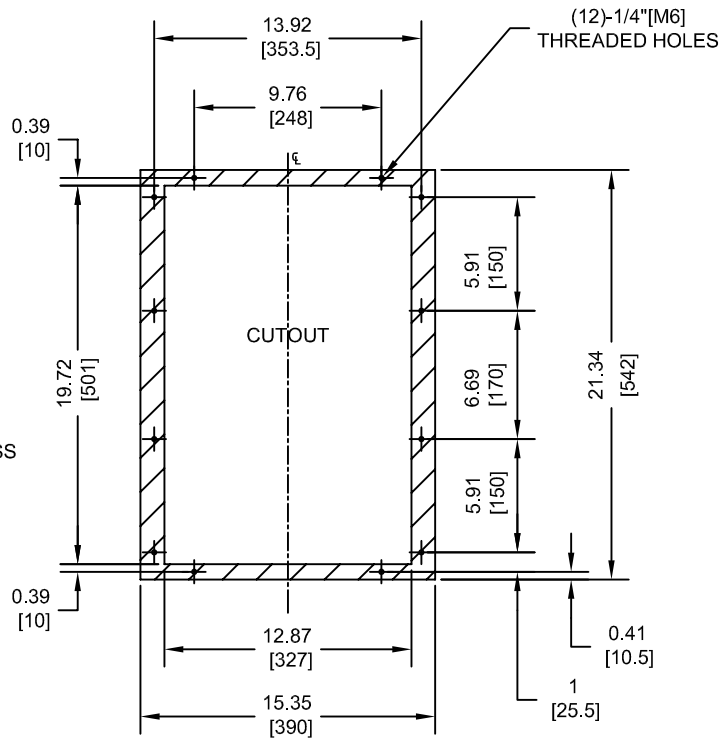


SECTION B-B

FOR ADDITIONAL DETAILS AND SPECIFICATIONS, CONSULT MANUAL

TOLERANCES / REFERENCES:			DRAWN: J. MATTAS CHECKED: J. PIOTROWSKI TECH: J. BORJA APPROVED: J. CAIRO ORIGINAL DESIGN: -	DATE: 11-12-12 DATE: 1-18-13 DATE: 1-22-13 DATE: 5-29-13 DATE: -	TITLE: P1000 DIMENSION DRAWING FRAME SIZE 9 DESIGNED FOR IP54/TYPE 12 ENCLOSURES 4A0088U, 4A0103U, 4T0088U & 4T0103U
UNITS: IN [mm]	SCALE: BY VIEW		THIS DOCUMENT AND INFORMATION CONTAINED IN IT ARE CONFIDENTIAL, AND CANNOT BE COPIED OR DISCLOSED IN WHOLE OR IN PART WITHOUT THE EXPRESS WRITTEN CONSENT OF YASKAWA AMERICA, INC.	SIZE: A	REVISION: R00
			DRAWING #:		DD.P1K.FR9.FLNG

PANEL CUTOUT (SCALE 1:10)



NOTES:

1. CUTOUT TOLERANCES:
+/- 0.02IN (0.5MM)
2. EXPOSED HEATSINK DEPTH
D=3.97" MINUS PANEL THICKNESS
3. MIN. RECOMMENDED PANEL
THICKNESS: 12 GA

FOR ADDITIONAL DETAILS AND SPECIFICATIONS, CONSULT MANUAL

TOLERANCES / REFERENCES:			DRAWN: J. MATTAS 11-12-12	DATE: 11-12-12	TITLE: P1000 DIMENSION DRAWING		
			CHECKED: J. PIOTROWSKI 1-18-13	DATE: 1-18-13	FRAME SIZE 9 DESIGNED FOR IP54/TYPE 12 ENCLOSURES 4A0088U, 4A0103U, 4T0088U & 4T0103U		
		TECH: J. BORJA 1-22-13	DATE: 1-22-13	SIZE: A REVISION: R00 PAGE: 4 of 4			
		APPROVED: J. CAIRO 5-29-13	DATE: 5-29-13	DRAWING #: DD.P1K.FR9.FLNG			
UNITS: IN [mm]	SCALE: BY VIEW	THIS DOCUMENT AND INFORMATION CONTAINED IN IT ARE CONFIDENTIAL, AND CANNOT BE COPIED OR DISCLOSED IN WHOLE OR IN PART WITHOUT THE EXPRESS WRITTEN CONSENT OF YASKAWA AMERICA, INC.		ORIGINAL DESIGN: -	DATE: -		