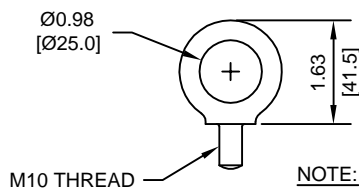
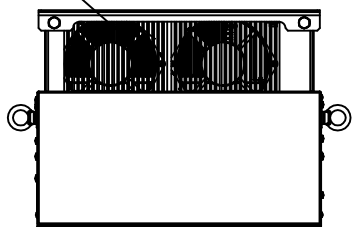


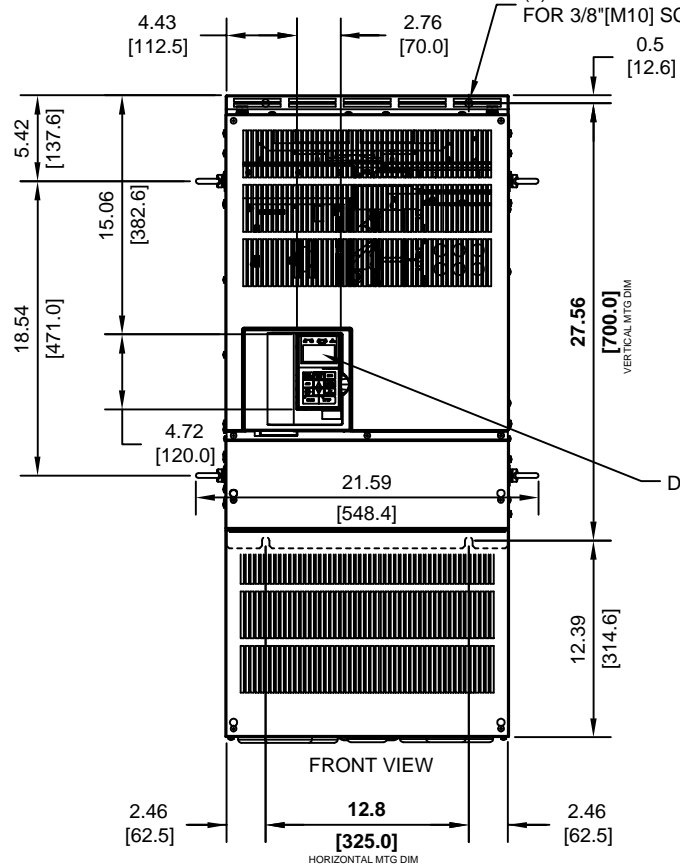
(2) EXTERNAL COOLING FANS

LIFTING AND EYEBOLT DETAILS



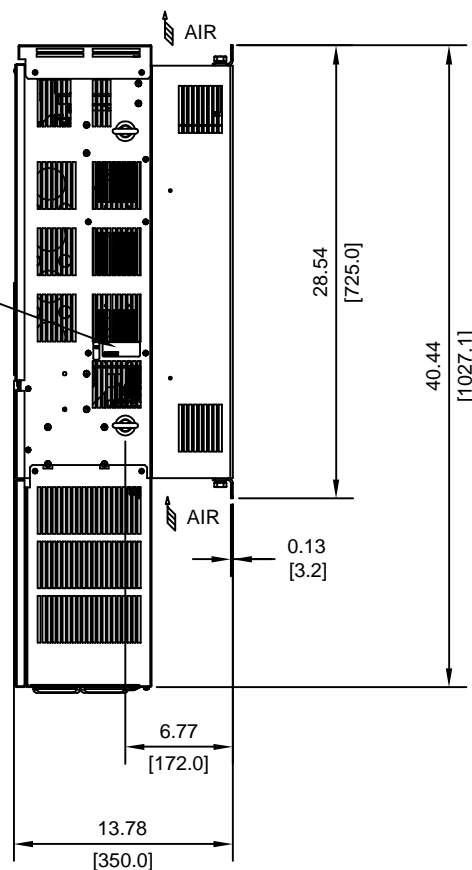
NOTE: SPREADER BAR REQUIRED TO AVOID DAMAGE DURING LIFTING

(4)-MOUNTING HOLES FOR 3/8"[M10] SCREWS



NAMEPLATE

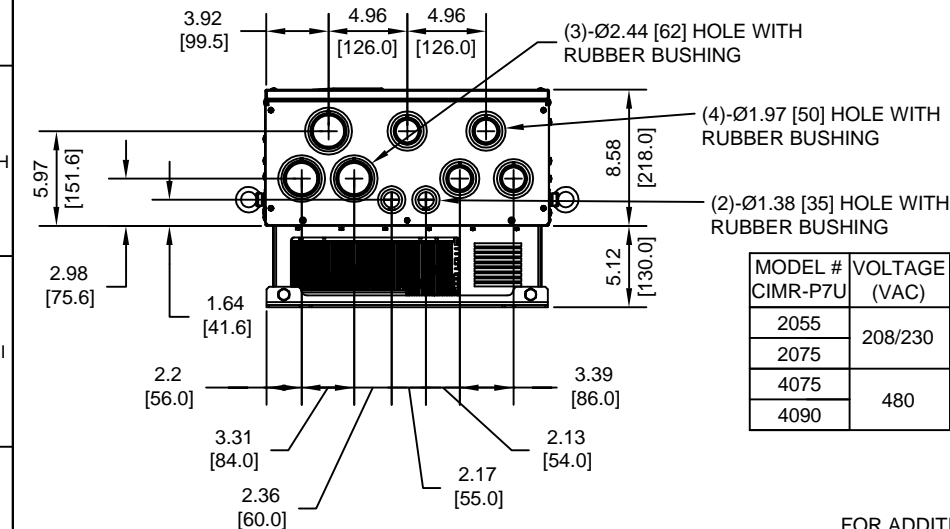
DIGITAL OPERATOR



FRONT VIEW

HORIZONTAL MTG DIM

VERTICAL MTG DIM



(3)-Ø2.44 [62] HOLE WITH RUBBER BUSHING

(4)-Ø1.97 [50] HOLE WITH RUBBER BUSHING

(2)-Ø1.38 [35] HOLE WITH RUBBER BUSHING

MODEL # CIMR-P7U	VOLTAGE (VAC)	OUTPUT CURRENT (A)	WEIGHT LBS (Kg)	HEAT LOSS (W)		
				INT	EXT	TOTAL
2055	208/230	215	207 (94)	619	1588	2207
2075		312	209 (95)	844	1956	2800
4075	480	156	211 (96)	562	1285	1847
4090		180	213 (97)	673	1614	2287

INT=INTERNAL COMPONENTS
EXT=EXTERNAL HEATSINK

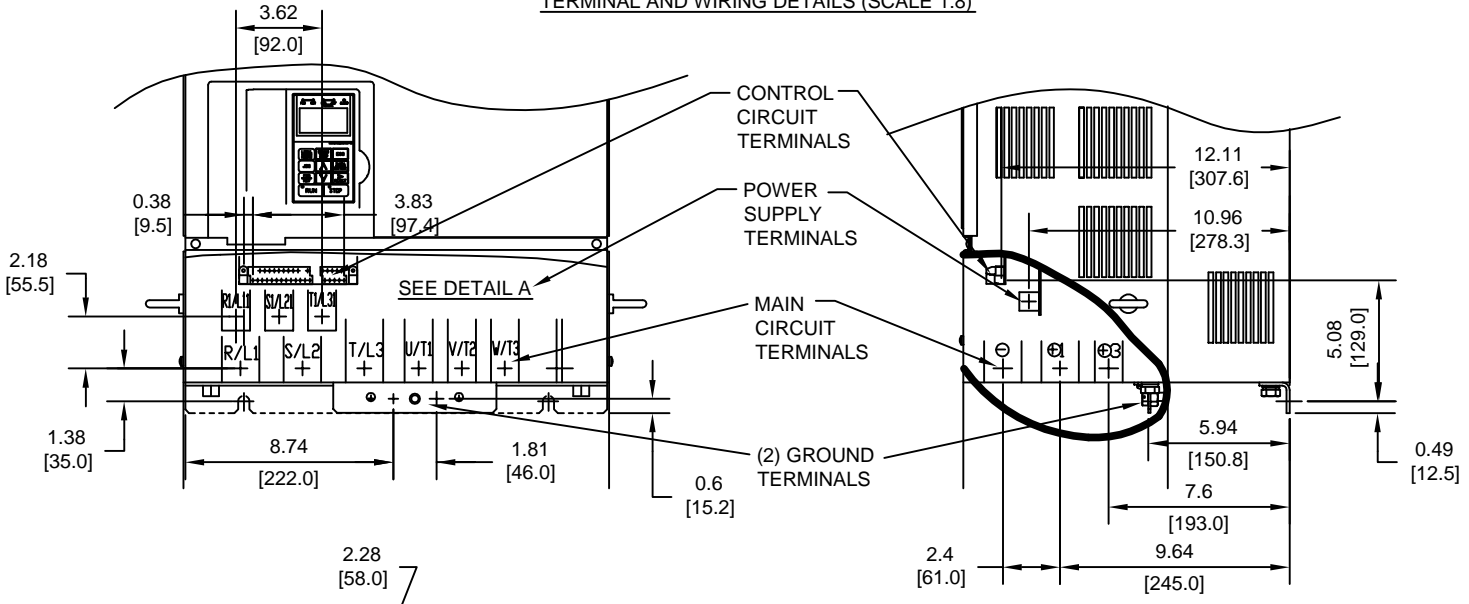
FOR ADDITIONAL DETAILS AND SPECIFICATIONS, CONSULT MANUAL

TOLERANCES/REFERENCES:
UNITS: IN[mm]
SCALE: 1:12

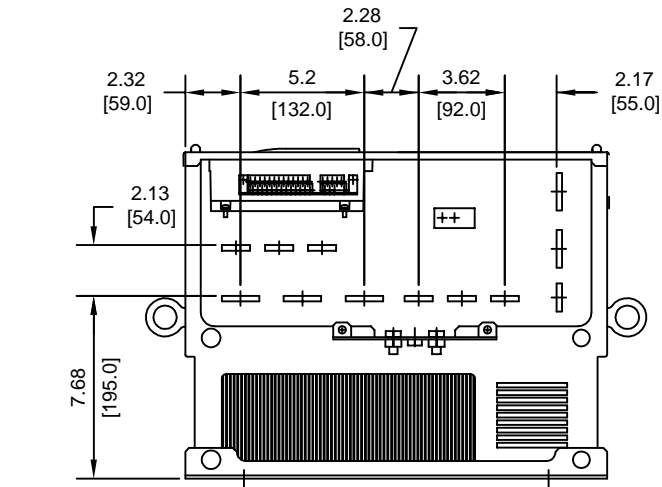
YASKAWA
A World of Automation Solutions™
YASKAWA ELECTRIC AMERICA, INC.
Corporate Headquarters
2121 Norman Drive South
Waukegan, IL 60085
1-800-YASKAWA
http://www.yaskawa.com

DRAWN: J. MATTAS	DATE 3-30-05	TITLE: P7 DIMENSION DRAWING	
CHECKED: M. RUCINSKI	DATE 5-3-05	FRAME SIZE 10	
TECH: J. CAIRO	DATE 4-3-05	NEMA TYPE 1/IP20 ENCLOSURE	
APPROVED: T. SASADA	DATE 6-8-05	SIZE A	REVISION R00
ORIGINAL DESIGN: -	DATE -	PAGE 1 of 3	
DRAWING #: DD.P7.FR10.N1.01			

TERMINAL AND WIRING DETAILS (SCALE 1:8)

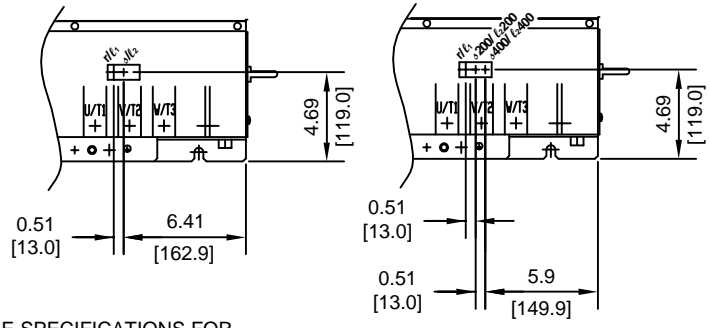


DETAIL A (SCALE 1:10)



MODELS P7U2055 AND P7U2075

MODELS P7U4075 AND P7U4090



TERMINAL AND WIRE SPECIFICATIONS FOR MAIN CIRCUIT AND GROUND

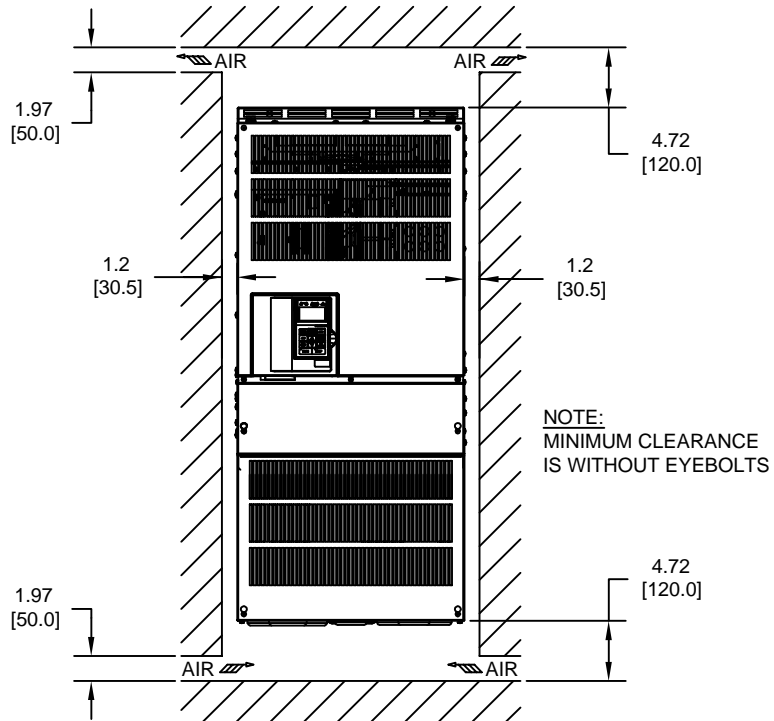
MODEL # CIMR-P7U	TERMINAL SYMBOL	TERMINAL SCREW	CLAMPING TORQUE lb.in.(N.m.)
2055	R/L1, S/L2, T/L3, ⊕, ⊕1, ⊕2, U/T1, V/T2, W/T3, R1/L11, S1/L21, T1/L31	M10	155 TO 198 (17.6 TO 22.5)
	⊕3	M8	78.0 TO 95.0 (8.8 TO 10.8)
	r/l1, s/l2	M4	11.4 TO 12.3 (1.3 TO 1.4)
2075	R/L1, S/L2, T/L3, U/T1, V/T2, W/T3, R1/L11, S1/L21, T1/L31	M10	155 TO 198 (17.6 TO 22.5)
	⊕3	M8	78.0 TO 95.0 (8.8 TO 10.8)
	⊕, ⊕1, ⊕2 r/l1, s/l2	M12 M4	277 TO 345 (31.4 TO 39.2) 11.4 TO 12.3 (1.3 TO 1.4)
4075	R/L1, S/L2, T/L3, ⊕, ⊕1, ⊕2, U/T1, V/T2, W/T3, R1/L11, S1/L21, T1/L31	M10	155 TO 198 (17.6 TO 22.5)
	⊕3	M8	78.0 TO 95.0 (8.8 TO 10.8)
	r/l1, s200/l2200, s400/l2400	M4	11.4 TO 12.3 (1.3 TO 1.4)
4090	R/L1, S/L2, T/L3, ⊕, ⊕1, ⊕2, U/T1, V/T2, W/T3, R1/L11, S1/L21, T1/L31	M10	155 TO 198 (17.6 TO 22.5)
	⊕3	M8	78.0 TO 95.0 (8.8 TO 10.8)
	r/l1, s200/l2200, s400/l2400	M4	11.4 TO 12.3 (1.3 TO 1.4)

NOTE: REFER TO APPLICABLE CODES FOR PROPER WIRE TYPE AND SIZE

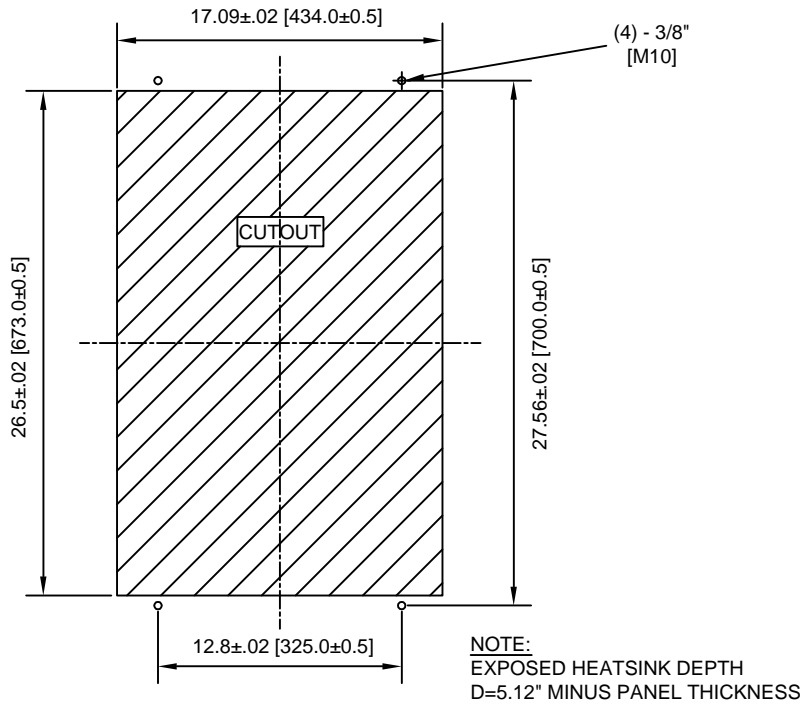
FOR ADDITIONAL DETAILS AND SPECIFICATIONS, CONSULT MANUAL

TOLERANCES/REFERENCES: - - - - -	<p>YASKAWA A World of Automation Solutions™</p> <p>YASKAWA ELECTRIC AMERICA, INC. Corporate Headquarters 2121 Norman Drive South Waukegan, IL 60085 1-800-YASKAWA http://www.yaskawa.com</p>	DRAWN: J. MATTAS	DATE 3-30-05	TITLE: P7 DIMENSION DRAWING		
		CHECKED: M. RUCINSKI	DATE 5-3-05	FRAME SIZE 10		
		TECH: J. CAIRO	DATE 4-3-05	NEMA TYPE 1/IP20 ENCLOSURE		
		APPROVED: T. SASADA	DATE 6-8-05	P7U2055 TO 2075, 4075 TO 4090		
UNITS: IN[mm]	SCALE: BY VIEW	ORIGINAL DESIGN: -	DATE -	SIZE A	REVISION R00	PAGE 2 of 3
			DRAWING #: DD.P7.FR10.N1.01			


MINIMUM INSTALLATION CLEARANCES (SCALE 1:15)



PANEL CUTOUT FOR EXTERNAL HEATSINK MOUNTING CONFIGURATION (SCALE 1:10)



FOR ADDITIONAL DETAILS AND SPECIFICATIONS, CONSULT MANUAL

TOLERANCES/REFERENCES: - - - - - -		 YASKAWA <i>A World of Automation Solutions™</i> YASKAWA ELECTRIC AMERICA, INC. Corporate Headquarters 2121 Norman Drive South Waukegan, IL 60085 1-800-YASKAWA http://www.yaskawa.com	DRAWN: J. MATTAS DATE: 3-30-05	TITLE: P7 DIMENSION DRAWING
UNITS: IN[mm]	SCALE: BY VIEW		CHECKED: M. RUCINSKI DATE: 5-3-05	DATE: 5-3-05
		TECH: J. CAIRO DATE: 4-3-05	DATE: 4-3-05	SIZE: A REVISION: R00 PAGE: 3 of 3
		APPROVED: T. SASADA DATE: 6-6-05	DATE: 6-6-05	DRAWING #: DD.P7.FR10.N1.01
		ORIGINAL DESIGN: -	DATE: -	