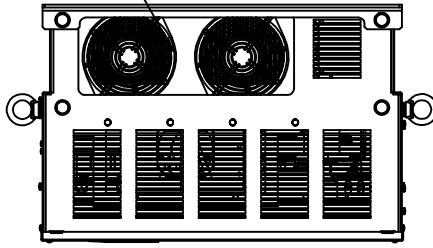
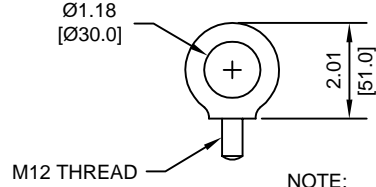


(2) EXTERNAL
COOLING FANS

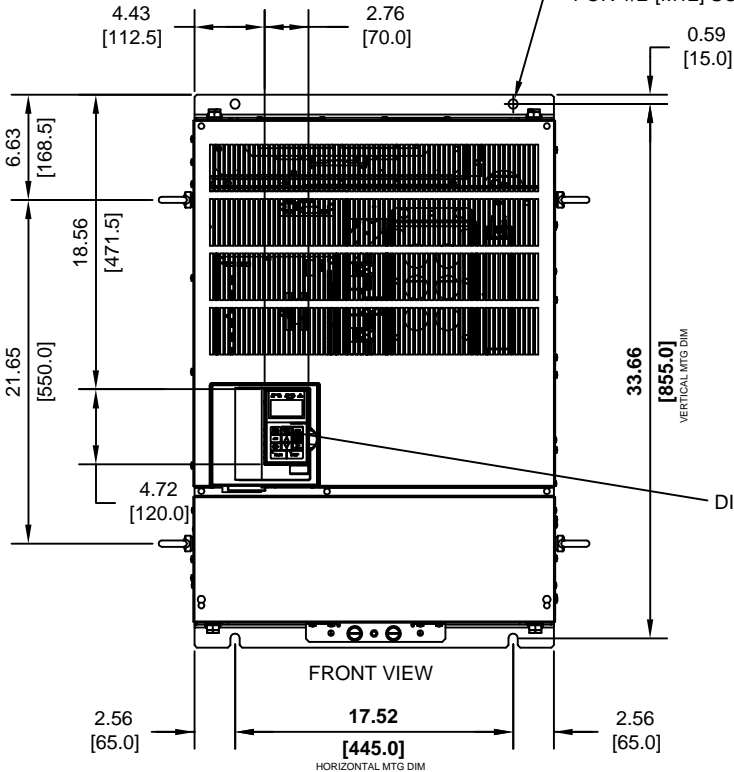


LIFTING AND EYEBOLT DETAILS



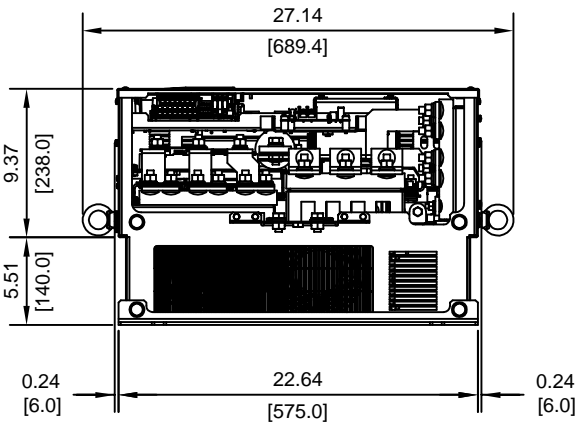
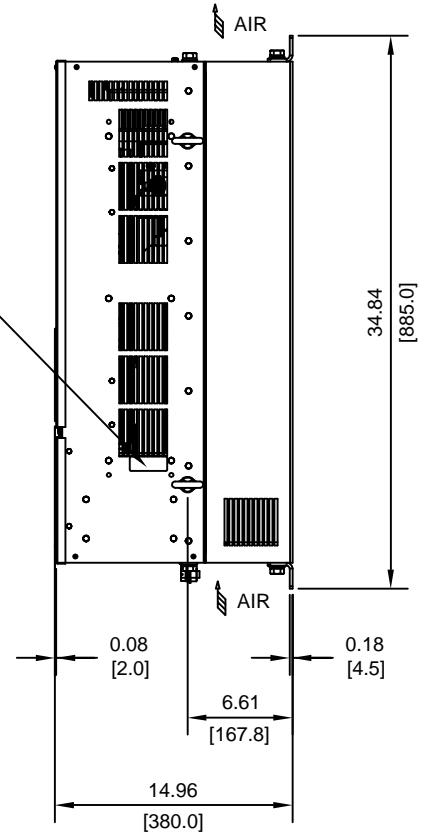
NOTE:
SPREADER BAR REQUIRED TO
AVOID DAMAGE DURING LIFTING

(4)-MOUNTING HOLES
FOR 1/2"[M12] SCREWS



DIGITAL OPERATOR

NAMEPLATE



MODEL #	VOLTAGE (VAC)	OUTPUT CURRENT (A)	WEIGHT LBS (Kg)	HEAT LOSS (W)		
				INT	EXT	TOTAL
2110	208/230	415	330 (150)	1234	2733	3967

INT=INTERNAL COMPONENTS
EXT=EXTERNAL HEATSINK

FOR ADDITIONAL DETAILS AND SPECIFICATIONS, CONSULT MANUAL

TOLERANCES/REFERENCES:

UNITS: IN[mm]

SCALE: 1:12

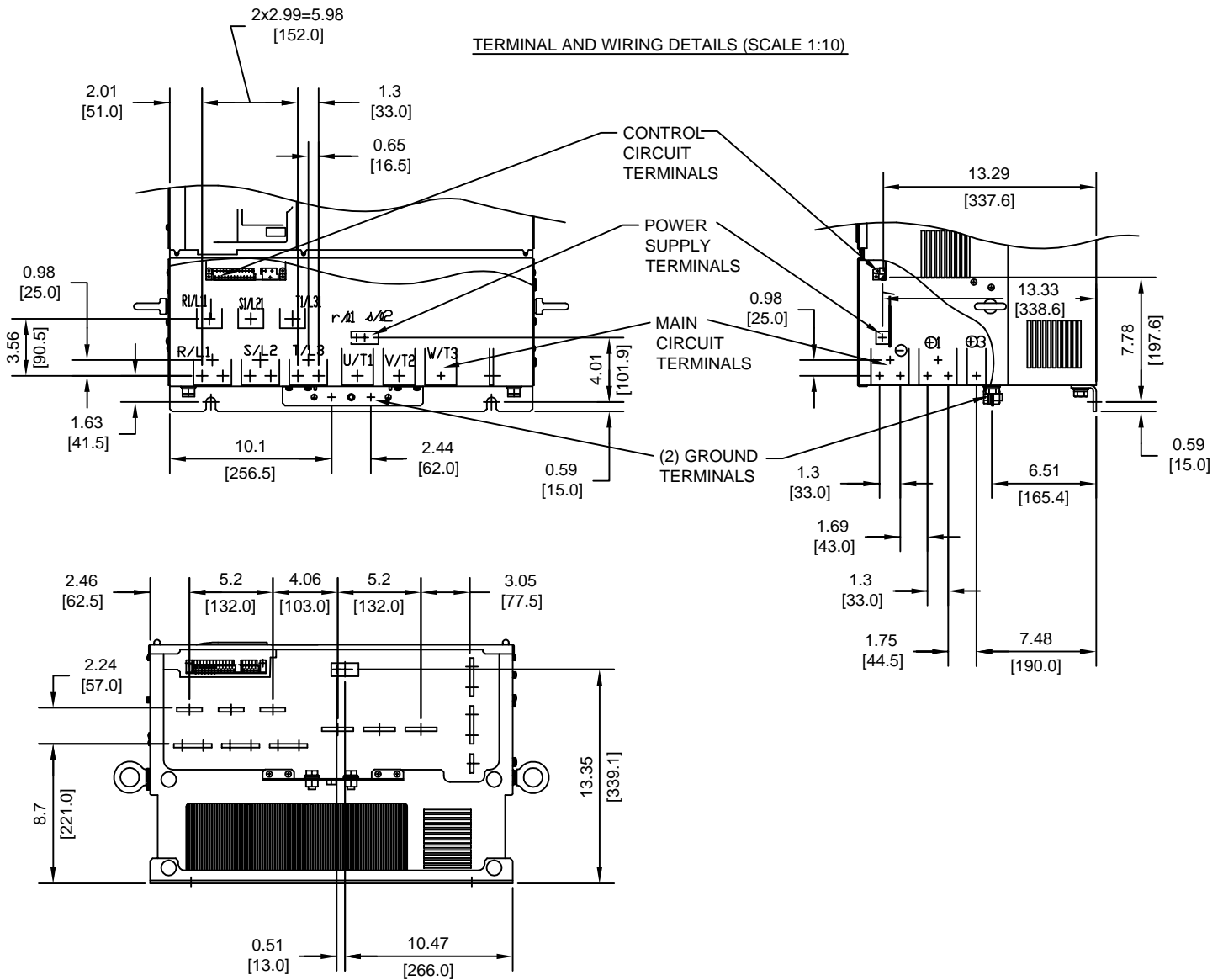
YASKAWA
A World of Automation Solutions™

YASKAWA ELECTRIC AMERICA, INC.
Corporate Headquarters
2121 Norman Drive South
Waukegan, IL 60085
1-800-YASKAWA
<http://www.yaskawa.com>

DRAWN:	J. MATTAS	DATE:	5-2-05
CHECKED:	M. RUCINSKI	DATE:	6-6-05
TECH:	J. CAIRO	DATE:	5-4-05
APPROVED:	T. SASADA	DATE:	6-6-05
ORIGINAL DESIGN:	-	DATE:	-

TITLE: P7 DIMENSION DRAWING		
FRAME SIZE 12		
IP00 ENCLOSURE		
P7U2110		
SIZE A	REVISION R00	PAGE 1 of 3
DRAWING #: DD.P7.FR12.IP00.01		

TERMINAL AND WIRING DETAILS (SCALE 1:10)




TERMINAL AND WIRE SPECIFICATIONS FOR MAIN CIRCUIT AND GROUND

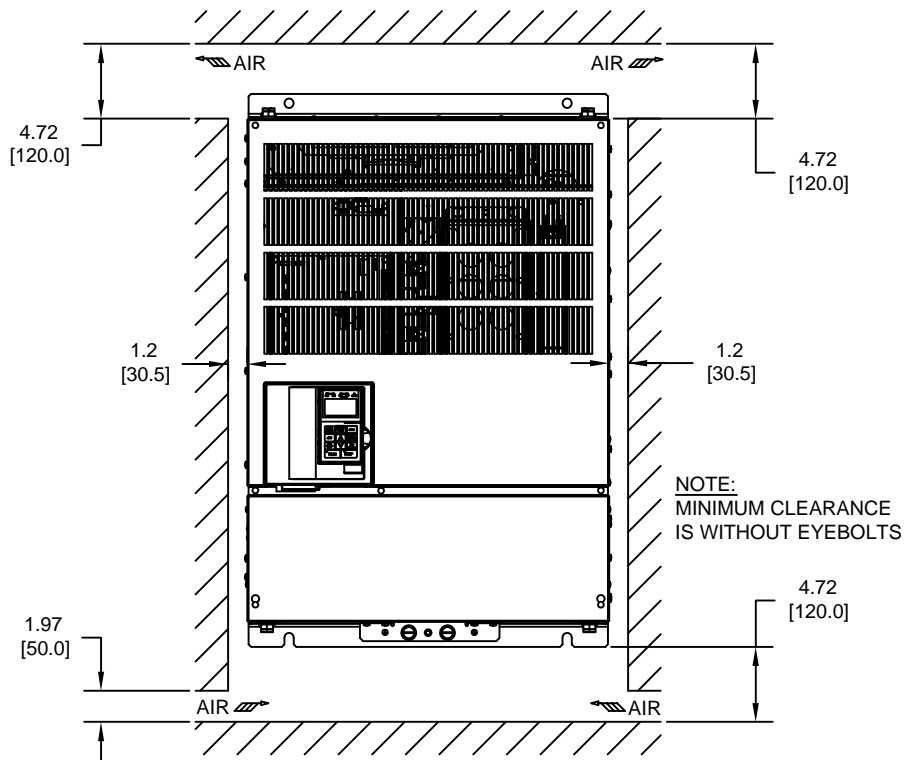
MODEL #	TERMINAL SYMBOL	TERMINAL SCREW	CLAMPING TORQUE lb.in.(N.m.)
2110	R/L1, S/L2, T/L3, ⊕, ⊕1, ⊕, U/T1, V/T2, W/T3, R1/L11, S1/L21, T1/L31	M12	276 TO 345 (31.4 TO 39.2)
	⊕3	M8	78.0 TO 95.0 (8.8 TO 10.8)
	r/l1, s/l2	M4	11.4 TO 12.3 (1.3 TO 1.4)

NOTE: REFER TO APPLICABLE CODES FOR PROPER WIRE TYPE AND SIZE

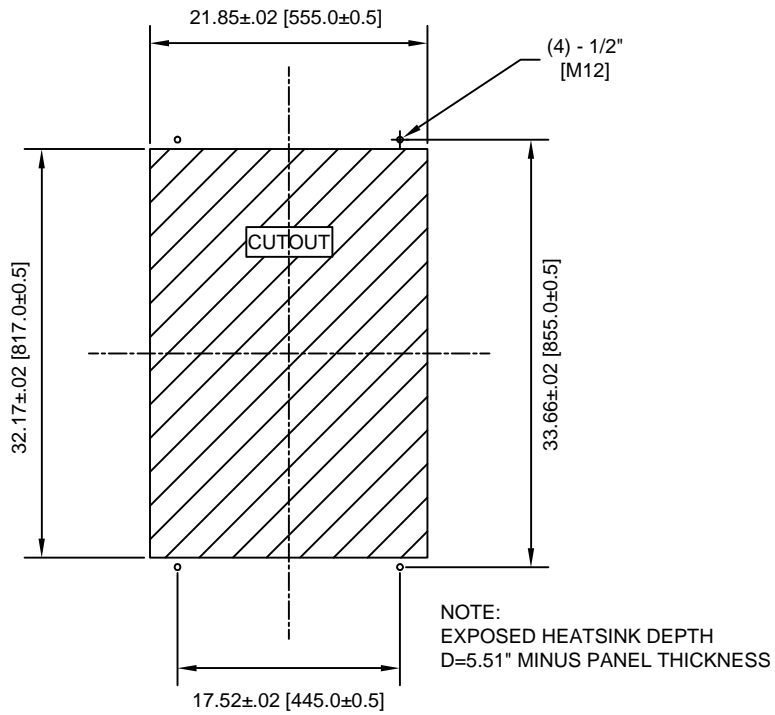
FOR ADDITIONAL DETAILS AND SPECIFICATIONS, CONSULT MANUAL

TOLERANCES/REFERENCES: - - - - -	 YASKAWA <i>A World of Automation Solutions™</i> YASKAWA ELECTRIC AMERICA, INC. Corporate Headquarters 2121 Norman Drive South Waukegan, IL 60085 1-800-YASKAWA http://www.yaskawa.com	DRAWN: J. MATTAS	DATE: 5-2-05	TITLE: P7 DIMENSION DRAWING		
		CHECKED: M. RUCINSKI	DATE: 6-6-05	FRAME SIZE 12		
		TECH: J. CAIRO	DATE: 5-4-05	IP00 ENCLOSURE		
		APPROVED: T. SASADA	DATE: 6-6-05	P7U2110		
UNITS: IN[mm]	SCALE: BY VIEW	ORIGINAL DESIGN: -	DATE: -	SIZE: A	REVISION: R00	PAGE: 2 of 3
DRAWING #: DD.P7.FR12.IP00.01						

MINIMUM INSTALLATION CLEARANCES (SCALE 1:12)




PANEL CUTOUT FOR EXTERNAL HEATSINK MOUNTING CONFIGURATION (SCALE 1:15)



NOTE:
EXPOSED HEATSINK DEPTH
D=5.51" MINUS PANEL THICKNESS

FOR ADDITIONAL DETAILS AND SPECIFICATIONS, CONSULT MANUAL

TOLERANCES/REFERENCES: -		 YASKAWA <i>A World of Automation Solutions™</i> YASKAWA ELECTRIC AMERICA, INC. Corporate Headquarters 2121 Norman Drive South Waukegan, IL 60085 1-800-YASKAWA http://www.yaskawa.com	DRAWN: J. MATTAS DATE: 5-2-05	TITLE: P7 DIMENSION DRAWING
UNITS: IN[mm]	SCALE: BY VIEW		CHECKED: M. RUCINSKI DATE: 6-6-05	DATE: 6-6-05
		TECH: J. CAIRO DATE: 5-4-05	DATE: 6-6-05	SIZE: A
		APPROVED: T. SASADA ORIGINAL DESIGN: -	DATE: -	REVISION: R00
		DRAWING #: DD.P7.FR12.IP00.01		
		PAGE: 3 of 3		