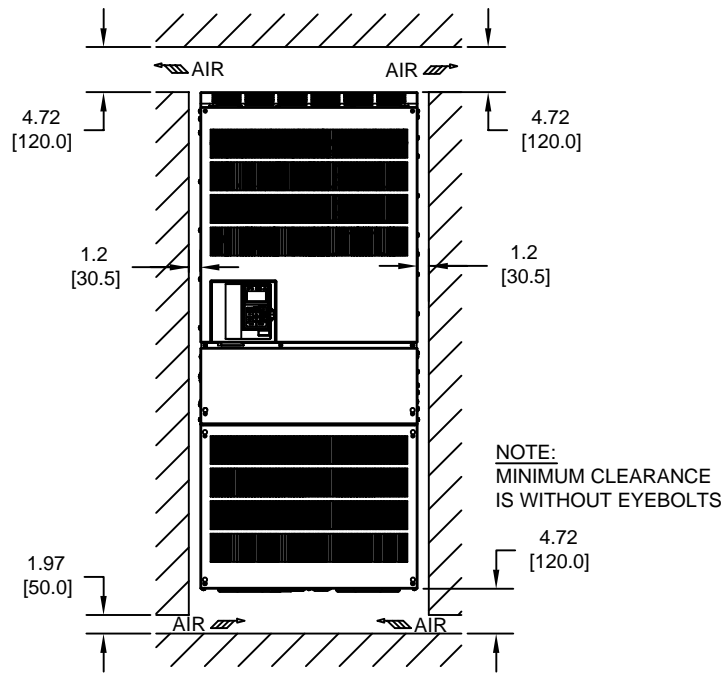
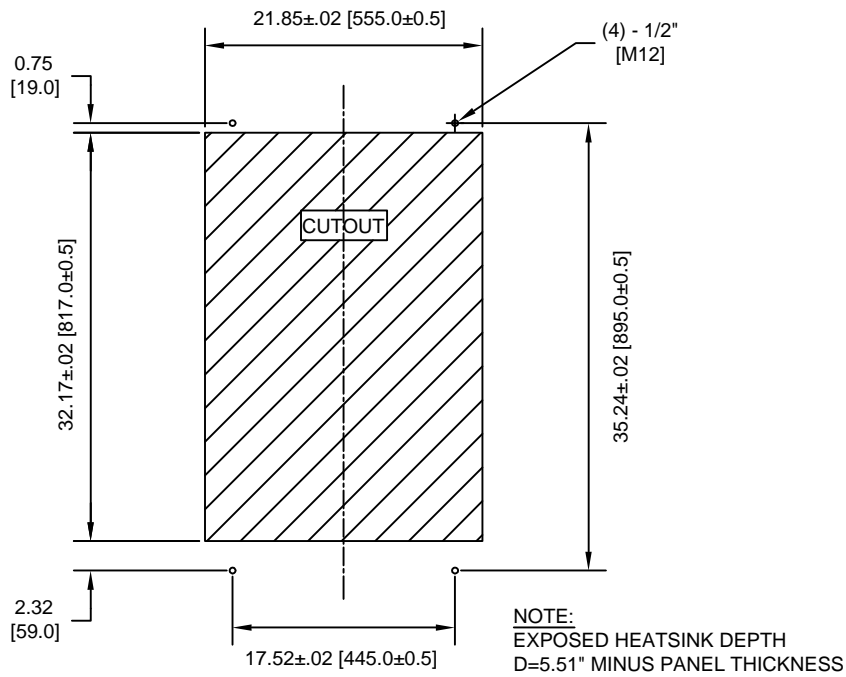



MINIMUM INSTALLATION CLEARANCES (SCALE 1:20)



PANEL CUTOUT FOR EXTERNAL HEATSINK MOUNTING CONFIGURATION (SCALE 1:15)



FOR ADDITIONAL DETAILS AND SPECIFICATIONS, CONSULT MANUAL

TOLERANCES/REFERENCES: - - - - - - - - - - -		 YASKAWA <i>A World of Automation Solutions™</i> YASKAWA ELECTRIC AMERICA, INC. Corporate Headquarters 2121 Norman Drive South Waukegan, IL 60085 1-800-YASKAWA http://www.yaskawa.com	DRAWN: J. MATTAS DATE: 3-30-05	TITLE: P7 DIMENSION DRAWING
UNITS: IN[mm]	SCALE: BY VIEW		CHECKED: M. RUCINSKI DATE: 5-3-05	DATE: 5-3-05
		TECH: J. CAIRO DATE: 4-3-05	DATE: 4-3-05	SIZE: A REVISION: R01 PAGE: 3 of 3
		APPROVED: T. SASADA DATE: 6-6-05	DATE: 6-6-05	DRAWING #: DD.P7.FR13.N1.01
		ORIGINAL DESIGN: -	DATE: -	