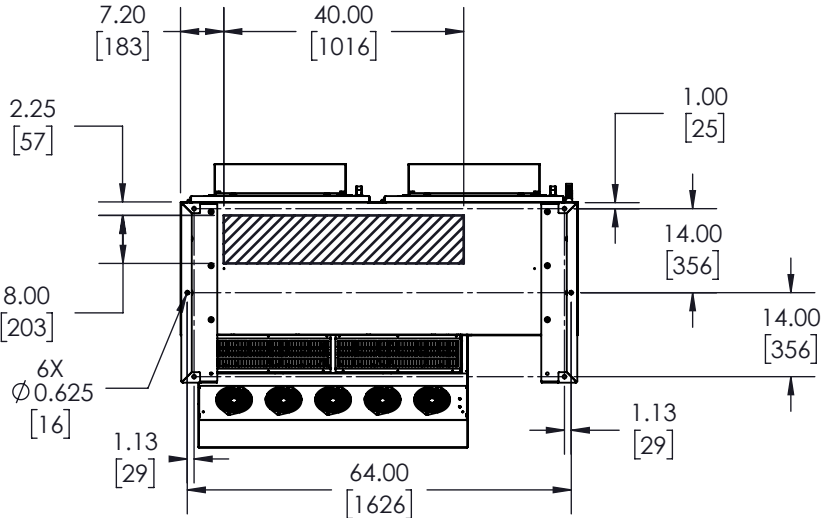


NOTICE:

- WHEN MOUNTING ENCLOSURE, PROVIDE REAR ACCESS FOR SERVICING REAR EXHAUST HOOD FANS.

- NOTES:
- FOR REFERENCE ONLY UNLESS PROPERLY ENDORSED. FOR ADDITIONAL DETAILS AND SPECIFICATIONS, CONSULT FACTORY.
 - DIMENSIONS ARE IN INCHES[MILLIMETERS]
 - USE APPROPRIATE TYPE RATED HUBS OR FITTINGS TO MAINTAIN ENCLOSURE RATING.
 - HATCHED AREA INDICATES PERMISSIBLE CONDUIT ENTRANCE AREA.
 - FANS, FILTERS, OR CLOSING PLATES ARE SUPPLIED WHEN OPTION MIX NECESSITATES.



paul_johnson Friday, January 26, 2018 8:13:14 AM



DRAWN: P. Johnson	DATE 01/22/2018
CHECKED: J. Edwards	DATE 01/24/2018
TECH:	DATE
APPROVED: K. Flierl	DATE 01/25/2018
ORIGINAL DESIGN: P. Johnson	DATE 01/22/2018

TITLE: DIMENSION DRAWING, U1000 IQPUMP, 3R, F2 HI HP		
MATERIAL#		
SIZE A	REVISION 00	PAGE 1 OF 1
DRAWING #: DD.Q1E.3R.F2.02		

REVISIONS				
REV.	DESCRIPTION	ECR#	DRAWN BY	DATE
00	INITIAL RELEASE	----	PSJ	1/19/2018

THIS DOCUMENT AND INFORMATION CONTAINED IN IT ARE CONFIDENTIAL, AND CANNOT BE COPIED OR DISCLOSED IN WHOLE OR IN PART WITHOUT THE EXPRESS WRITTEN CONSENT OF YASKAWA AMERICA INC.