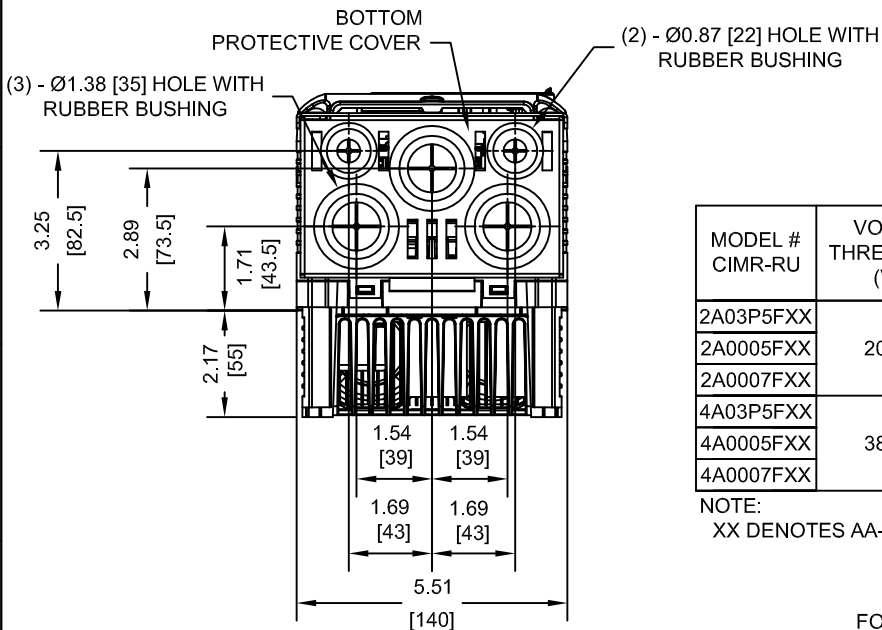
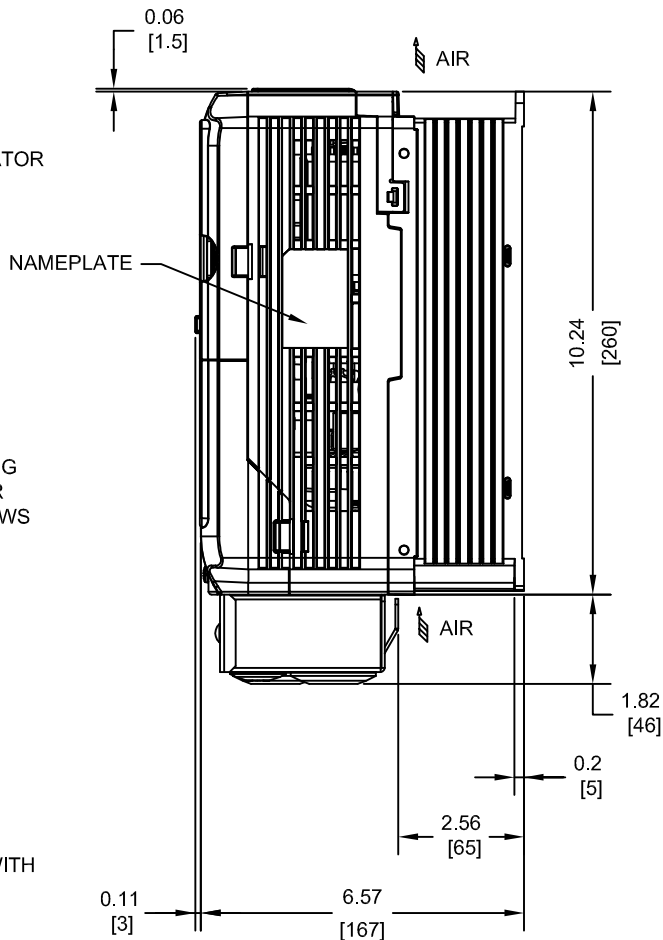
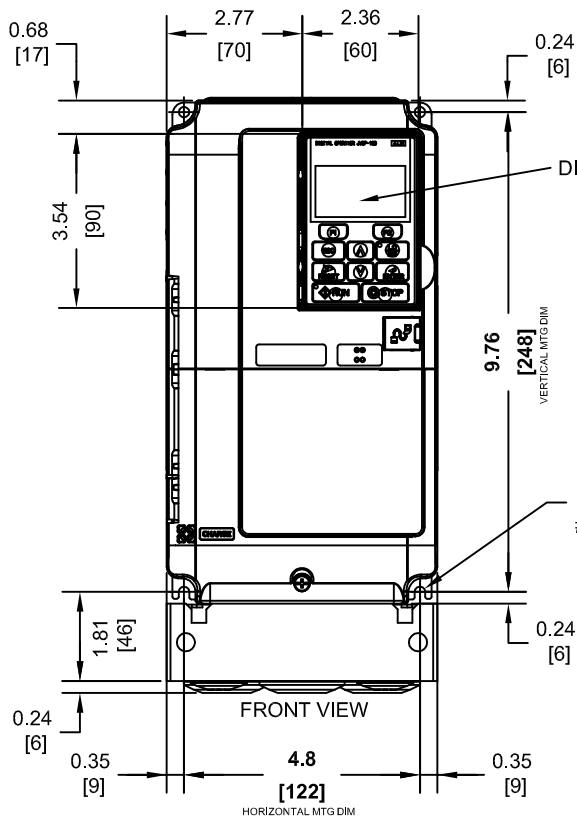


(2) EXTERNAL COOLING FANS

TOP PROTECTIVE COVER

NOTE:
 PROTECTIVE COVERS ARE FACTORY INSTALLED TO THE TOP AND BOTTOM OF THE DRIVE TO MEET IP20 & NEMA TYPE 1 REQUIREMENTS, RESULTING IN AN AMBIENT TEMPERATURE RATING OF 104F(40C). REMOVE THESE COVERS WHEN OPERATING THE DRIVE WITHIN A PANEL TO OBTAIN THE MAXIMUM SURROUNDING AIR TEMPERATURE RATING OF 122F(50C). REMOVING THESE COVERS RESULTS IN AN ENCLOSURE RATING OF IP00.



MODEL # CIMR-RU	VOLTAGE THREE-PHASE (VAC)	OUTPUT CAPACITY (kW)	WEIGHT LBS (Kg)	HEAT LOSS (W)		
				INT	EXT	TOT
2A03P5FXX	200/240	3.5	8.8 (4.0)	22	31	53
2A0005FXX		5	8.8 (4.0)	27	51	78
2A0007FXX		7	8.8 (4.0)	33	76	109
4A03P5FXX	380/480	3.5	8.8 (4.0)	21	16	37
4A0005FXX		5	8.8 (4.0)	24	27	51
4A0007FXX		7	8.8 (4.0)	28	41	69

NOTE:
 XX DENOTES AA-ZZ

INT=INTERNAL COMPONENTS
 EXT=EXTERNAL HEATSINK
 TOT=TOTAL

FOR ADDITIONAL DETAILS AND SPECIFICATIONS, CONSULT MANUAL

TOLERANCES / REFERENCES:



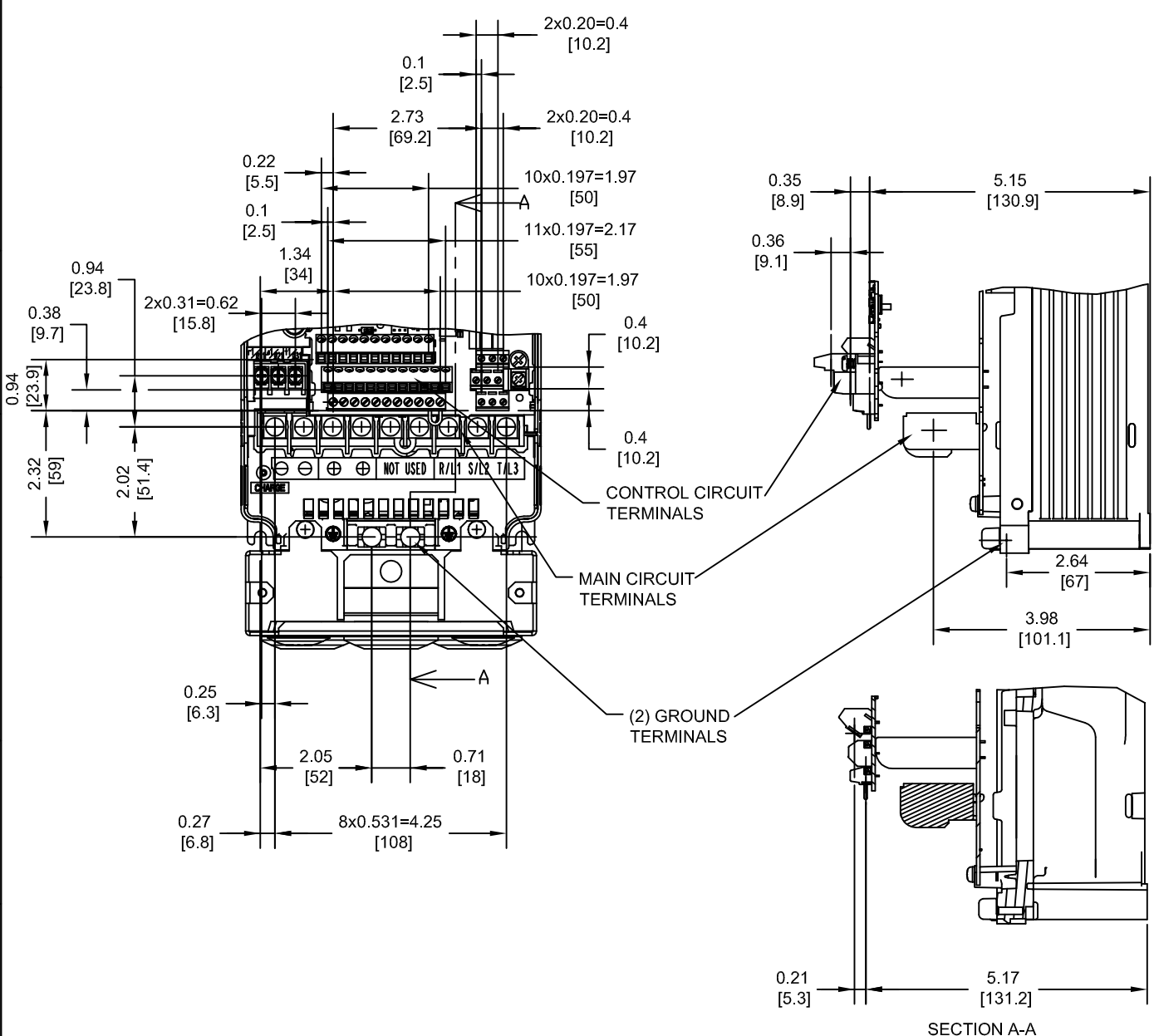
THIS DOCUMENT AND INFORMATION CONTAINED IN IT ARE CONFIDENTIAL, AND CANNOT BE COPIED OR DISCLOSED IN WHOLE OR IN PART WITHOUT THE EXPRESS WRITTEN CONSENT OF YASKAWA AMERICA, INC.

DRAWN: J. MATTAS	DATE 9-2-14
CHECKED: J. PIOTROWSKI	DATE 10-7-14
TECH: J. BORJA	DATE 9-22-14
APPROVED: J. CAIRO	DATE 11-18-14
ORIGINAL DESIGN:	DATE

TITLE: R1000 DIMENSION DRAWING FRAME SIZE 1 NEMA TYPE 1 ENCLOSURE 2A03P5F - 2A0007F, 4A03P5F - 4A0007F		
SIZE A	REVISION R00	PAGE 1 of 3
DRAWING #: DD.R1K.FR1.N1		

UNITS: IN[mm] SCALE: 1:4

TERMINAL AND WIRING DETAILS (SCALE 1:3)



TERMINAL AND WIRE SPECIFICATIONS FOR MAIN CIRCUIT AND GROUND

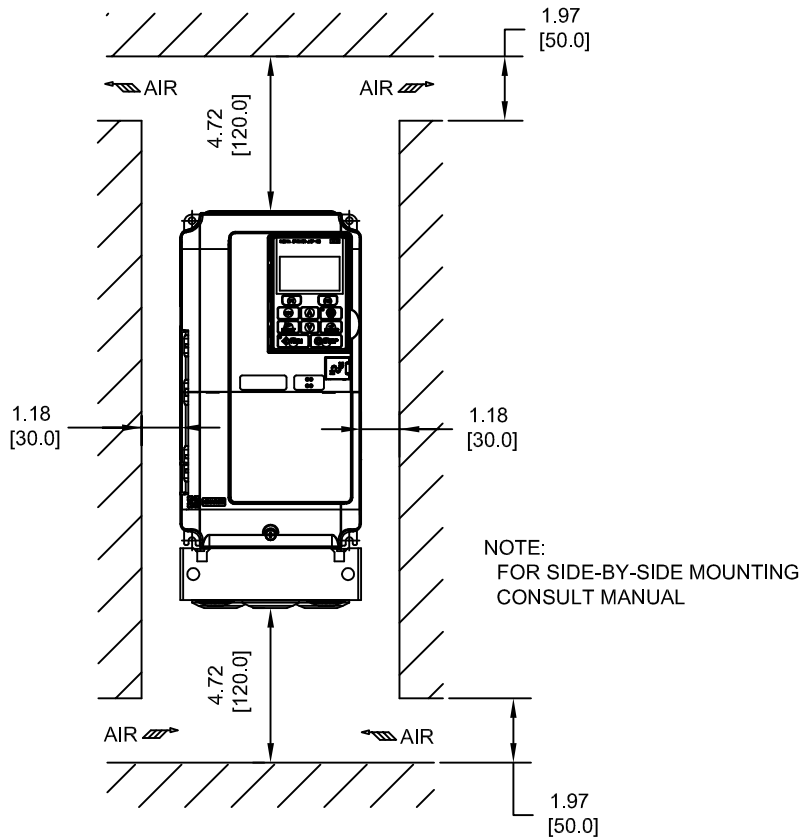
MODEL # CIMR-RU	TERMINAL SYMBOL	TERMINAL SCREW	CLAMPING TORQUE lb.in.(N.m.)	WIRE RANGE AWG(mm ²)
2A03P5F 2A0005F 2A0007F	R/L1, S/L2, T/L3, ⊖, ⊕	M4	20.4 (2.3)	10-6 (6-16)
4A03P5F 4A0005F 4A0007F	r/l1, s/l2, t/l3 ⊕	M3.5	7.1 TO 8.9 (0.8 TO 1.0)	14 (2.5)
		M5	17.7 TO 22.1 (2 TO 2.5)	12-10 (4-6)

NOTE: REFER TO APPLICABLE CODES FOR PROPER WIRE TYPE AND SIZE

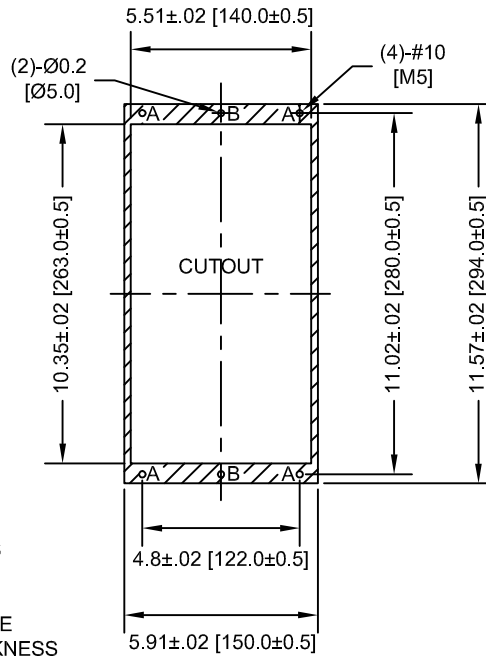
FOR ADDITIONAL DETAILS AND SPECIFICATIONS, CONSULT MANUAL

TOLERANCES / REFERENCES:			DRAWN: J. MATTAS DATE: 9-2-14	TITLE: R1000 DIMENSION DRAWING FRAME SIZE 1 NEMA TYPE 1 ENCLOSURE 2A03P5F - 2A0007F, 4A03P5F - 4A0007F
UNITS: IN[mm] SCALE: BY VIEW			CHECKED: J. PIOTROWSKI DATE: 10-7-14	DATE: 9-22-14
THIS DOCUMENT AND INFORMATION CONTAINED IN IT ARE CONFIDENTIAL, AND CANNOT BE COPIED OR DISCLOSED IN WHOLE OR IN PART WITHOUT THE EXPRESS WRITTEN CONSENT OF YASKAWA AMERICA, INC.		TECH: J. BORJA DATE: 11-18-14	DATE: 11-18-14	SIZE: A REVISION: R00 PAGE: 2 of 3
		APPROVED: J. CAIRO	ORIGINAL DESIGN: -	DRAWING #: DD.R1K.FR1.N1

MINIMUM INSTALLATION CLEARANCES (SCALE 1:6)



PANEL CUTOUT FOR EXTERNAL HEATSINK MOUNTING CONFIGURATION (SCALE 1:6)



- NOTES:
- EXTERNAL HEATSINK CONFIGURATION REQUIRES MOUNTING KIT
 - EXPOSED HEATSINK RECOMMENDED CLEARANCE D=2.36" MINUS PANEL THICKNESS

FOR ADDITIONAL DETAILS AND SPECIFICATIONS, CONSULT MANUAL

TOLERANCES / REFERENCES:			DRAWN:	J. MATTAS	DATE:	9-2-14	TITLE:		R1000 DIMENSION DRAWING	
UNITS:	SCALE:		CHECKED:	J. PIOTROWSKI	DATE:	10-7-14	FRAME SIZE 1		NEMA TYPE 1 ENCLOSURE	
IN[mm]	BY VIEW	THIS DOCUMENT AND INFORMATION CONTAINED IN IT ARE CONFIDENTIAL, AND CANNOT BE COPIED OR DISCLOSED IN WHOLE OR IN PART WITHOUT THE EXPRESS WRITTEN CONSENT OF YASKAWA AMERICA, INC.		TECH:	J. BORJA	DATE:	9-22-14	SIZE:	REVISION:	PAGE:
		APPROVED:	J. CAIRO	DATE:	11-18-14	A	R00	3 of 3		
		ORIGINAL DESIGN:	-	DATE:	-	DRAWING #:		DD.R1K.FR1.N1		