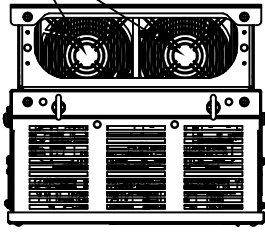
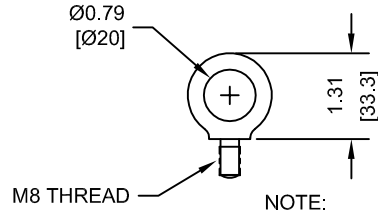


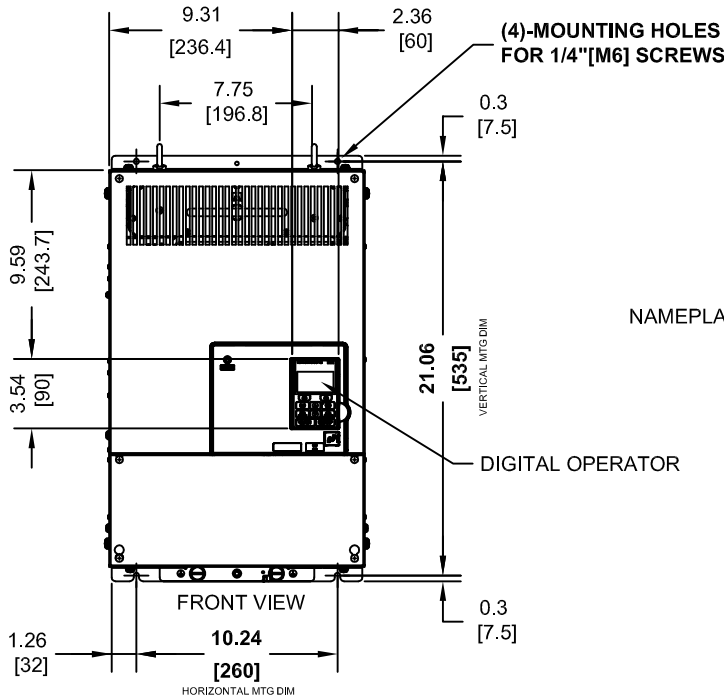
(2) EXTERNAL COOLING FANS



LIFTING AND EYEBOLT DETAILS



NOTE:  
SPREADER BAR REQUIRED TO AVOID DAMAGE DURING LIFTING



(4)-MOUNTING HOLES FOR 1/4" [M6] SCREWS

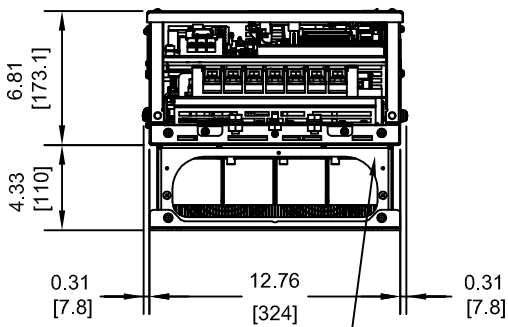
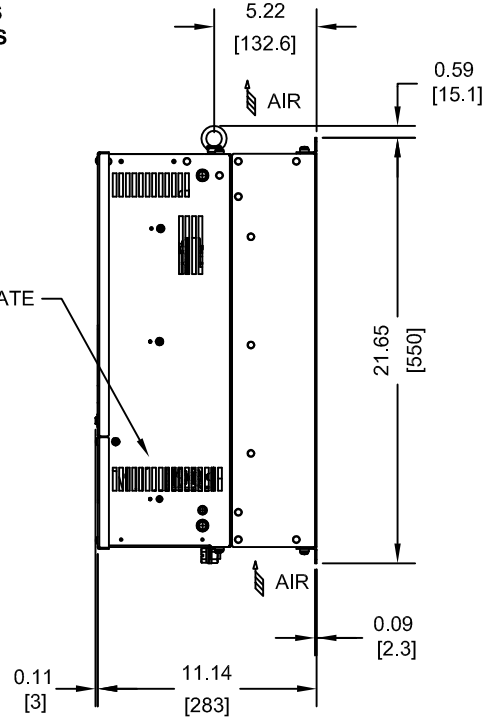
VERTICAL MTG DIM

DIGITAL OPERATOR

FRONT VIEW

HORIZONTAL MTG DIM

NAMEPLATE



MODEL # CIMR-RU	VOLTAGE THREE-PHASE (VAC)	OUTPUT CAPACITY (kW)	WEIGHT LBS (Kg)	HEAT LOSS (W)		
				INT	EXT	TOT
2A0053AXX	200/240	53	72.6 (33)	164	494	658
4A0053AXX	380/480	53	72.6 (33)	109	266	375
4A0073AXX		73	72.6 (33)	164	397	561

NOTES:  
XX DENOTES AA-ZZ

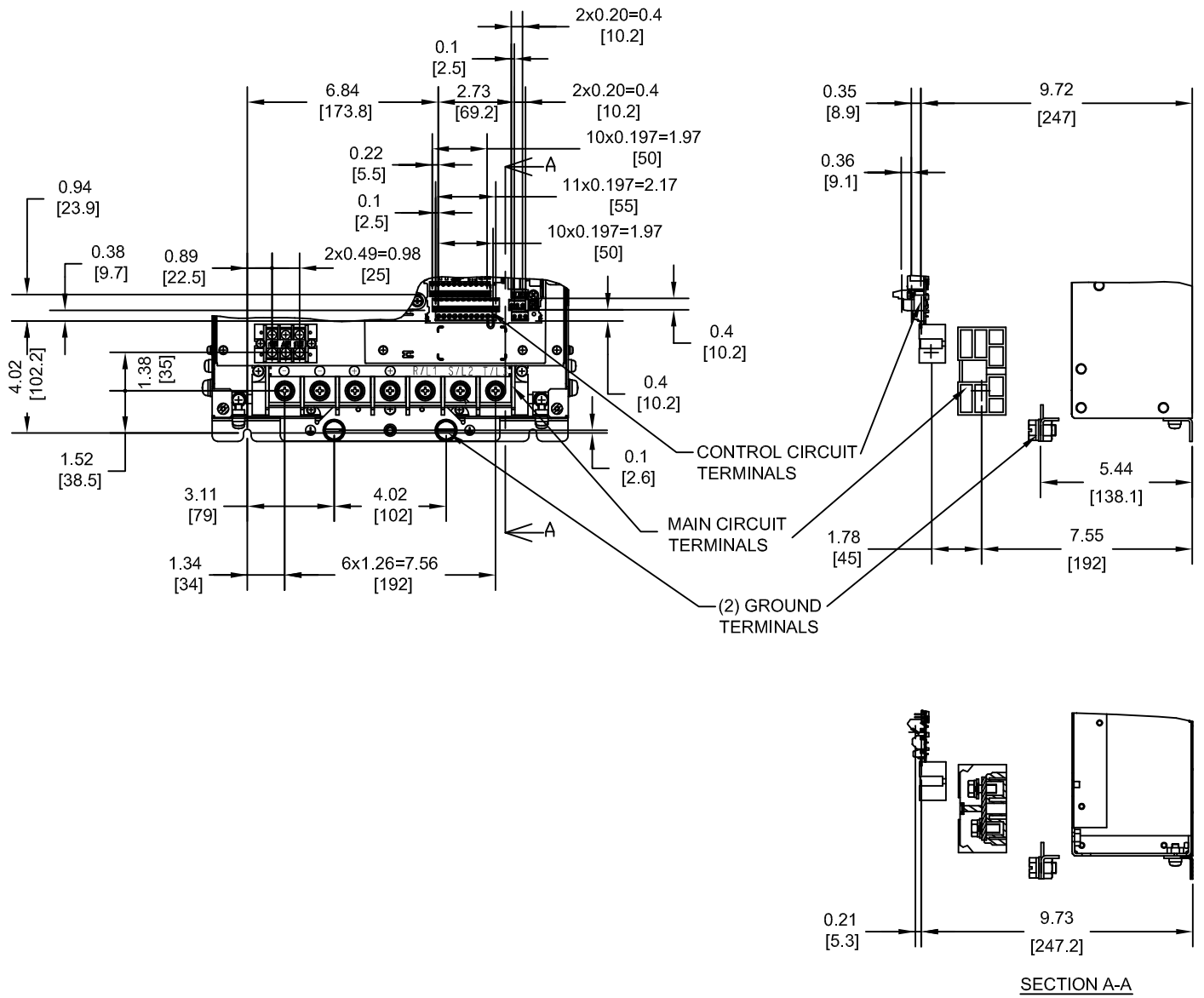
INT=INTERNAL COMPONENTS  
EXT=EXTERNAL HEATSINK  
TOT=TOTAL

OPTIONAL CAPACITOR COVER  
WHEN USING AN EXTERNAL MOUNT HEATSINK, UL COMPLIANCE REQUIRES COVERING EXPOSED CAPACITORS IN THE MAIN CIRCUIT TO PREVENT INJURY. CONSULT MANUAL FOR DETAILS.

FOR ADDITIONAL DETAILS AND SPECIFICATIONS, CONSULT MANUAL

TOLERANCES / REFERENCES:			DRAWN: J. MATTAS DATE 9-3-14	TITLE: R1000 DIMENSION DRAWING FRAME SIZE 5 IP00 ENCLOSURE 2A0053A, 4A0053A & 4A0073A
UNITS: IN[mm]	SCALE: 1:10		CHECKED: J. PIOTROWSKI DATE 10-7-14	DATE 9-22-14
THIS DOCUMENT AND INFORMATION CONTAINED IN IT ARE CONFIDENTIAL, AND CANNOT BE COPIED OR DISCLOSED IN WHOLE OR IN PART WITHOUT THE EXPRESS WRITTEN CONSENT OF YASKAWA AMERICA, INC.		TECH: J. BORJA DATE 11-18-14	DATE 11-18-14	SIZE A
		APPROVED: J. CAIRO	DATE -	REVISION R00
		ORIGINAL DESIGN: -	DATE -	PAGE 1 of 4
		DRAWING #: <b>DD.R1K.FR5.IP00</b>		

TERMINAL AND WIRING DETAILS (SCALE 1:6)  
MODEL RU2A0053A ONLY



TERMINAL AND WIRE SPECIFICATIONS FOR  
MAIN CIRCUIT AND GROUND

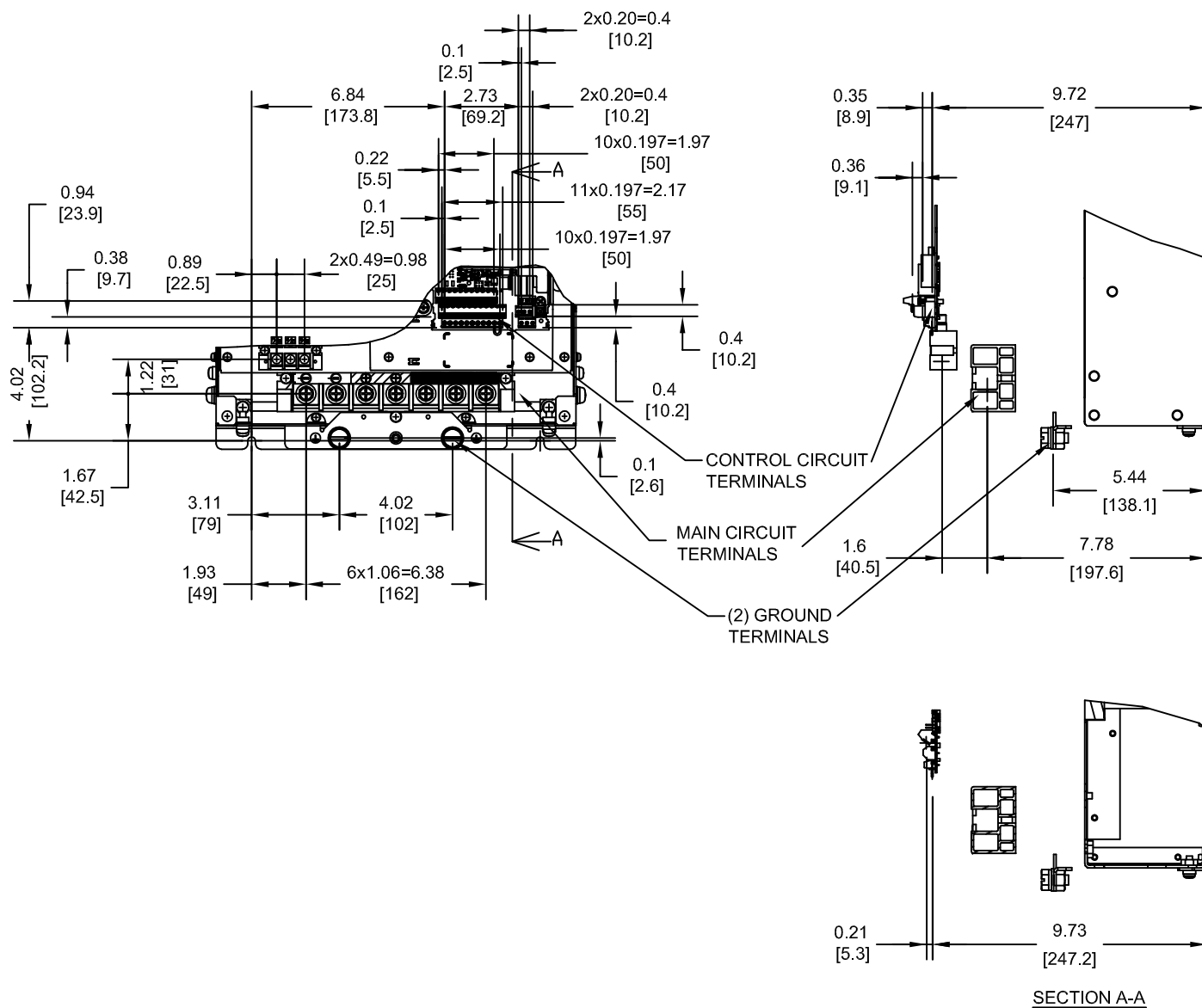
MODEL # CIMR-RU	TERMINAL SYMBOL	TERMINAL SCREW	CLAMPING TORQUE lb.in.(N.m.)	WIRE RANGE AWG(mm <sup>2</sup> )
2A0053A	R/L1, S/L2, T/L3, ⊖, ⊕	M8	119.5 TO 132.8 (13.5 TO 15)	2/0-250 (70-120)
	r1/Ø11, s1/Ø21, t1/Ø31	M4	9.7 TO 10.6 (1.1 TO 1.2)	14-10 (2.5-6)
	⊕	M10	159 TO 204 (18 TO 23)	6 (16)

NOTE: REFER TO APPLICABLE CODES FOR PROPER WIRE TYPE AND SIZE

FOR ADDITIONAL DETAILS AND SPECIFICATIONS, CONSULT MANUAL

TOLERANCES / REFERENCES:			DRAWN: J. MATTAS DATE: 9-3-14	TITLE: R1000 DIMENSION DRAWING FRAME SIZE 5 IP00 ENCLOSURE 2A0053A, 4A0053A & 4A0073A
UNITS: IN[mm]	SCALE: BY VIEW		CHECKED: J. PIOTROWSKI DATE: 10-7-14	DATE: 9-22-14
THIS DOCUMENT AND INFORMATION CONTAINED IN IT ARE CONFIDENTIAL, AND CANNOT BE COPIED OR DISCLOSED IN WHOLE OR IN PART WITHOUT THE EXPRESS WRITTEN CONSENT OF YASKAWA AMERICA, INC.		TECH: J. BORJA DATE: 11-18-14	DATE: 11-18-14	SIZE: A
		APPROVED: J. CAIRO	DATE: -	REVISION: R00
		ORIGINAL DESIGN: -	DATE: -	PAGE: 2 of 4
		DRAWING #: <b>DD.R1K.FR5.IP00</b>		

TERMINAL AND WIRING DETAILS (SCALE 1:6)  
 MODELS RU4A0053A AND RU4A0073A ONLY



TERMINAL AND WIRE SPECIFICATIONS FOR  
 MAIN CIRCUIT AND GROUND

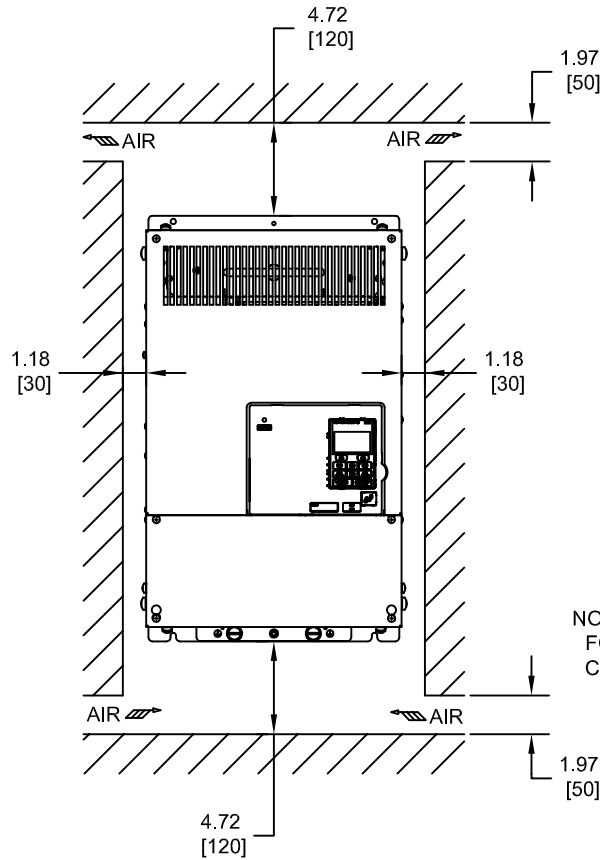
MODEL # CIMR-RU	TERMINAL SYMBOL	TERMINAL SCREW	CLAMPING TORQUE lb.in.(N.m.)	WIRE RANGE AWG(mm <sup>2</sup> )
4A0053A 4A0073A	R/L1, S/L2, T/L3, ⊖, ⊕	M8	47.8 TO 53.1 (5.4 TO 6)	2-2/0 (35-70)
	r1/211, s1/221, t1/231	M4	9.7 TO 10.6 (1.1 TO 1.2)	14-10 (2.5-6)
	⊕	M10	159 TO 204 (18 TO 23)	6 (16)

NOTE: REFER TO APPLICABLE CODES FOR PROPER WIRE TYPE AND SIZE

FOR ADDITIONAL DETAILS AND SPECIFICATIONS, CONSULT MANUAL

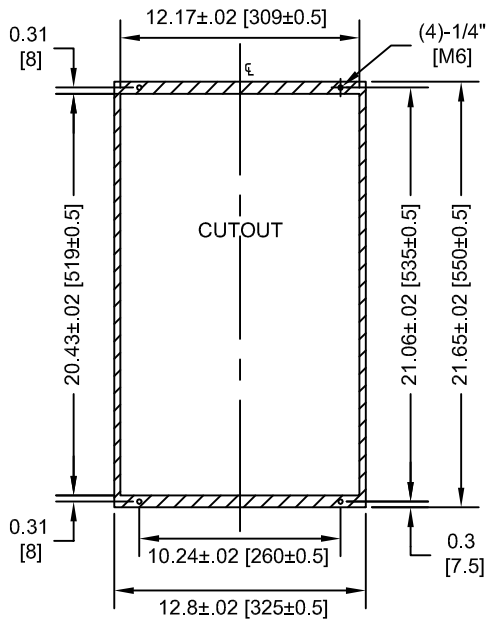
TOLERANCES / REFERENCES:			DRAWN: J. MATTAS CHECKED: J. PIOTROWSKI TECH: J. BORJA APPROVED: J. CAIRO ORIGINAL DESIGN: -	DATE: 9-3-14 DATE: 10-7-14 DATE: 9-22-14 DATE: 11-18-14 DATE: -	TITLE: R1000 DIMENSION DRAWING FRAME SIZE 5 IP00 ENCLOSURE 2A0053A, 4A0053A & 4A0073A
UNITS: IN[mm]	SCALE: BY VIEW		THIS DOCUMENT AND INFORMATION CONTAINED IN IT ARE CONFIDENTIAL, AND CANNOT BE COPIED OR DISCLOSED IN WHOLE OR IN PART WITHOUT THE EXPRESS WRITTEN CONSENT OF YASKAWA AMERICA, INC.	SIZE: A REVISION: R00 DRAWING #: DD.R1K.FR5.IP00	PAGE: 3 of 4

MINIMUM INSTALLATION CLEARANCES (SCALE 1:10)



NOTE:  
FOR SIDE-BY-SIDE MOUNTING  
CONSULT MANUAL

PANEL CUTOUT FOR EXTERNAL HEATSINK  
MOUNTING CONFIGURATION (SCALE 1:10)



NOTE:  
EXPOSED HEATSINK DEPTH  
D=4.33" MINUS PANEL THICKNESS

FOR ADDITIONAL DETAILS AND SPECIFICATIONS, CONSULT MANUAL

TOLERANCES / REFERENCES:			DRAWN: J. MATTAS	DATE: 9-3-14	TITLE: R1000 DIMENSION DRAWING			
UNITS: IN[mm]	SCALE: BY VIEW		CHECKED: J. PIOTROWSKI	DATE: 10-7-14	FRAME SIZE 5 IP00 ENCLOSURE			
		THIS DOCUMENT AND INFORMATION CONTAINED IN IT ARE CONFIDENTIAL, AND CANNOT BE COPIED OR DISCLOSED IN WHOLE OR IN PART WITHOUT THE EXPRESS WRITTEN CONSENT OF YASKAWA AMERICA, INC.			TECH: J. BORJA	DATE: 9-22-14	2A0053A, 4A0053A & 4A0073A	
		APPROVED: J. CAIRO	DATE: 11-18-14	ORIGINAL DESIGN: -	DATE: -	SIZE: A	REVISION: R00	PAGE: 4 of 4
						DRAWING #: DD.R1K.FR5.IP00		