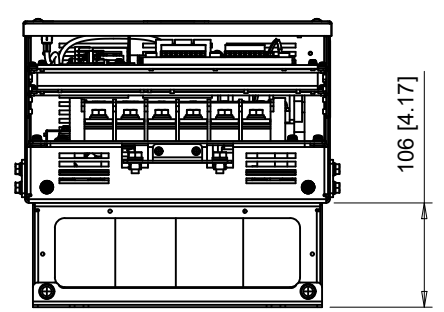


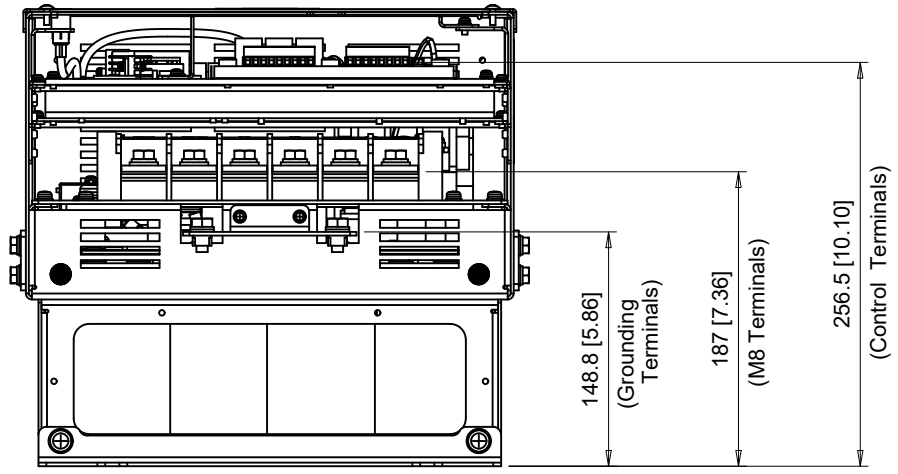
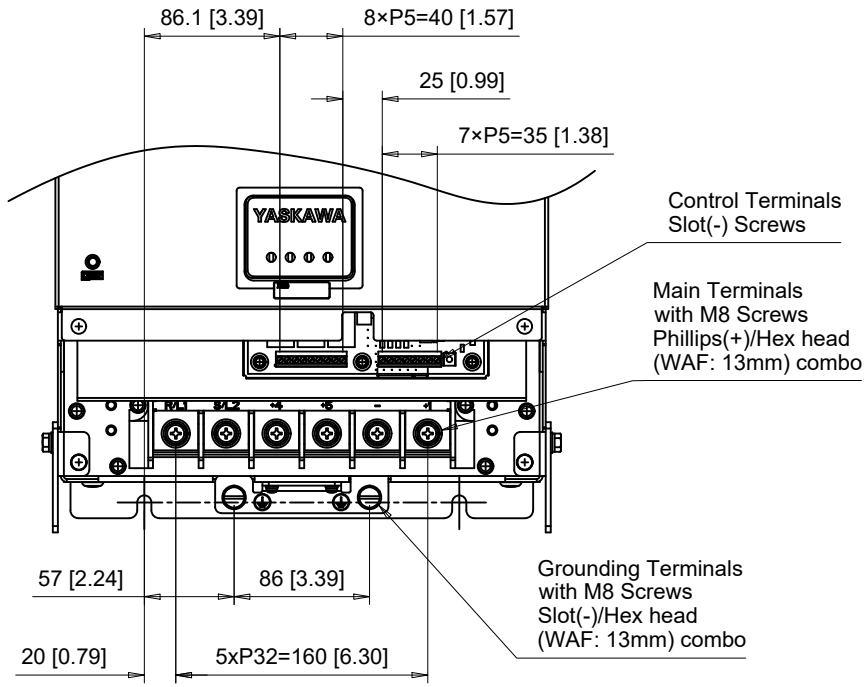
Detail A
Top mounting hole dimensions
Scale 1:1



C/C: SPBC-	INPUT VOLTAGE 1-PHASE (VAC)	OUTPUT CAPACITY (kW)	WEIGHT Kg (lb)	COOLING FANS	HEAT LOSS (W)		
					INT	EXT	TOT
2037□□□	230 TO 240	37	33 (72.8)	2	281	878	1159
2045□□□		45	33 (72.8)	2	339	1031	1370
4056□□□	460 TO 480	56	33.6 (74.0)	2	248	834	1082

□ denotes A-Z
INT=Internal Components
EXT=External Heatsink
TOT=Total

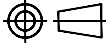
Terminal and Wiring Information for SPBC-2037 and SPBC-4056



C/C: SPBC-	TERMINAL SYMBOL	WIRE RANGE AWG (mm ²)	TERMINAL SCREW	CLAMPING TORQUE N.m. (lb.in.)
2037□□□	R/L1, S/L2, +4, +5, -, +1	6 - 250 (13.3 - 127)	M8	9.0 - 11.0 (79.7 - 97.4)
4056□□□	⊕	See Note	M8	9.0 - 11.0 (79.7 - 97.4)

□ Denotes A-Z
 Note: Refer to applicable codes and standards for proper wire type and size.

YASKAWA


 UNITS MM [IN]
 SCALE 1:5

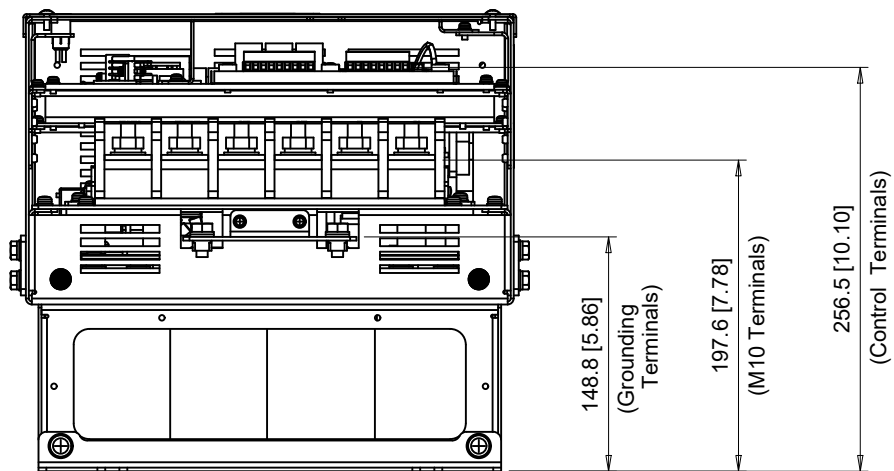
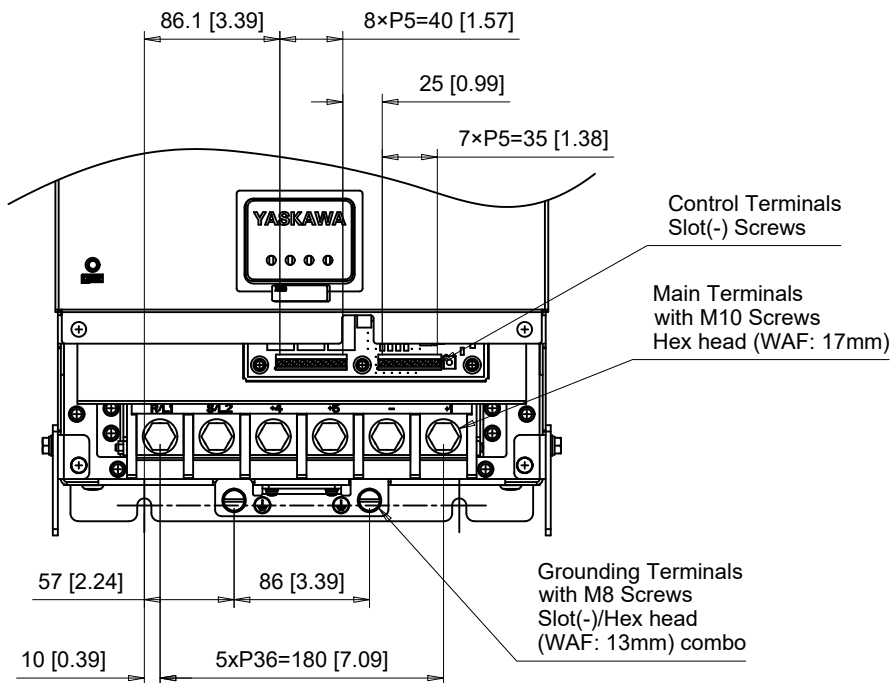
DRWN.	J. MATTAS	1-16-19
CHKD.	J. PIOTROWSKI	1-21-19
TECH.	L. UDDIN	1-22-19
APRV.	J. CAIRO	2-5-19

TITLE
 SPBC DIMENSION DRAWING
 FRAME SIZE 3A
 IP00 ENCLOSURE

SIZE A
 PAGE 2 OF 4
 DWG.NO.
 DD.SPBC.FR3A.IP00

REV
 0

Terminal and Wiring Information for SPBC-2045



C/C: SPBC-	TERMINAL SYMBOL	WIRE RANGE AWG (mm ²)	TERMINAL SCREW	CLAMPING TORQUE N.m. (lb.in.)
2045□□□	R/L1, S/L2, +4, +5, -, +1	1 - 350 (42.4 - 152)	M10	18 - 23 (159 - 204)
	⊙	See Note	M8	9.0 - 11.0 (79.7 - 97.4)

□ Denotes A-Z

Note: Refer to applicable codes and standards for proper wire type and size.

YASKAWA



UNITS MM [IN]

SCALE 1:5

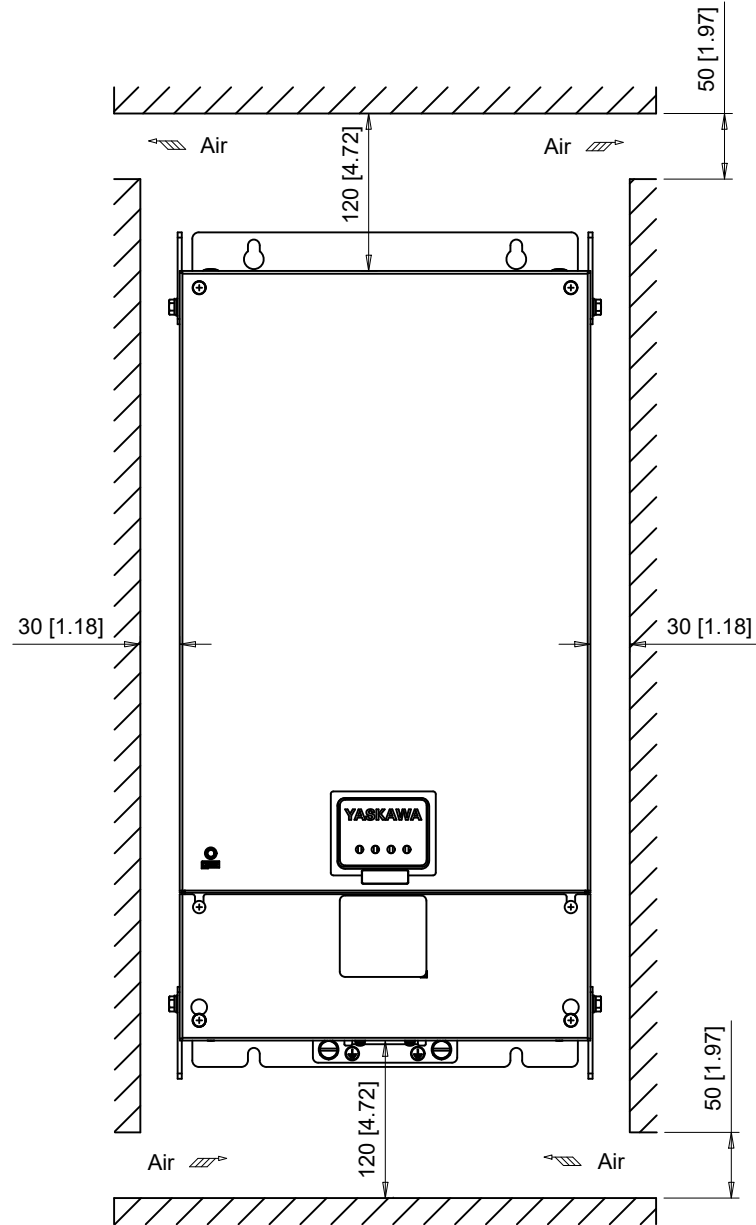
DRWN.	J. MATTAS	1-16-19
CHKD.	J. PIOTROWSKI	1-21-19
TECH.	L. UDDIN	1-22-19
APRV.	J. CAIRO	2-5-19

TITLE
SPBC DIMENSION DRAWING
FRAME SIZE 3A
IP00 ENCLOSURE

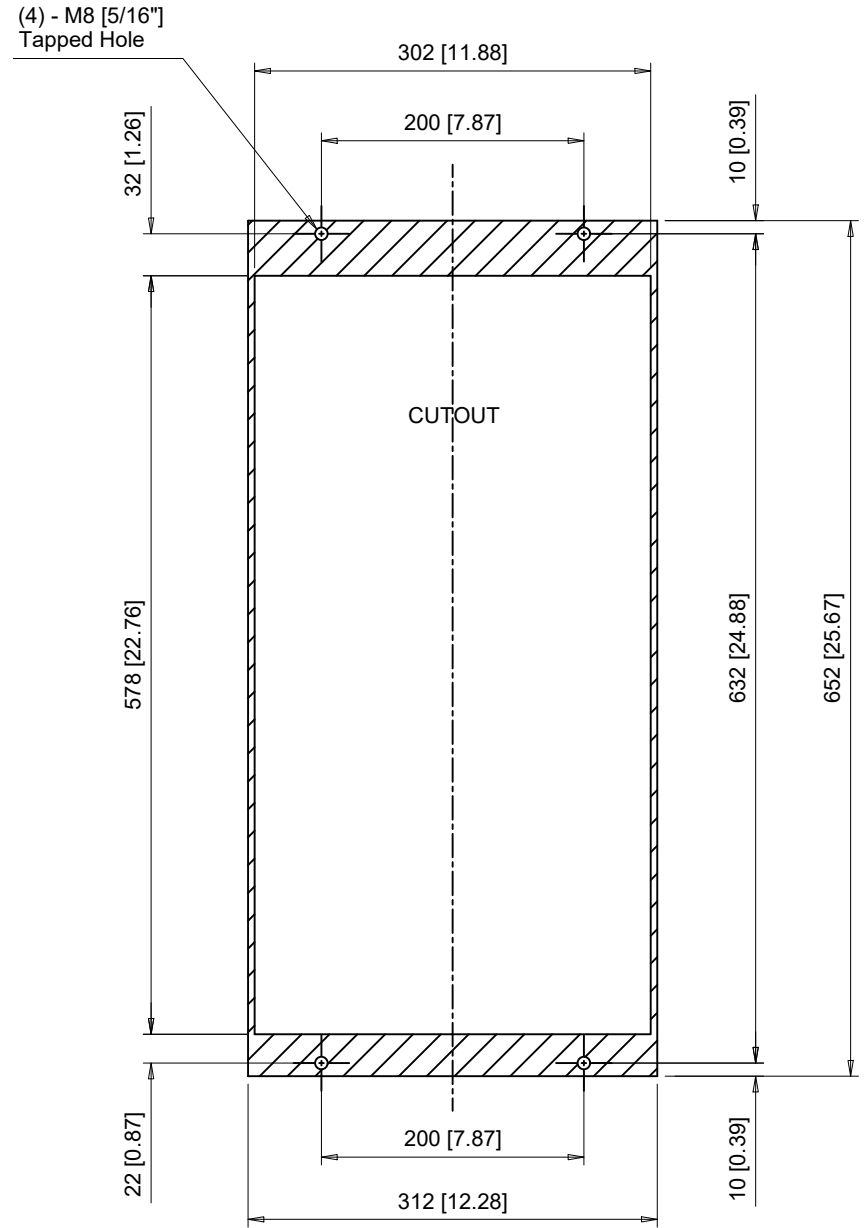
SIZE A PAGE 3 OF 4
DWG.NO.
DD.SPBC.FR3A.IP00

REV
0

Minimum Installation Clearances



Panel Cutout
For External Heatsink Mounting Configuration



Notes:
Exposed heatsink minimum clearance D = 106 [4.17].

YASKAWA

UNITS MM [IN]
SCALE 1:6

DRWN.	J. MATTAS	1-16-19
CHKD.	J. PIOTROWSKI	1-21-19
TECH.	L. UDDIN	1-22-19
APRV.	J. CAIRO	2-5-19

TITLE
SPBC DIMENSION DRAWING
FRAME SIZE 3A
IP00 ENCLOSURE

SIZE A
PAGE 4 OF 4
DWG.NO.
DD.SPBC.FR3A.IP00

REV
0