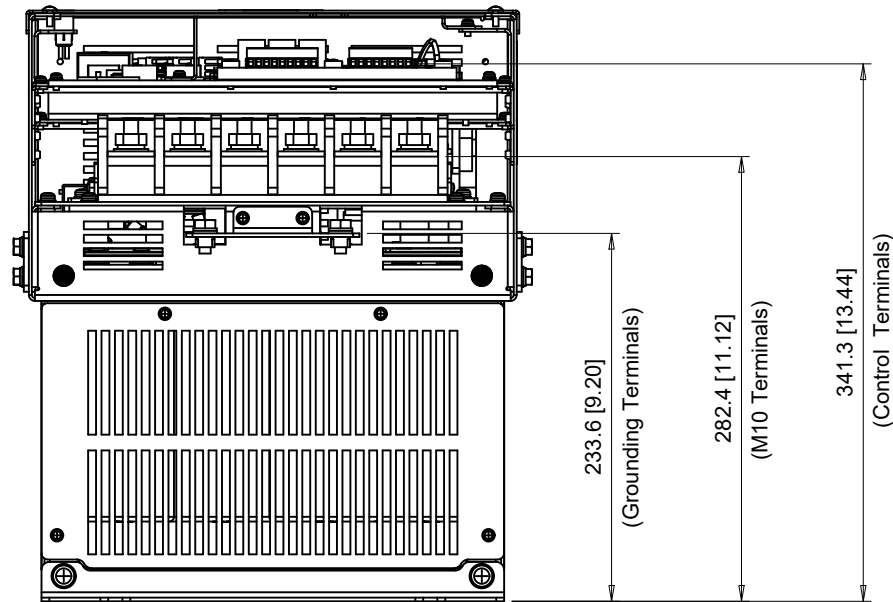
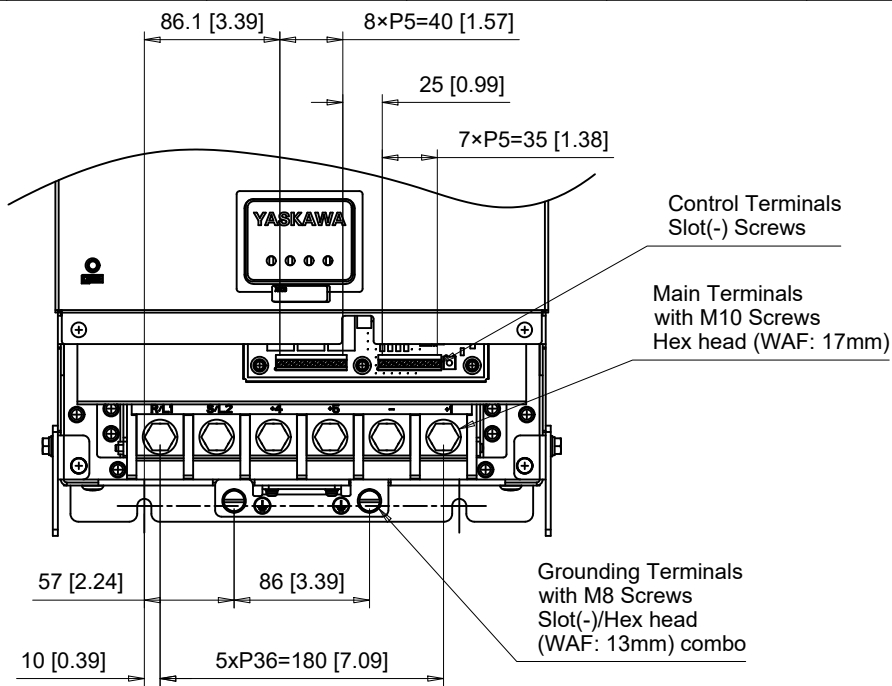


The dimensions shown are for an IP00 Type Converter that has been converted to a NEMA Type 1 Converter by adding the parts from NEMA 1 Kit part number UUX001703

C/C: SPBC-	INPUT VOLTAGE 1-PHASE (VAC)	OUTPUT CAPACITY (kW)	WEIGHT Kg (lb)	COOLING FANS	HEAT LOSS (W)		
					INT	EXT	TOT
4093□□□	460 TO 480	93	45.5 (100)	2	488	1556	2044

□ denotes A-Z

INT=Internal Components
EXT=External Heatsink
TOT=Total



C/C: SPBC-	TERMINAL SYMBOL	WIRE RANGE AWG (mm ²)	TERMINAL SCREW	CLAMPING TORQUE N.m. (lb.in.)
4093□□□	R/L1, S/L2, +4, +5, -, +1	1 - 350 (42.4 - 152)	M10	18 - 23 (159 - 204)
	⊙	See Note	M8	9.0 - 11.0 (79.7 - 97.4)

□ Denotes A-Z

Note: Refer to applicable codes and standards for proper wire type and size.

YASKAWA

	DRWN.	J. MATTAS	2-8-19
	CHKD.	J. PIOTROWSKI	2-11-19
	TECH.	L. UDDIN	2-14-19
	APRV.	J. CAIRO	2-15-19
UNITS	MM [IN]		
SCALE	1:5		

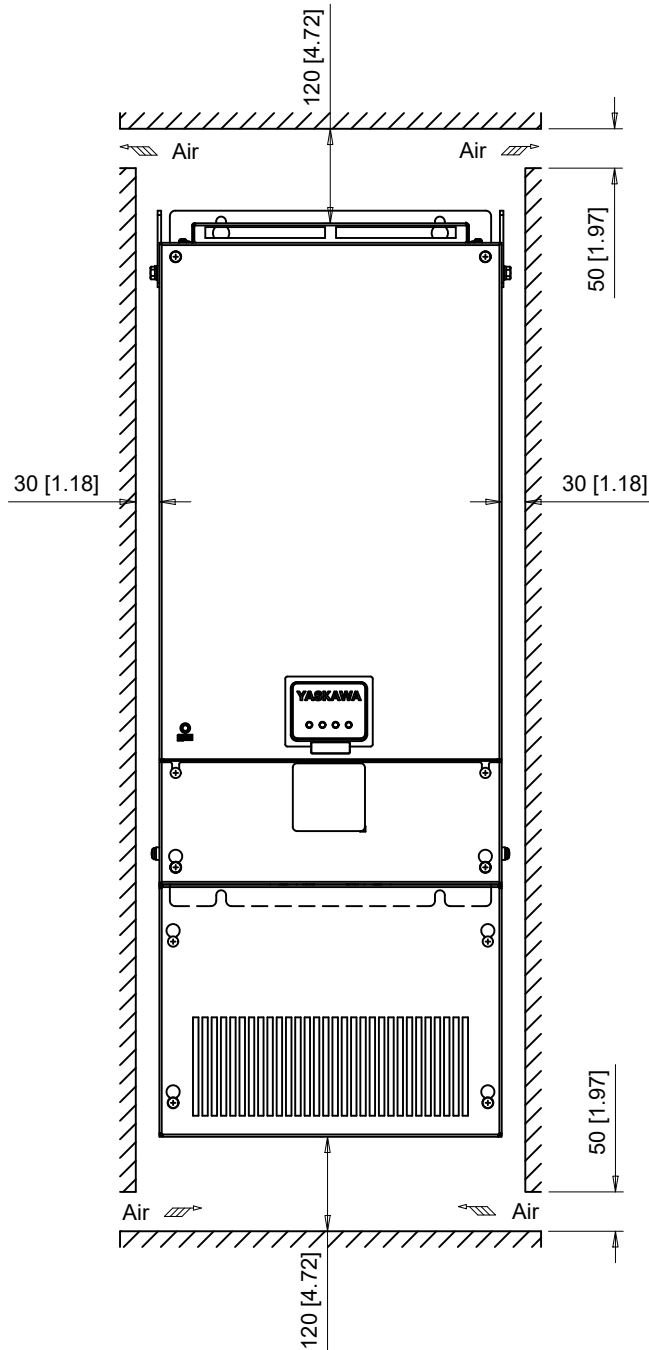
DRWN.	J. MATTAS	2-8-19
CHKD.	J. PIOTROWSKI	2-11-19
TECH.	L. UDDIN	2-14-19
APRV.	J. CAIRO	2-15-19

TITLE
SPBC DIMENSION DRAWING
FRAME SIZE 3B
NEMA TYPE 1 ENCLOSURE

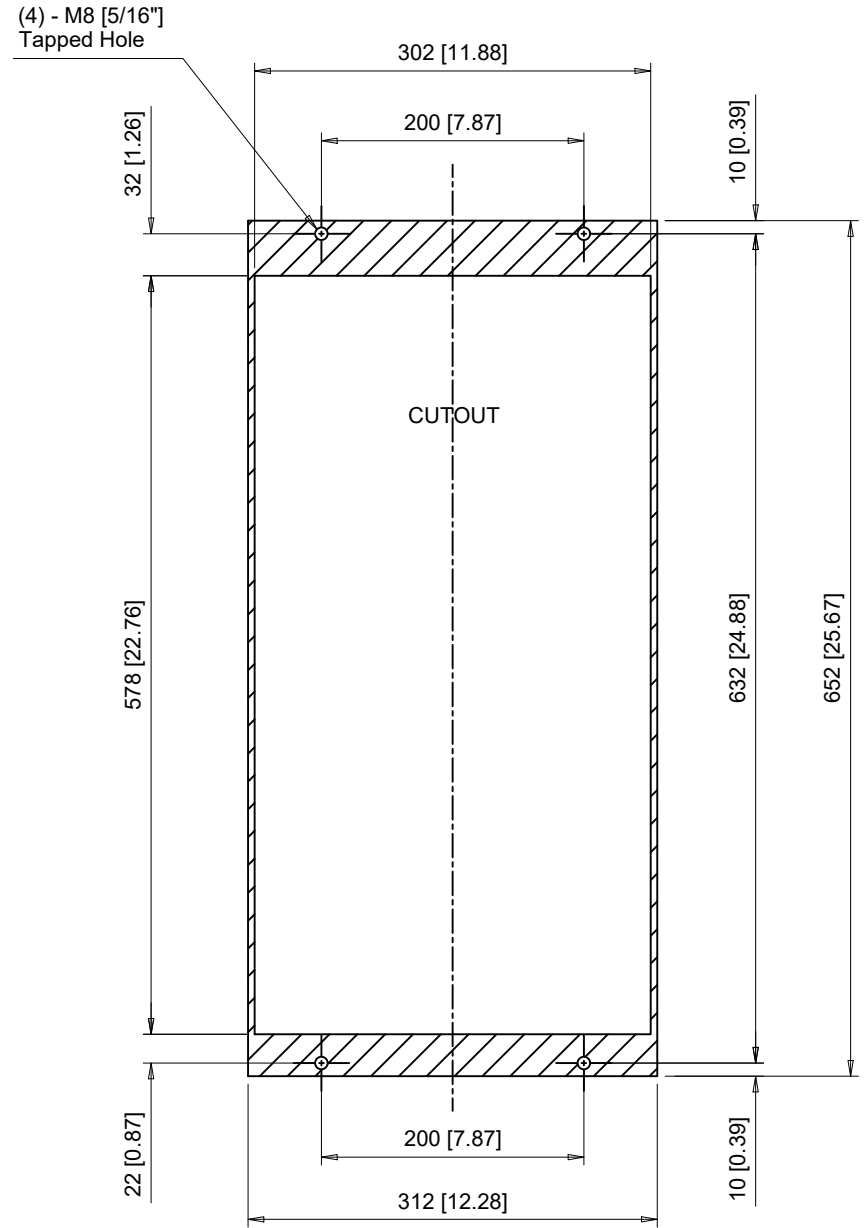
SIZE A PAGE 2 OF 3
DWG.NO.
DD.SPBC.FR3B.N1

REV
0

Minimum Installation Clearances (Scale 1:10)



Panel Cutout (Scale 1:6)
For External Heatsink Mounting Configuration



Notes:
Exposed heatsink minimum clearance D = 106 [4.17].

YASKAWA

UNITS MM [IN]
SCALE ABOVE

DRWN.	J. MATTAS	2-8-19
CHKD.	J. PIOTROWSKI	2-11-19
TECH.	L. UDDIN	2-14-19
APRV.	J. CAIRO	2-15-19

TITLE
SPBC DIMENSION DRAWING
FRAME SIZE 3B
NEMA TYPE 1 ENCLOSURE

SIZE A
PAGE 3 OF 3
DWG.NO.
DD.SPBC.FR3B.N1

REV
0