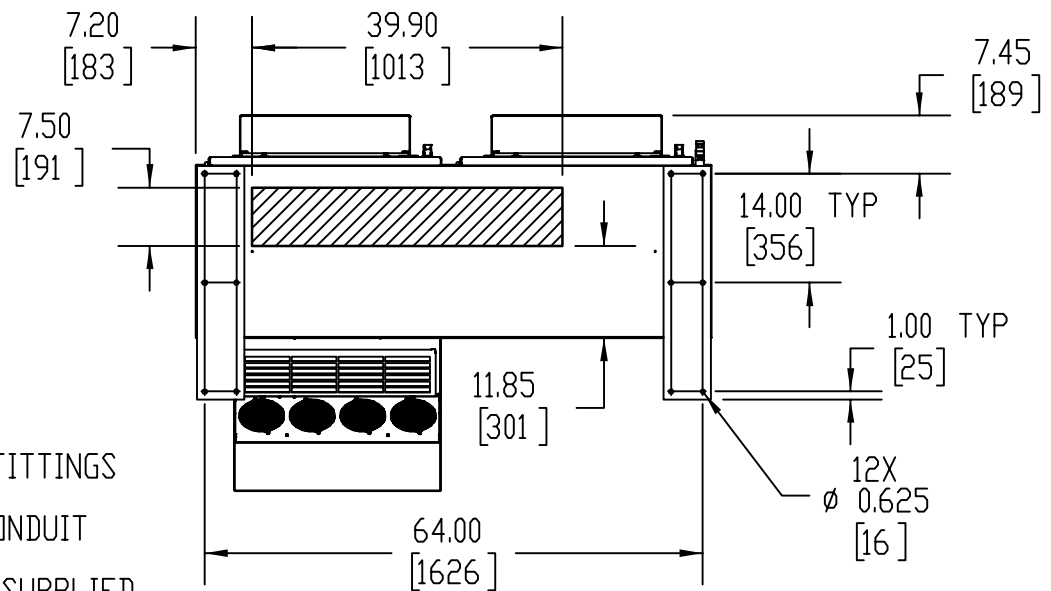
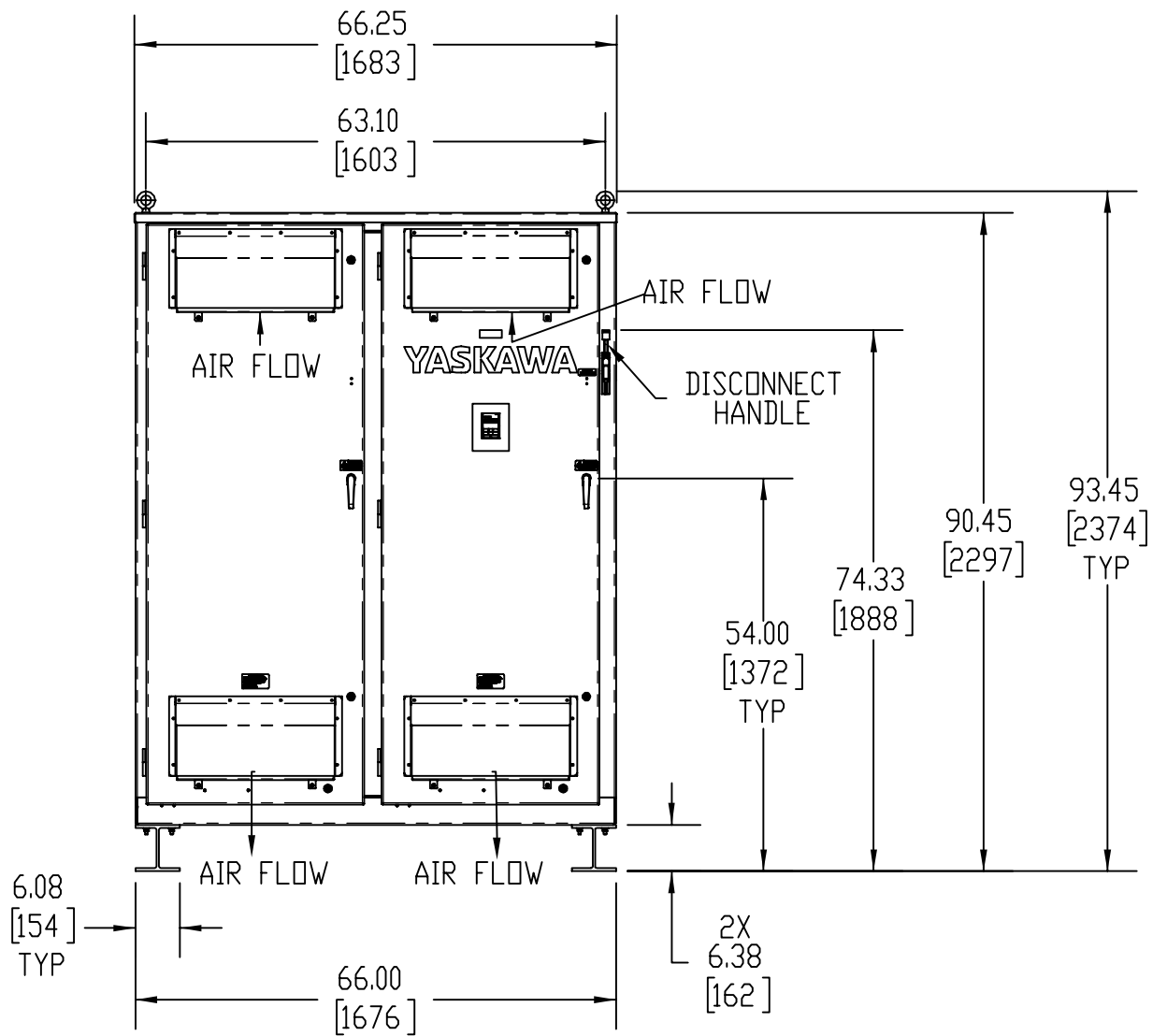


NOTICE:
WHEN MOUNTING ENCLOSURE, PROVIDE REAR ACCESS FOR SERVICING REAR EXHAUST HOOD FANS.



- NOTES:
- FOR REFERENCE ONLY UNLESS PROPERLY ENDORSED. FOR ADDITIONAL DETAILS AND SPECIFICATIONS, CONSULT FACTORY.
 - DIMENSIONS ARE IN INCHES[MILLIMETERS]
 - USE APPROPRIATE TYPE RATED HUBS OR FITTINGS TO MAINTAIN ENCLOSURE RATING.
 - HATCHED AREA INDICATES PERMISSIBLE CONDUIT ENTRANCE AREA.
 - FANS, FILTERS, OR CLOSING PLATES ARE SUPPLIED WHEN OPTION MIX NECESSITATES.

YASKAWA	DRAWN: N. Lows	DATE: 03/04/2021	TITLE: DIMENSION DRAWING, U1000, 3R, F2		
	CHECKED: K. Malusic	DATE: 03/05/2021	MATERIAL #		
THIS DOCUMENT AND INFORMATION CONTAINED IN IT ARE CONFIDENTIAL, AND CANNOT BE COPIED OR DISCLOSED IN WHOLE OR IN PART WITHOUT THE EXPRESS WRITTEN CONSENT OF YASKAWA AMERICA INC.	TECH:	DATE:	SIZE: A	REVISION: 00	PAGE: 1 OF 1
	APPROVED: R. Jensen	DATE: 03/08/2021	DRAWING #:		
	ORIGINAL DESIGNER: N. Lows	DATE: 03/05/2021	DD.U1E.3R.F2.01		