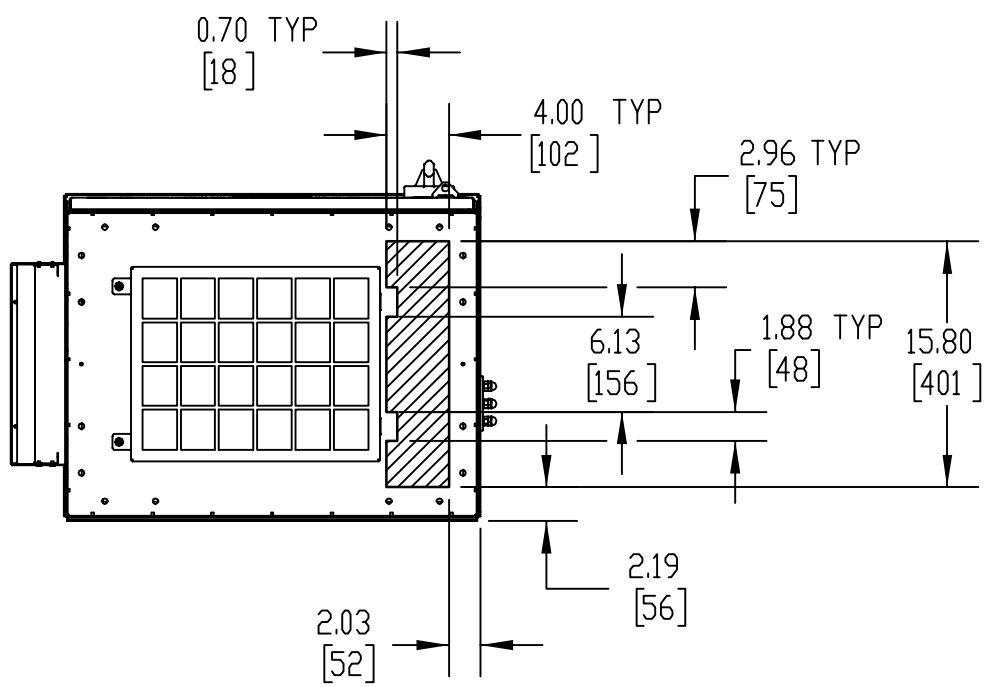
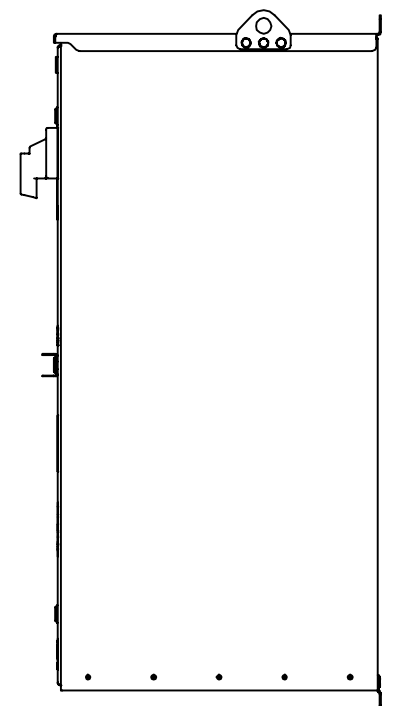
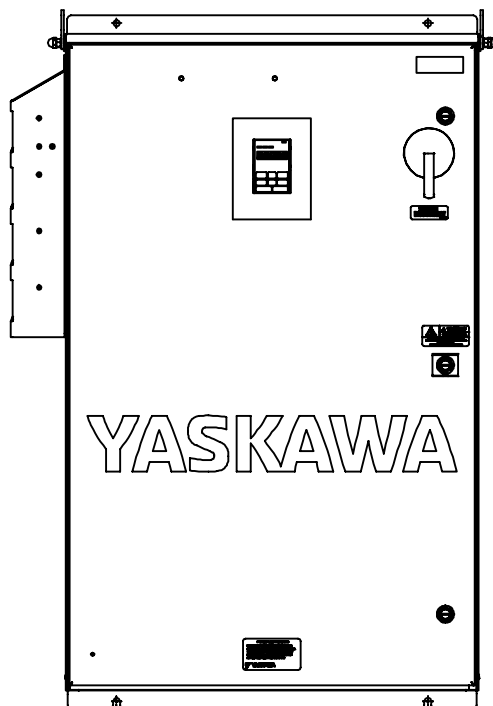
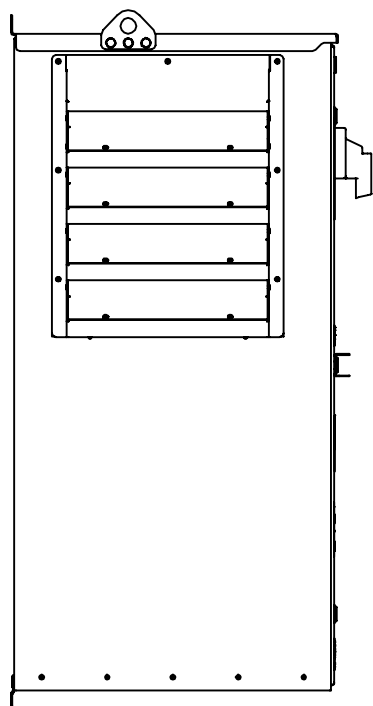
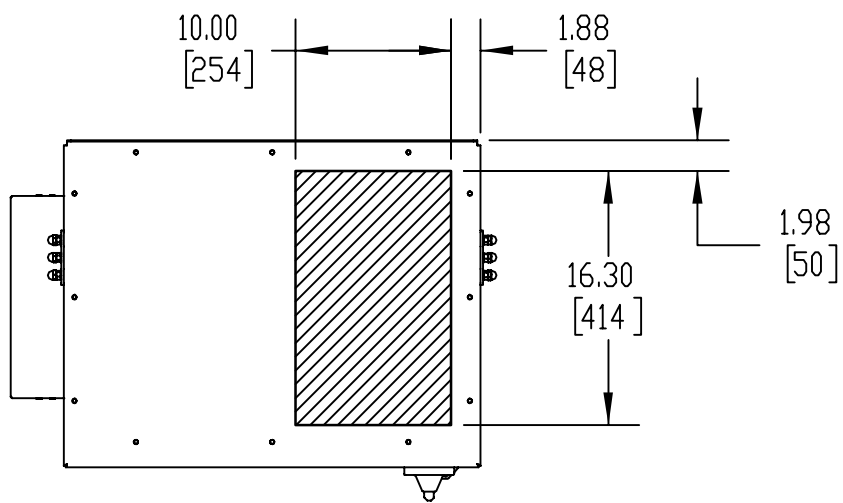


NOTES:

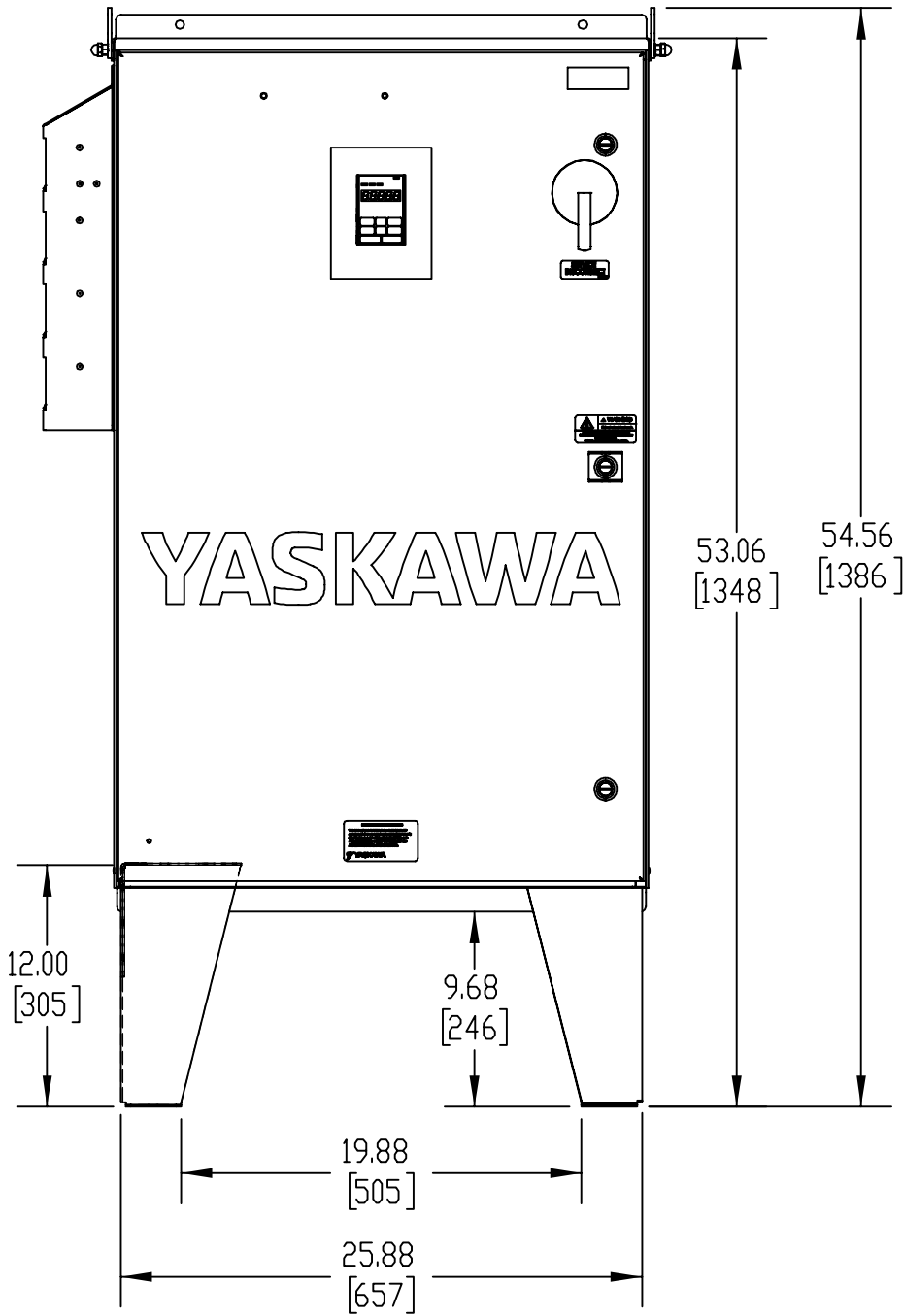
- A. FOR REFERENCE ONLY UNLESS PROPERLY ENDORSED. FOR ADDITIONAL DETAILS AND SPECIFICATIONS, CONSULT FACTORY.
- B. DIMENSIONS ARE IN INCHES[MILLIMETERS].
- C. USE APPROPRIATE TYPE RATED HUBS OR FITTINGS TO MAINTAIN ENCLOSURE RATING.
- D. HATCHED AREA INDICATES PERMISSIBLE CONDUIT ENTRANCE AREA.

<b>YASKAWA</b>	DRAWN: N. Laws	DATE 03/04/2021	TITLE: DIMENSION DRAWING, U1000, 3R, W2		
	CHECKED: K. Malusic	DATE 03/05/2021			
THIS DOCUMENT AND INFORMATION CONTAINED IN IT ARE CONFIDENTIAL, AND CANNOT BE COPIED OR DISCLOSED IN WHOLE OR IN PART WITHOUT THE EXPRESS WRITTEN CONSENT OF YASKAWA AMERICA INC.	TECH	DATE	MATERIAL #		
	APPROVED: R. Jensen	DATE 03/08/2021	SIZE A	REVISION 00	PAGE 1 OF 3
	ORIGINAL DESIGN: N. Laws	DATE 03/04/2021	DRAWING #: DD.U1E.3R.W2.01		

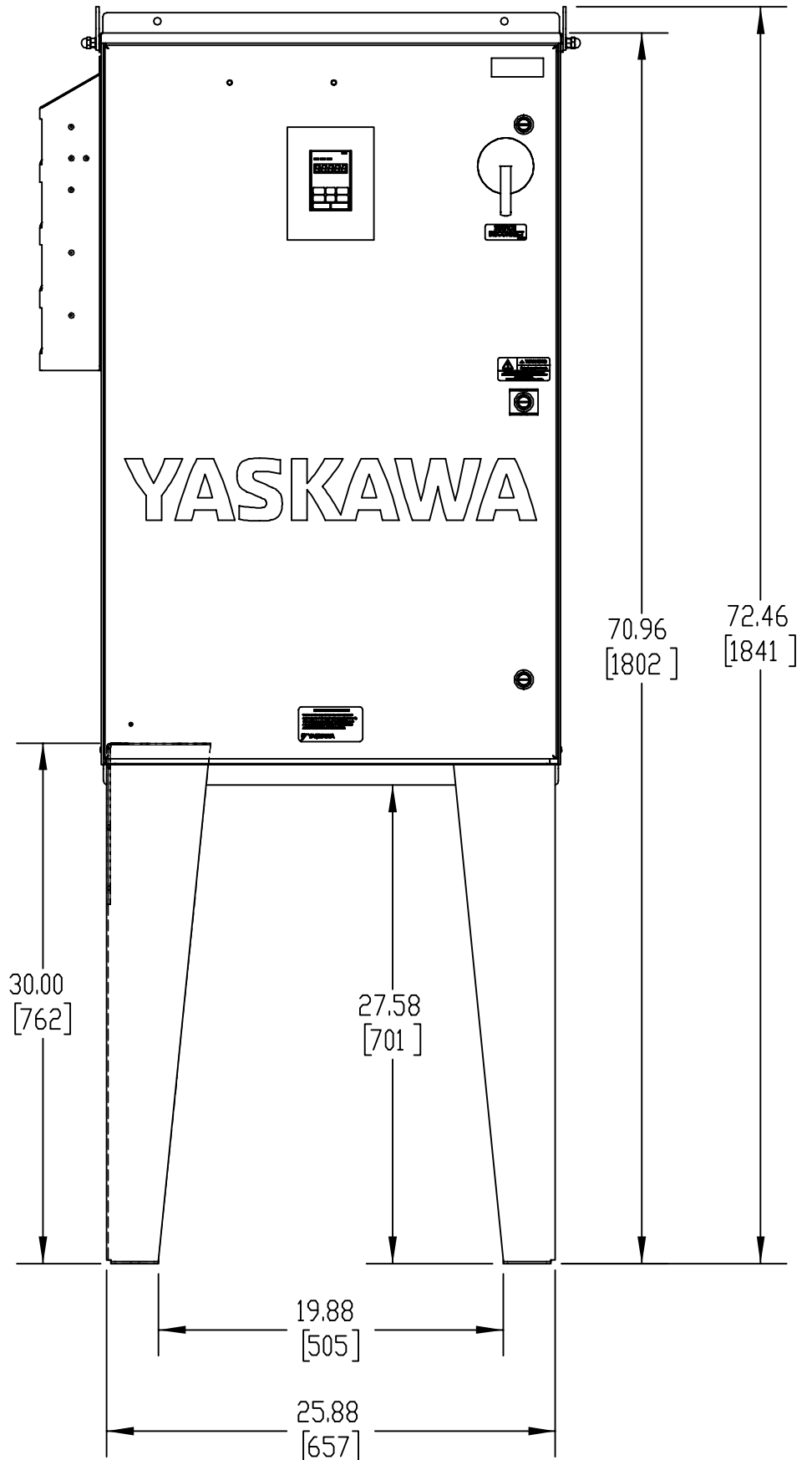


<b>YASKAWA</b>	DRAWN: N. Laws	DATE 03/04/2021	TITLE: DIMENSION DRAWING, U1000, 3R, W2		
	CHECKED: K. Malusic	DATE 03/05/2021	MATERIAL #		
THIS DOCUMENT AND INFORMATION CONTAINED IN IT ARE CONFIDENTIAL, AND CANNOT BE COPIED OR DISCLOSED IN WHOLE OR IN PART WITHOUT THE EXPRESS WRITTEN CONSENT OF YASKAWA AMERICA INC.	TECH	DATE	SIZE A	REVISION 00	PAGE 2 OF 3
	APPROVED: R. Jensen	DATE 03/08/2021	DRAWING #:		
	ORIGINAL DESIGNER: N. Laws	DATE 03/04/2021	DD.U1E.3R.W2.01		

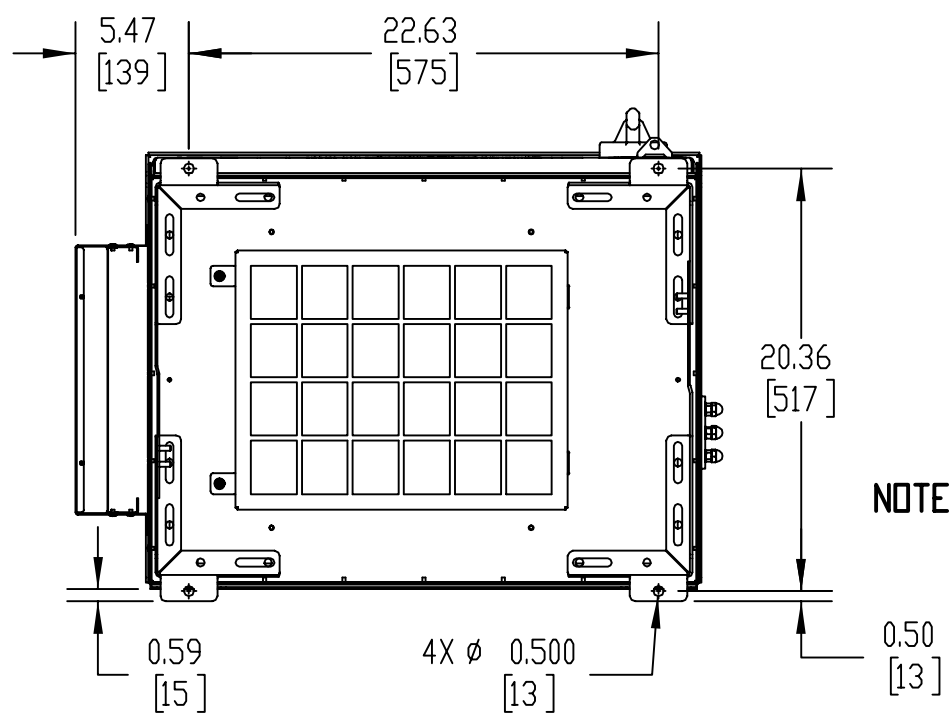
## LEG STAND MOUNTING OPTION DIMENSIONS



**12" HIGH LEGS**



**30" HIGH LEGS**



**NOTE: DRILL PATTERN IS SAME FOR 12" AND 30" LEGS**

<b>YASKAWA</b>	DRAWN: N. Laws CHECKED: K. Malusic TECH:	DATE: 03/04/2021 DATE: 03/05/2021 DATE:	TITLE: DIMENSION DRAWING, U1000, 3R, W2		
	APPROVED: R. Jensen ORIGINAL DESIGN: N. Laws	DATE: 03/08/2021 DATE: 03/04/2021	MATERIAL # SIZE: A      REVISION: 00      PAGE: 3 OF 3 DRAWING #: DD.U1E.3R.W2.01		