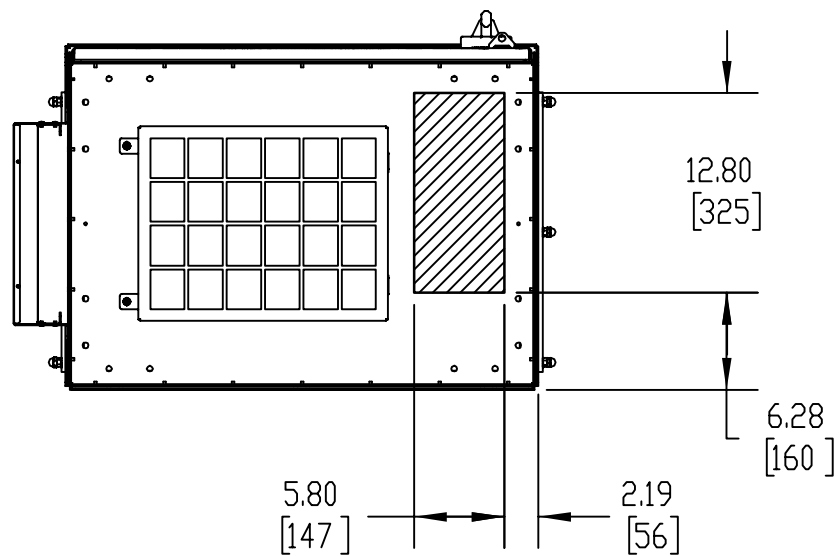
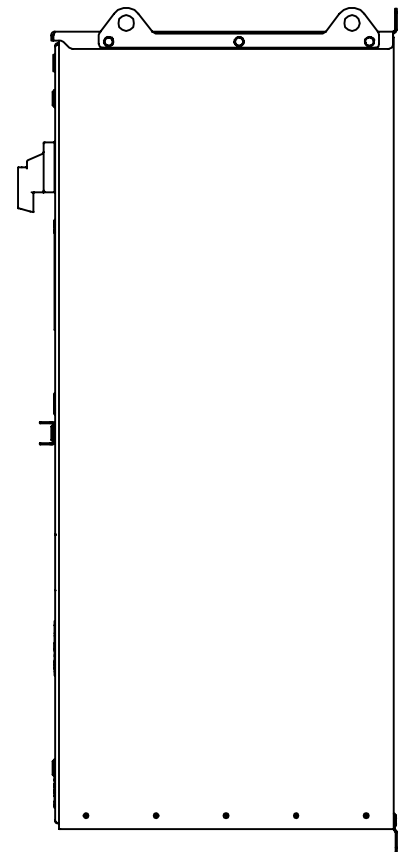
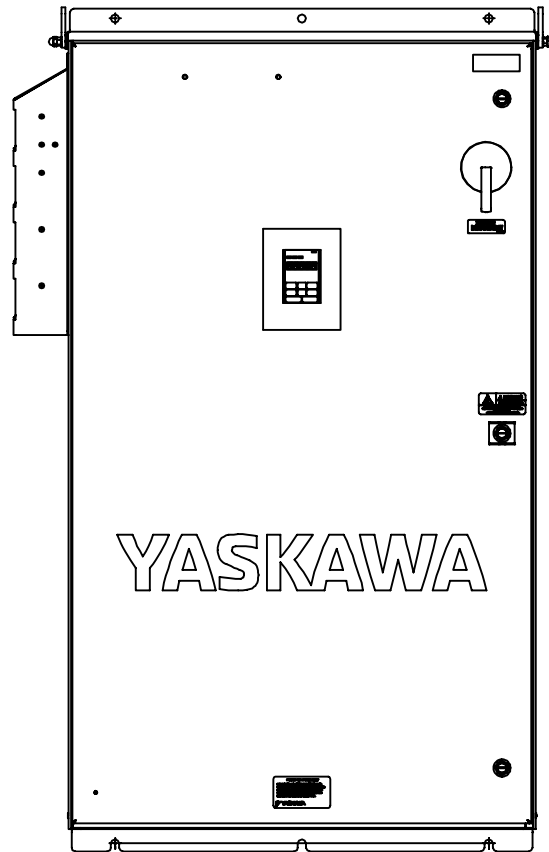
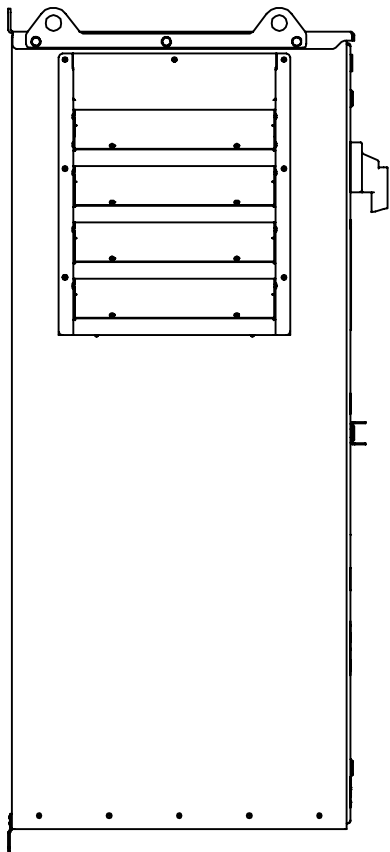
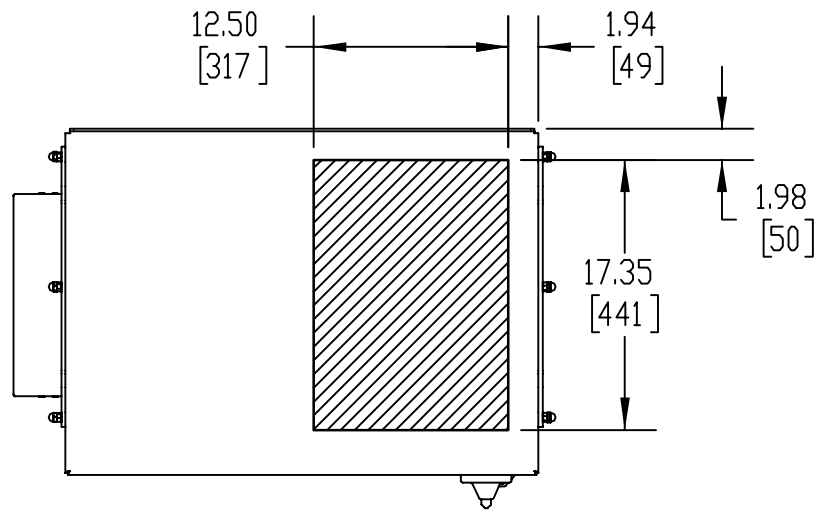



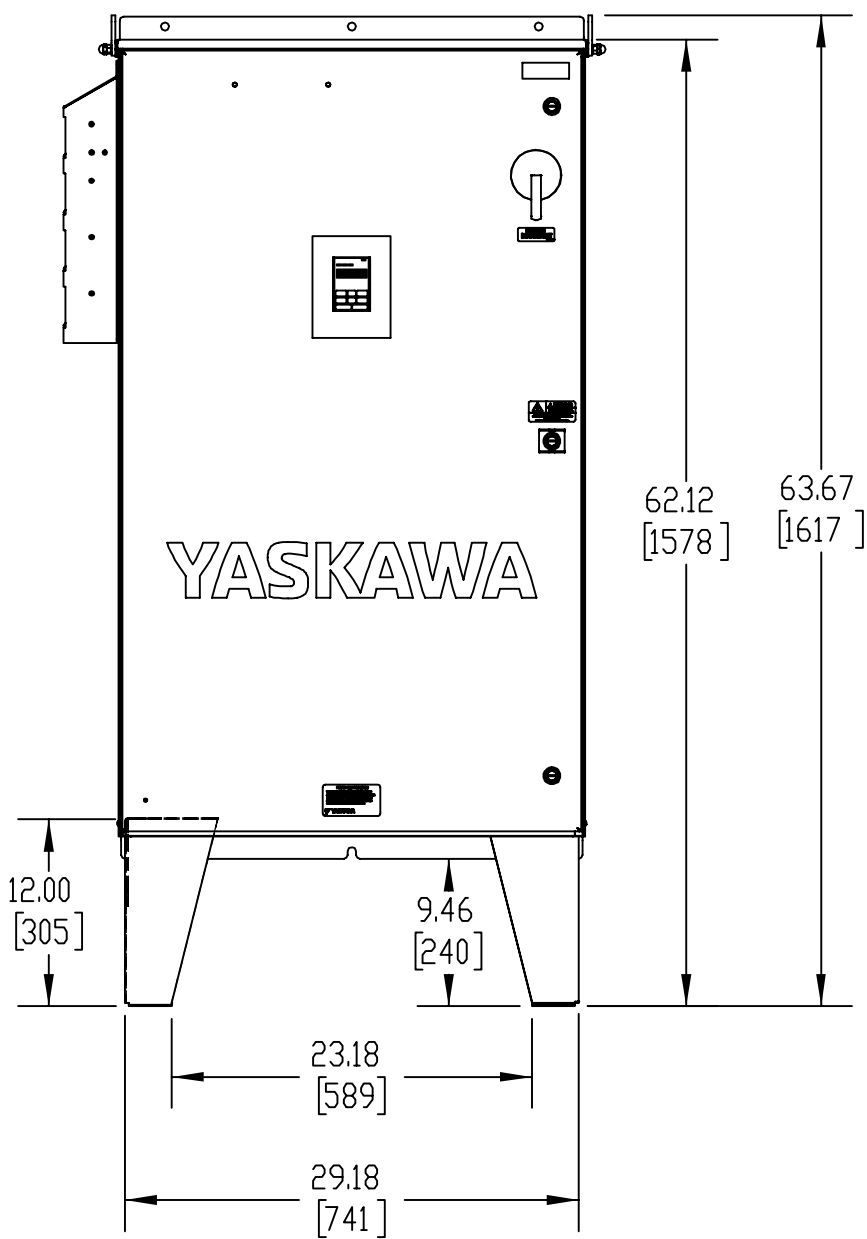
- NOTES:
- A. FOR REFERENCE ONLY UNLESS PROPERLY ENDORSED. FOR ADDITIONAL DETAILS AND SPECIFICATIONS, CONSULT FACTORY.
 - B. DIMENSIONS ARE IN INCHES[MILLIMETERS].
 - C. USE APPROPRIATE TYPE RATED HUBS OR FITTINGS TO MAINTAIN ENCLOSURE RATING.
 - D. HATCHED AREA INDICATES PERMISSIBLE CONDUIT ENTRANCE AREA.

YASKAWA	DRAWN: N. Laws	DATE 03/04/2021	TITLE: DIMENSION DRAWING, U1000, 3R, W3		
	CHECKED: K. Malusic	DATE 03/05/2021			
THIS DOCUMENT AND INFORMATION CONTAINED IN IT ARE CONFIDENTIAL, AND CANNOT BE COPIED OR DISCLOSED IN WHOLE OR IN PART WITHOUT THE EXPRESS WRITTEN CONSENT OF YASKAWA AMERICA INC.	TECH	DATE	MATERIAL #		
	APPROVED: R. Jensen	DATE 03/08/2021	SIZE A	REVISION 00	PAGE 1 OF 3
	ORIGINAL DESIGNER: N. Laws	DATE 03/04/2021	DRAWING #: DD.U1E.3R.W3.01		

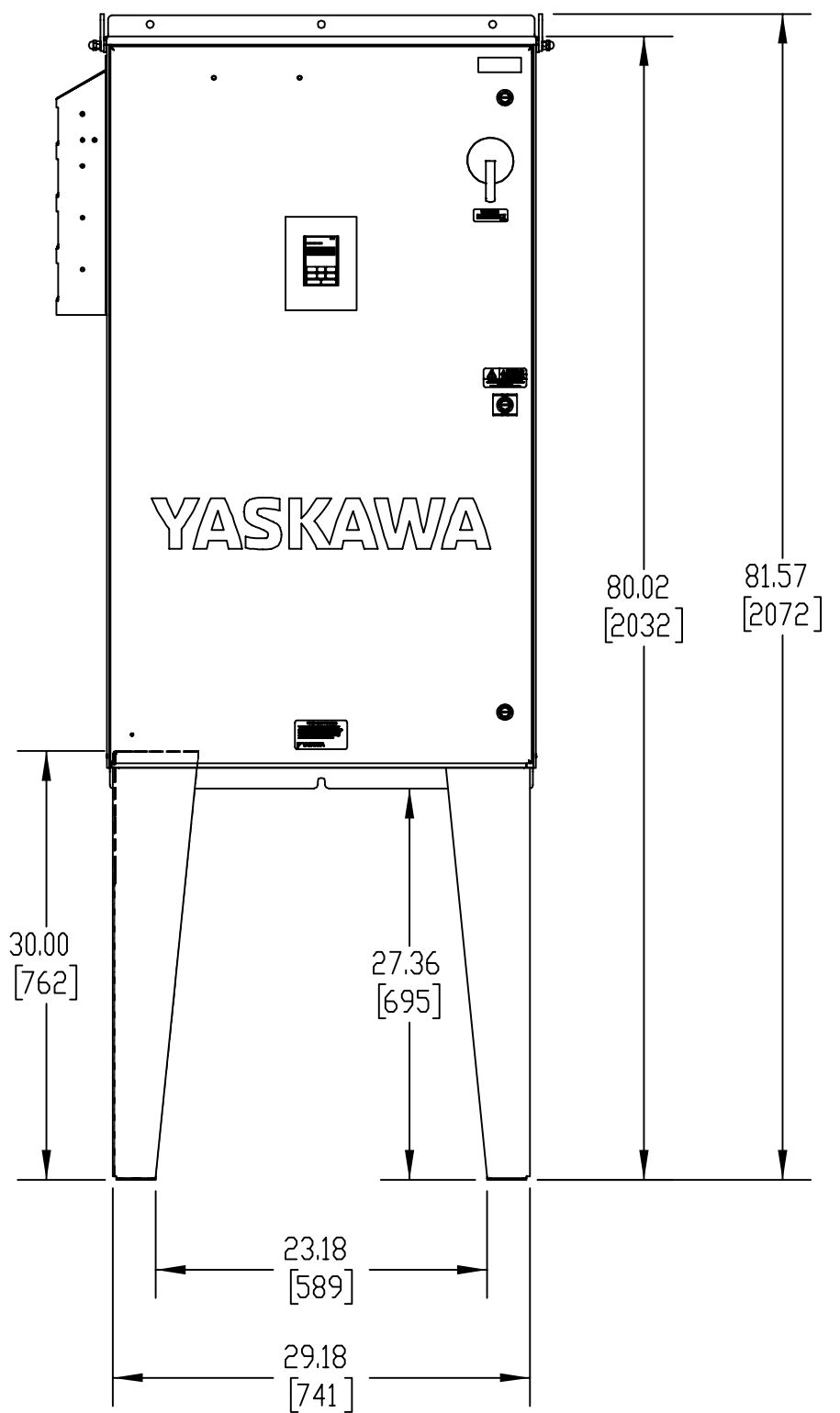


	DRAWN: N. Laws CHECKED: K. Malusic TECH:	DATE: 03/04/2021 DATE: 03/05/2021 DATE:	TITLE: DIMENSION DRAWING, U1000, 3R, W3		
	APPROVED: R. Jensen ORIGINAL DESIGN: N. Laws	DATE: 03/08/2021 DATE: 03/04/2021	MATERIAL # SIZE A	REVISION 00	PAGE 2 OF 3
	THIS DOCUMENT AND INFORMATION CONTAINED IN IT ARE CONFIDENTIAL, AND CANNOT BE COPIED OR DISCLOSED IN WHOLE OR IN PART WITHOUT THE EXPRESS WRITTEN CONSENT OF YASKAWA AMERICA INC.		DRAWING #: DD.U1E.3R.W3.01		
	Prepared by nathan_laws 3/8/2021 2:53:52 PM				

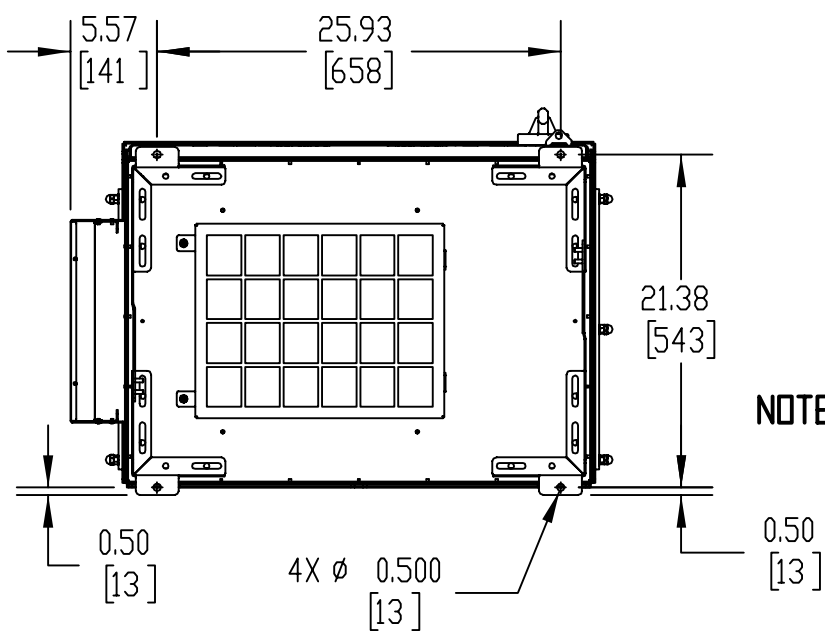
LEG STAND MOUNTING OPTION DIMENSIONS



12" HIGH LEGS



30" HIGH LEGS



NOTE: DRILL PATTERN IS SAME FOR 12" AND 30" LEGS

<h1 style="margin: 0;">YASKAWA</h1>	DRAWN: N. Laws	DATE: 03/04/2021	TITLE: DIMENSION DRAWING, U1000, 3R, W3	
	CHECKED: K. Malusic	DATE: 03/05/2021		
THIS DOCUMENT AND INFORMATION CONTAINED IN IT ARE CONFIDENTIAL, AND CANNOT BE COPIED OR DISCLOSED IN WHOLE OR IN PART WITHOUT THE EXPRESS WRITTEN CONSENT OF YASKAWA AMERICA INC.	TECH:	DATE:	MATERIAL #	
	APPROVED: R. Jensen	DATE: 03/08/2021	SIZE: A	REVISION: 00
	ORIGINAL DESIGNER: N. Laws	DATE: 03/04/2021	PAGE: 3	OF: 3
			DRAWING #: DD.U1E.3R.W3.01	