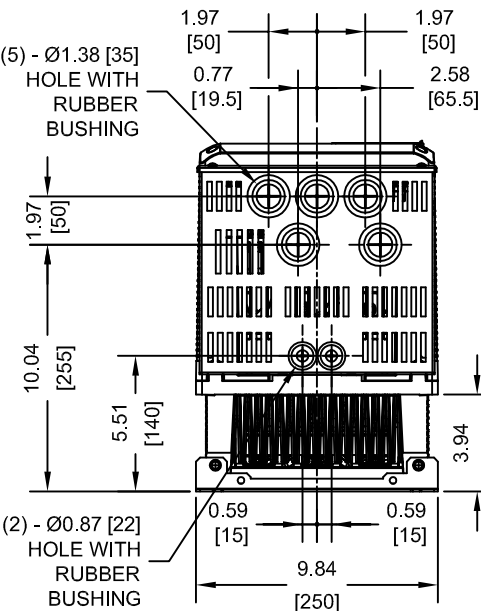
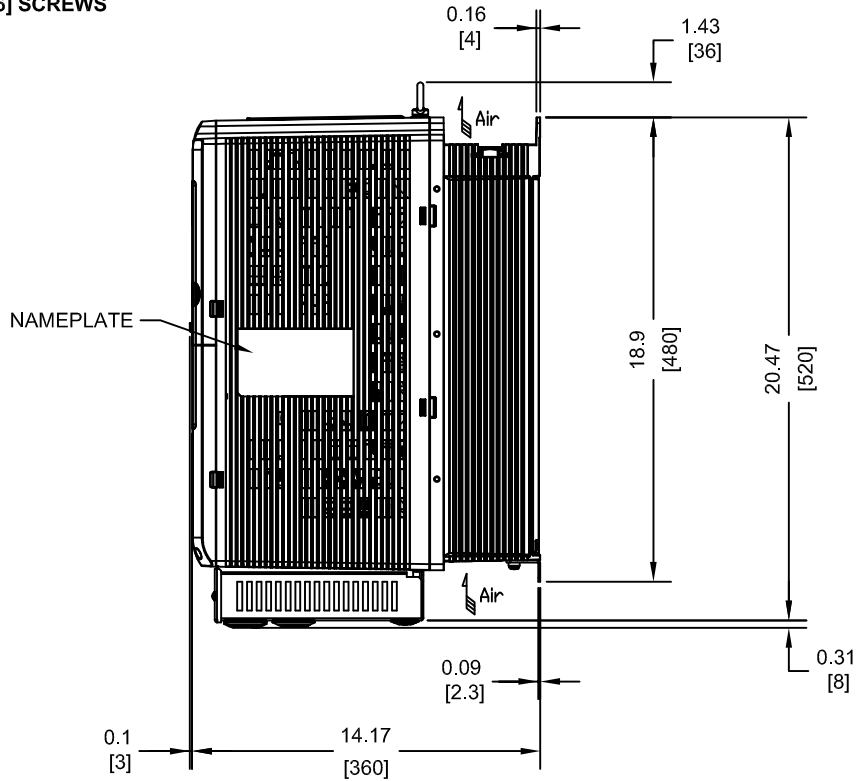
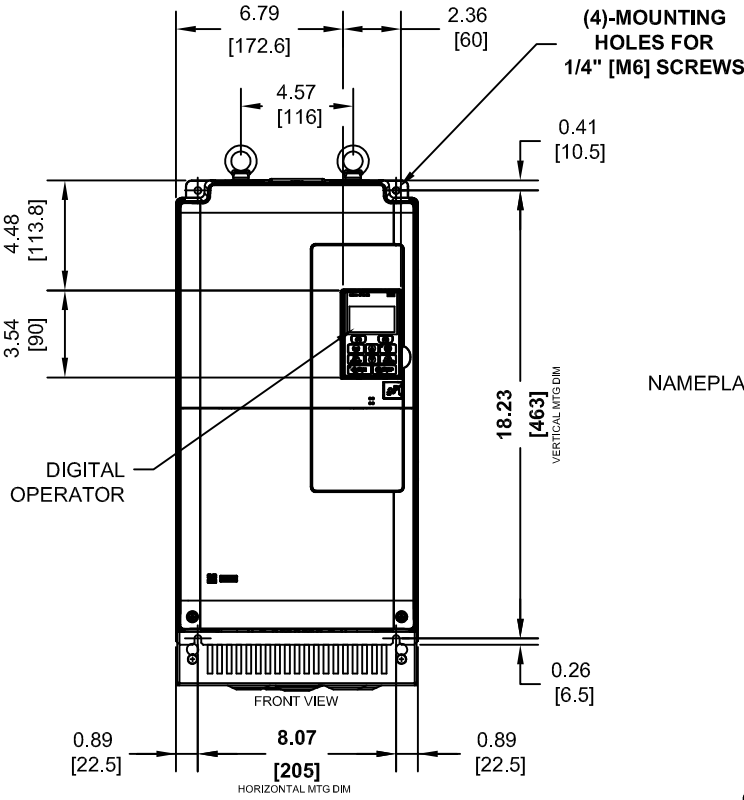
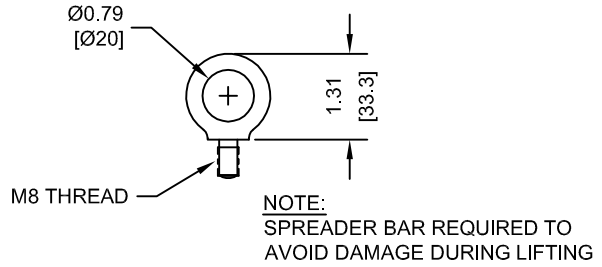


LIFTING AND EYEBOLT DETAILS



THE DIMENSIONS SHOWN ARE FOR AN IP00 OPEN TYPE DRIVE THAT HAS BEEN CONVERTED TO A NEMA TYPE 1 DRIVE BY ADDING THE PARTS FROM NEMA 1 KIT PART NUMBER EZZ022745A

MODEL # CIMR-UU	VOLTAGE 3-PHASE (VAC)	OUTPUT CURRENT (A)		WEIGHT LBS (Kg)	WEIGHT WITH EMC FILTER LBS (Kg)	HEAT LOSS (W)					
		ND	HD			ND (Fc=4kHz)			HD (Fc=4kHz)		
						INT	EXT	TOT	INT	EXT	TOT
2□0028□□□	200/240	28	22	47 (21)	50 (22)	103	659	762	91	543	634
4□0011□□□	380/500*	11	9.6	47 (21)	50 (22)	80	452	532	76	415	491
4□0014□□□		14	11	47 (21)	50 (22)	79	459	538	70	372	442
4□0021□□□		21	14	47 (21)	50 (22)	105	641	746	80	438	518
4□0027□□□		27	21	47 (21)	50 (22)	106	675	781	93	549	642
4□0034□□□		34	27	47 (21)	50 (22)	124	798	922	107	658	765

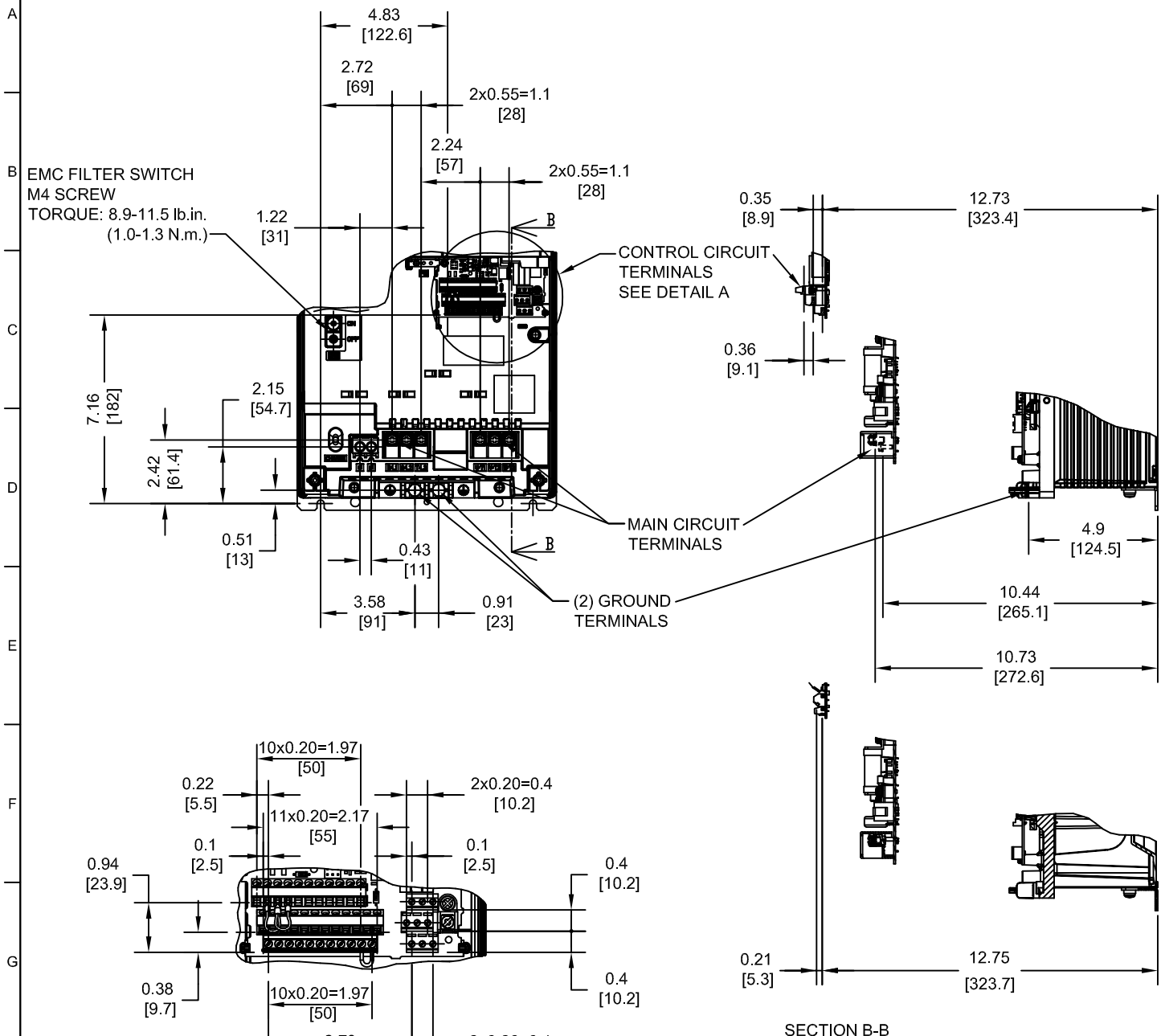
NOTES:  
 □ DENOTES A-Z  
 □□ DENOTES AAA-ZZZ  
 \* - FOR MODELS WITH INTEGRAL EMC FILTER, VOLTAGE RATING IS 380/480.

INT=INTERNAL COMPONENTS  
 EXT=EXTERNAL HEATSINK  
 TOT=TOTAL

FOR ADDITIONAL DETAILS AND SPECIFICATIONS, CONSULT MANUAL

TOLERANCES / REFERENCES:			DRAWN: J. MATTAS CHECKED: J. PIOTROWSKI TECH: J. BORJA APPROVED: J. CAIRO ORIGINAL DESIGN: -	DATE: 4-13-15 DATE: 4-21-15 DATE: 4-22-15 DATE: 4-30-15 DATE: -	TITLE: U1000 DIMENSION DRAWING FRAME SIZE 1 NEMA TYPE 1 ENCLOSURE 2□0028 AND 4□0011 - 4□0034
UNITS: IN[mm]	SCALE: 1:8		THIS DOCUMENT AND INFORMATION CONTAINED IN IT ARE CONFIDENTIAL, AND CANNOT BE COPIED OR DISCLOSED IN WHOLE OR IN PART WITHOUT THE EXPRESS WRITTEN CONSENT OF YASKAWA AMERICA, INC.	SIZE: A REVISION: R00 PAGE: 1 of 3	DRAWING #: DD.U1K.FR1.N1

TERMINAL AND WIRING DETAILS (SCALE 1:6)



DETAIL A (SCALE 1:3)  
CONTROL CIRCUIT TERMINALS

TERMINAL AND WIRE SPECIFICATIONS FOR  
MAIN CIRCUIT AND GROUND

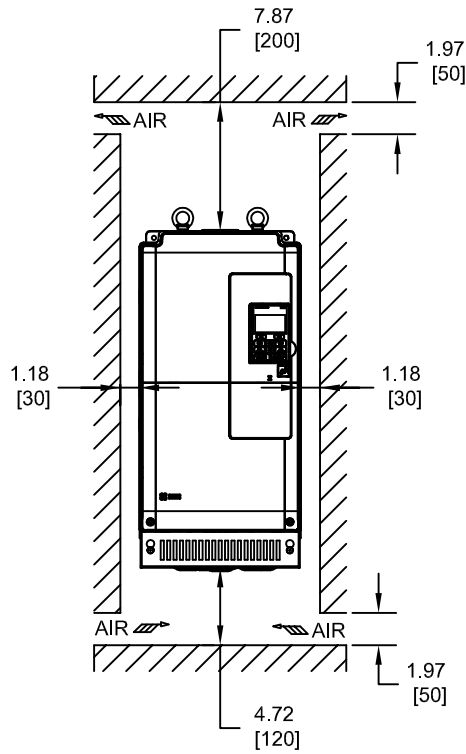
MODEL # CIMR-UU	TERMINAL SYMBOL	TERMINAL SCREW	CLAMPING TORQUE lb.in.(N.m.)	WIRE RANGE AWG(mm <sup>2</sup> )
2□0028	R/L1, S/L2, T/L3	M5	20.4 TO 23.9 (2.3 TO 2.7)	14 TO 8 (2.5 TO 10)
4□0011	U/T1, V/T2, W/T3			
4□0014	p1, n1	M4	8.9 TO 12.4 (1 TO 1.4)	14 TO 12 (2.5 TO 4)
4□0021		M6	34.7 TO 43.4 (3.9 TO 4.9)	10 TO 6 (6 TO 16)
4□0027				
4□0034				

NOTE: REFER TO APPLICABLE CODES FOR PROPER WIRE TYPE AND SIZE

FOR ADDITIONAL DETAILS AND SPECIFICATIONS, CONSULT MANUAL

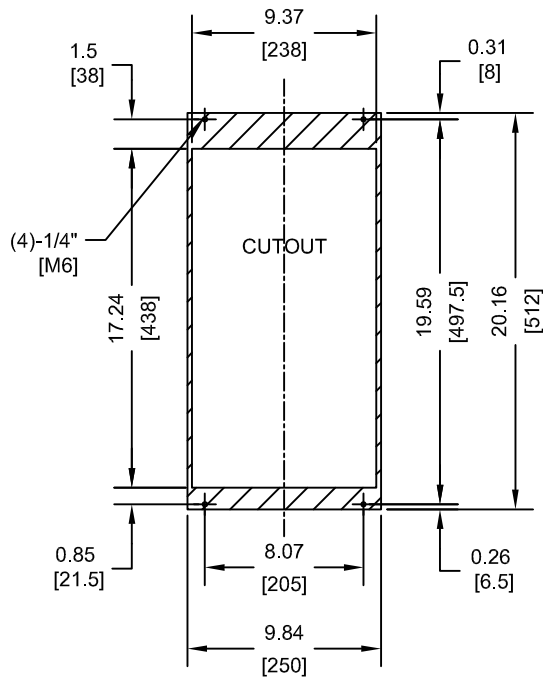
TOLERANCES / REFERENCES:			DRAWN: J. MATTAS DATE 4-13-15	TITLE: U1000 DIMENSION DRAWING FRAME SIZE 1 NEMA TYPE 1 ENCLOSURE 2□0028 AND 4□0011 - 4□0034
UNITS: IN[mm]	SCALE: BY VIEW		CHECKED: J. PIOTROWSKI DATE 4-21-15	TECH: J. BORJA DATE 4-22-15
THIS DOCUMENT AND INFORMATION CONTAINED IN IT ARE CONFIDENTIAL, AND CANNOT BE COPIED OR DISCLOSED IN WHOLE OR IN PART WITHOUT THE EXPRESS WRITTEN CONSENT OF YASKAWA AMERICA, INC.		APPROVED: J. CAIRO DATE 4-30-15	ORIGINAL DESIGN: -	SIZE: A REVISION: R00 PAGE: 2 of 3
			DRAWING #: DD.U1K.FR1.N1	

MINIMUM INSTALLATION CLEARANCES (SCALE 1:12)



NOTE:  
FOR SIDE-BY-SIDE MOUNTING  
CONSULT MANUAL

PANEL CUTOUT FOR EXTERNAL HEATSINK  
MOUNTING CONFIGURATION (SCALE 1:10)



NOTES:  
1. EXTERNAL HEATSINK  
CONFIGURATION REQUIRES  
MOUNTING KIT  
2. EXPOSED HEATSINK  
RECOMMENDED CLEARANCE  
D=4.72"

FOR ADDITIONAL DETAILS AND SPECIFICATIONS, CONSULT MANUAL

TOLERANCES / REFERENCES:			DRAWN: J. MATTAS DATE: 4-13-15	TITLE: U1000 DIMENSION DRAWING FRAME SIZE 1 NEMA TYPE 1 ENCLOSURE 2□0028 AND 4□0011 - 4□0034
			CHECKED: J. PIOTROWSKI DATE: 4-21-15	DATE: 4-22-15
		THIS DOCUMENT AND INFORMATION CONTAINED IN IT ARE CONFIDENTIAL, AND CANNOT BE COPIED OR DISCLOSED IN WHOLE OR IN PART WITHOUT THE EXPRESS WRITTEN CONSENT OF YASKAWA AMERICA, INC.	TECH: J. BORJA DATE: 4-22-15	DATE: 4-30-15
UNITS: IN[mm]	SCALE: BY VIEW		APPROVED: J. CAIRO DATE: 4-30-15	ORIGINAL DESIGN: - DATE: -
			SIZE: A REVISION: R00 PAGE: 3 of 3	DRAWING #: DD.U1K.FR1.N1