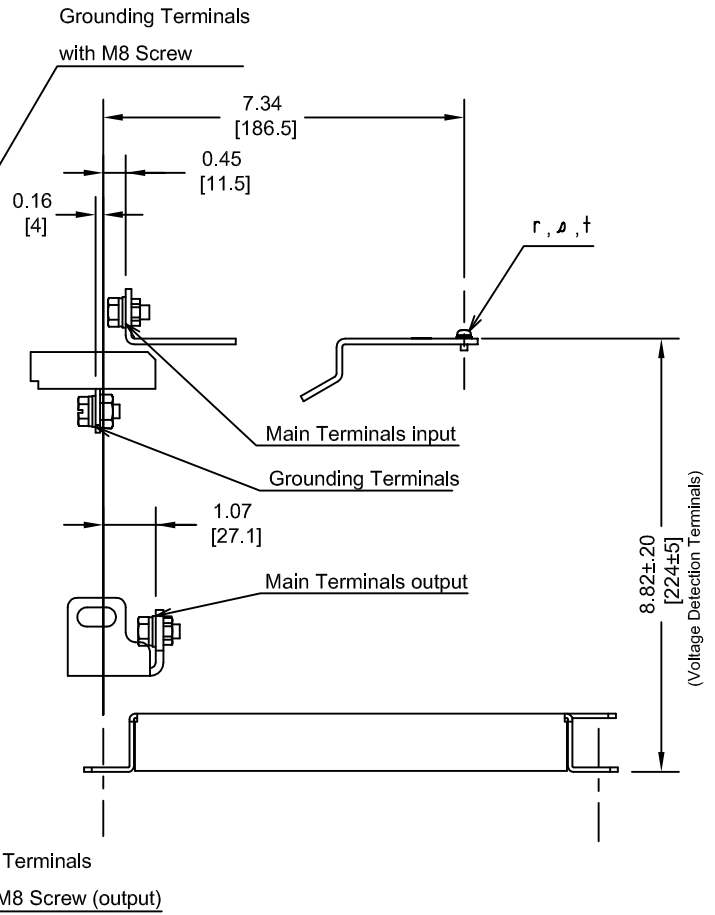
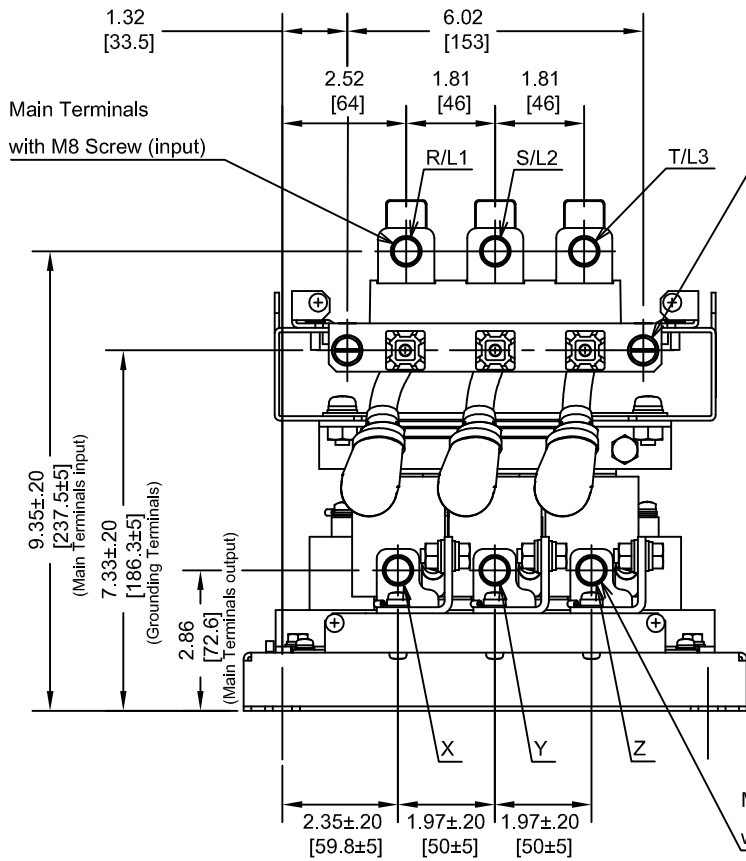
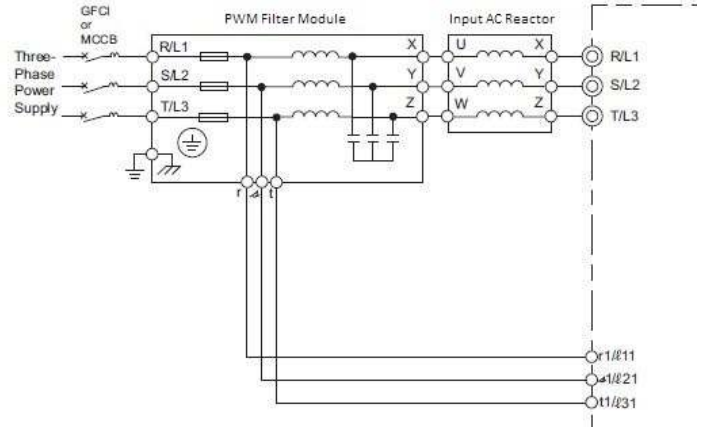
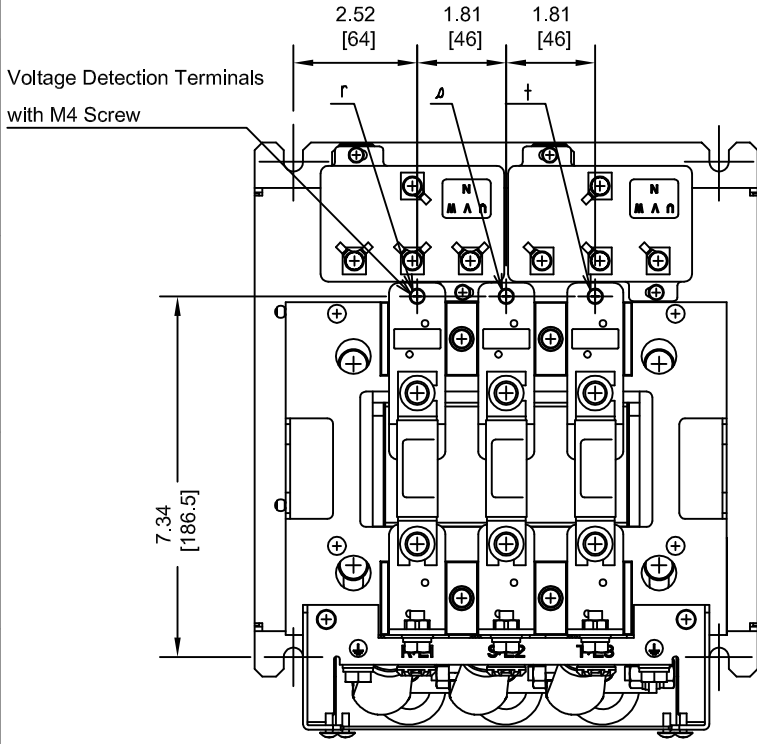


PART #	DESCRIPTION	VOLTAGE (VAC)	CURRENT (A)	WEIGHT LBS (Kg)	HEAT LOSS (W)
UF1000352	EUJ71083X	200/240	83	35.2 (16.0)	89

TOLERANCES / REFERENCES:		<p>YASKAWA</p> <p>THIS DOCUMENT AND INFORMATION CONTAINED IN IT ARE CONFIDENTIAL, AND CANNOT BE COPIED OR DISCLOSED IN WHOLE OR IN PART WITHOUT THE EXPRESS WRITTEN CONSENT OF YASKAWA AMERICA, INC.</p>	DRAWN: J. MATTAS CHECKED: J. PIOTROWSKI TECH: J. BORJA APPROVED: J. CAIRO ORIGINAL DESIGN: -	DATE 7-28-14 DATE 7-30-14 DATE 7-31-14 DATE 9-23-14 DATE -	TITLE: D1000 PWM FILTER MODULE DIMENSION DRAWING UF1000352
UNITS: IN [mm]	SCALE: 1:4		SIZE A	REVISION R00	PAGE 1 of 2
			DRAWING #: DD.UF1000352		

TERMINAL DETAILS
(FRONT COVER AND TOP COVER REMOVED)

ELECTRICAL DIAGRAM



TOLERANCES / REFERENCES:



THIS DOCUMENT AND INFORMATION CONTAINED IN IT ARE CONFIDENTIAL, AND CANNOT BE COPIED OR DISCLOSED IN WHOLE OR IN PART WITHOUT THE EXPRESS WRITTEN CONSENT OF YASKAWA AMERICA, INC.

DRAWN: J. MATTAS

DATE: 7-28-14

TITLE: D1000 PWM FILTER MODULE
DIMENSION DRAWING
UF1000352

CHECKED: J. PIOTROWSKI

DATE: 7-30-14

TECH: J. BORJA

DATE: 7-31-14

APPROVED: J. CAIRO

DATE: 9-23-14

ORIGINAL DESIGN: -

DATE: -

SIZE: A, REVISION: R00, PAGE: 2 of 2

UNITS: IN [mm], SCALE: 1:4

DRAWING #: DD.UF1000352