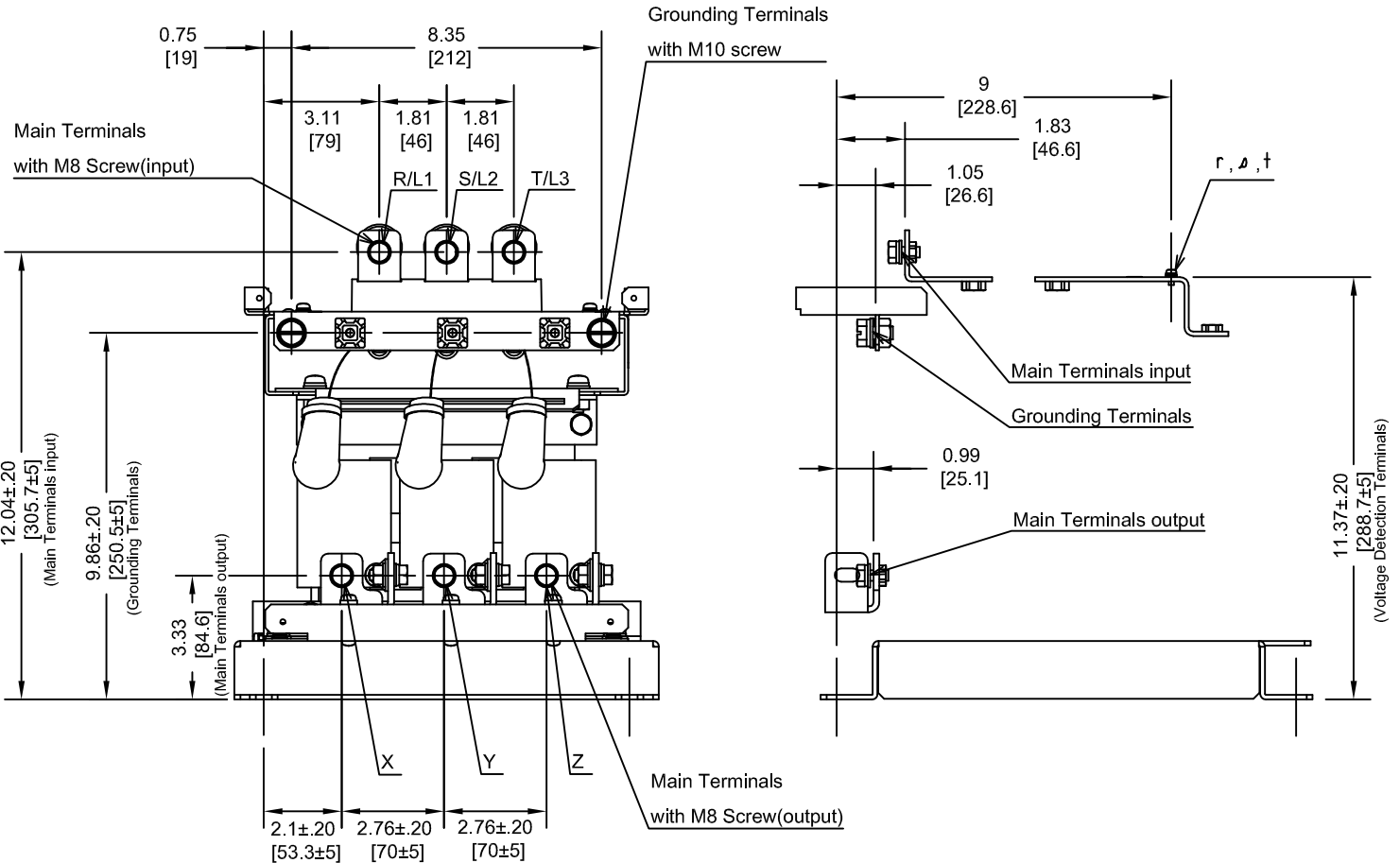
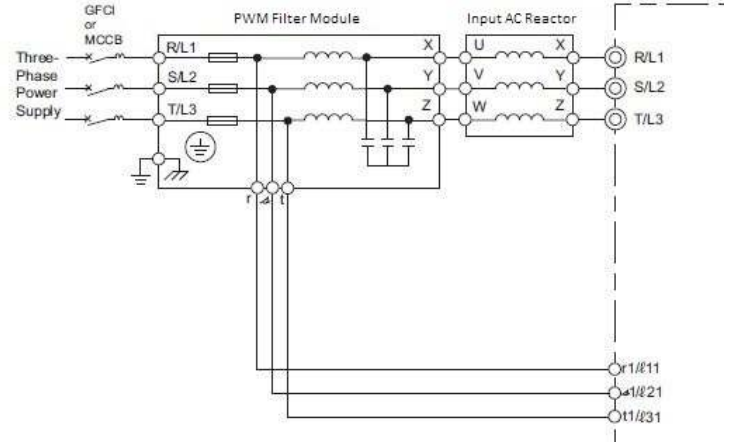
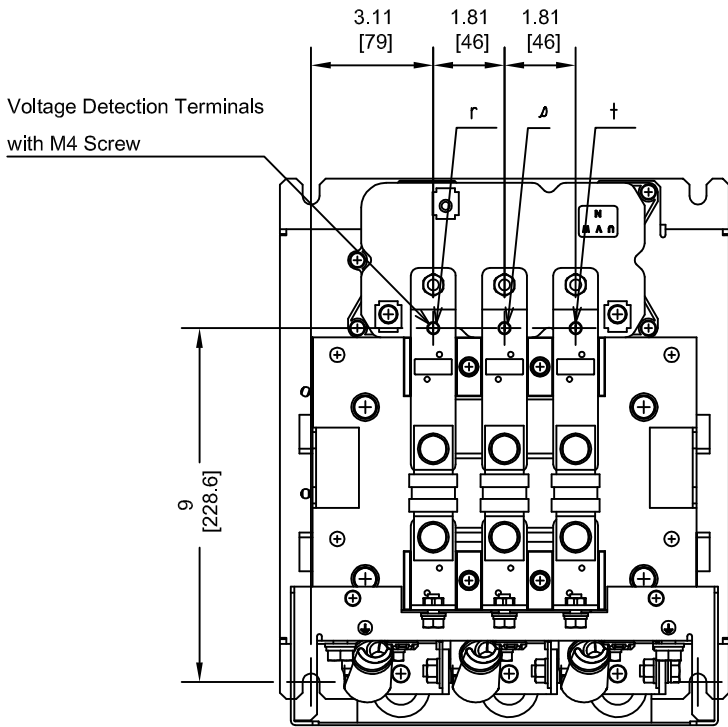


PART #	DESCRIPTION	VOLTAGE (VAC)	CURRENT (A)	WEIGHT LBS (Kg)	HEAT LOSS (W)
UF1000353	EUJ71084X	200/240	140	59.4 (27.0)	122

TOLERANCES / REFERENCES:	<p><b>YASKAWA</b></p> <p>THIS DOCUMENT AND INFORMATION CONTAINED IN IT ARE CONFIDENTIAL, AND CANNOT BE COPIED OR DISCLOSED IN WHOLE OR IN PART WITHOUT THE EXPRESS WRITTEN CONSENT OF YASKAWA AMERICA, INC.</p>	DRAWN: J. MATTAS	DATE: 7-29-14	TITLE: D1000 PWM FILTER MODULE DIMENSION DRAWING UF1000353		
		CHECKED: J. PIOTROWSKI	DATE: 7-30-14			
		TECH: J. BORJA	DATE: 7-31-14			
		APPROVED: J. CAIRO	DATE: 9-23-14			
UNITS: IN [mm]	SCALE: 1:5	ORIGINAL DESIGN: -	DATE: -	SIZE A	REVISION R00	PAGE 1 of 2
				DRAWING #: <b>DD.UF1000353</b>		

TERMINAL DETAILS  
(FRONT COVER AND TOP COVER REMOVED)

ELECTRICAL DIAGRAM



TOLERANCES / REFERENCES:



THIS DOCUMENT AND INFORMATION CONTAINED IN IT ARE CONFIDENTIAL, AND CANNOT BE COPIED OR DISCLOSED IN WHOLE OR IN PART WITHOUT THE EXPRESS WRITTEN CONSENT OF YASKAWA AMERICA, INC.

DRAWN: J. MATTAS	DATE 7-29-14
CHECKED: J. PIOTROWSKI	DATE 7-30-14
TECH: J. BORJA	DATE 7-31-14
APPROVED: J. CAIRO	DATE 9-23-14
ORIGINAL DESIGN:	DATE

TITLE:  
D1000 PWM FILTER MODULE  
DIMENSION DRAWING  
UF1000353

SIZE A	REVISION R00	PAGE 2 of 2
-----------	-----------------	----------------

DRAWING #:  
DD.UF1000353

UNITS:  
IN [mm]

SCALE:  
1:5