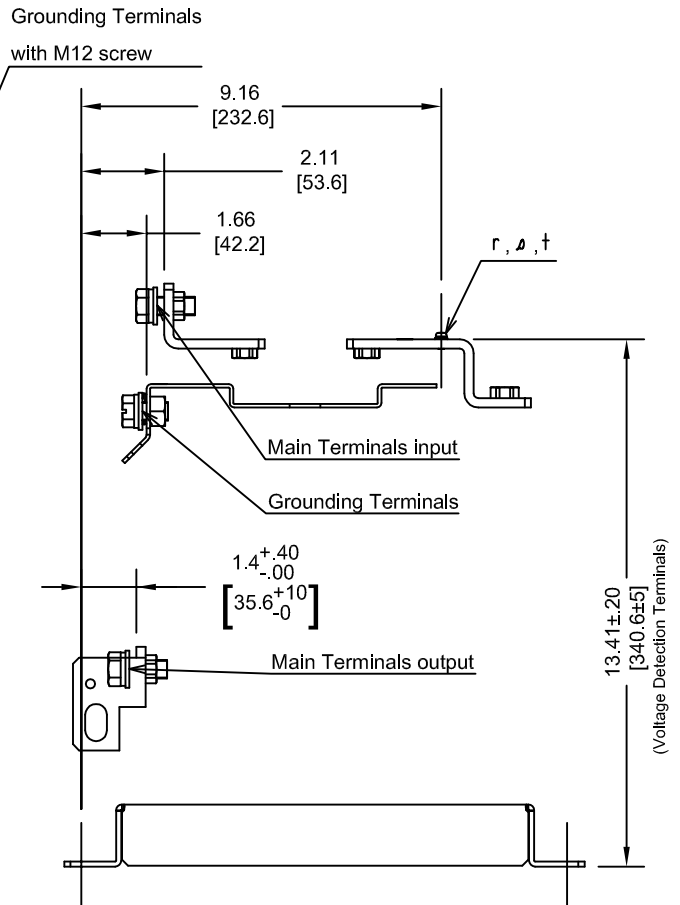
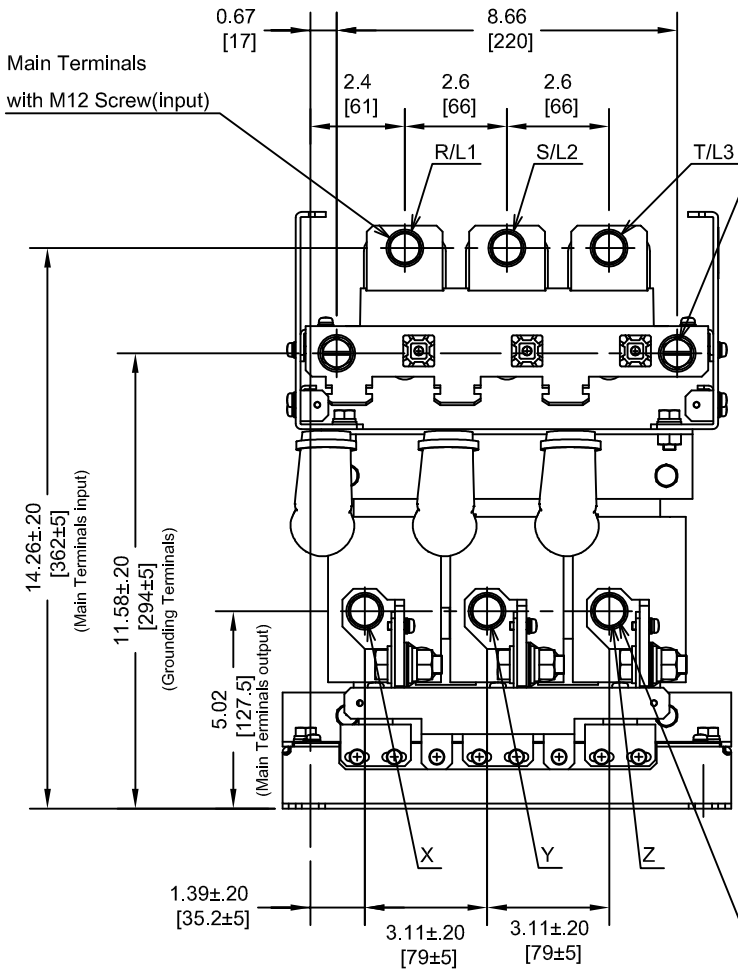
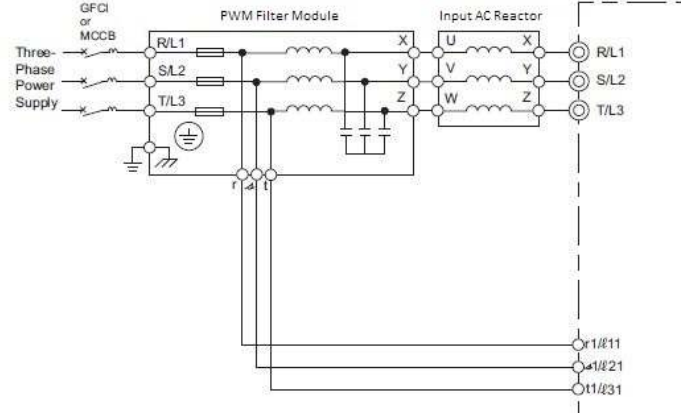
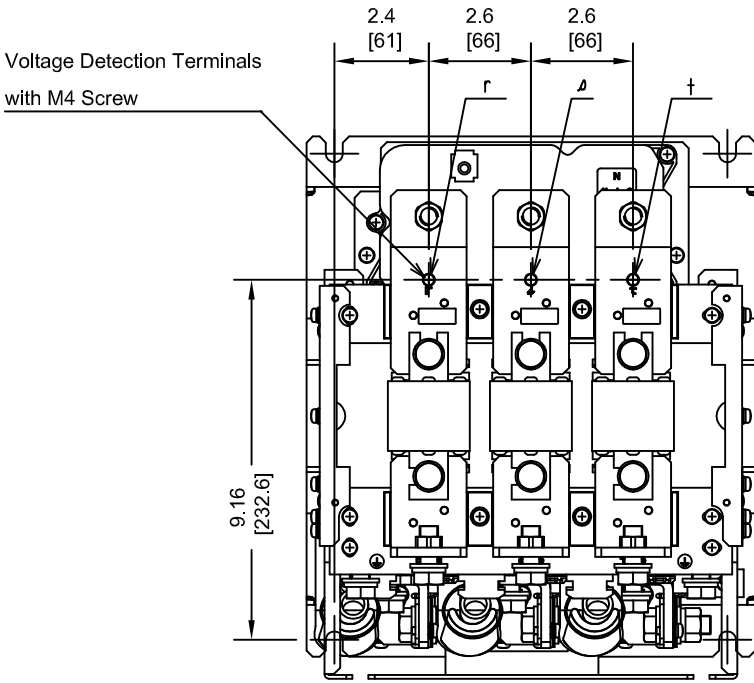


PART #	DESCRIPTION	VOLTAGE (VAC)	CURRENT (A)	WEIGHT LBS (Kg)	HEAT LOSS (W)
UF1000355	EUJ71086X	200/240	270	94.6 (43.0)	156

TOLERANCES / REFERENCES:		<p>THIS DOCUMENT AND INFORMATION CONTAINED IN IT ARE CONFIDENTIAL, AND CANNOT BE COPIED OR DISCLOSED IN WHOLE OR IN PART WITHOUT THE EXPRESS WRITTEN CONSENT OF YASKAWA AMERICA, INC.</p>	DRAWN: J. MATTAS CHECKED: J. PIOTROWSKI TECH: J. BORJA APPROVED: J. CAIRO ORIGINAL DESIGN: -	DATE 7-29-14 DATE 7-30-14 DATE 7-31-14 DATE 9-23-14 DATE -	TITLE: D1000 PWM FILTER MODULE DIMENSION DRAWING UF1000355 SIZE A REVISION R00 PAGE 1 of 2 DRAWING #: DD.UF1000355
UNITS:	SCALE:				
IN[mm]	1:5				

TERMINAL DETAILS  
(FRONT COVER AND TOP COVER REMOVED)

ELECTRICAL DIAGRAM



TOLERANCES / REFERENCES:



THIS DOCUMENT AND INFORMATION CONTAINED IN IT ARE CONFIDENTIAL, AND CANNOT BE COPIED OR DISCLOSED IN WHOLE OR IN PART WITHOUT THE EXPRESS WRITTEN CONSENT OF YASKAWA AMERICA, INC.

DRAWN: J. MATTAS	DATE 7-29-14
CHECKED: J. PIOTROWSKI	DATE 7-30-14
TECH: J. BORJA	DATE 7-31-14
APPROVED: J. CAIRO	DATE 9-23-14
ORIGINAL DESIGN:	DATE

TITLE:  
D1000 PWM FILTER MODULE  
DIMENSION DRAWING  
UF1000355

SIZE A	REVISION R00	PAGE 2 of 2
-----------	-----------------	----------------

DRAWING #:  
DD.UF1000355

UNITS:  
IN [mm]

SCALE:  
1:5